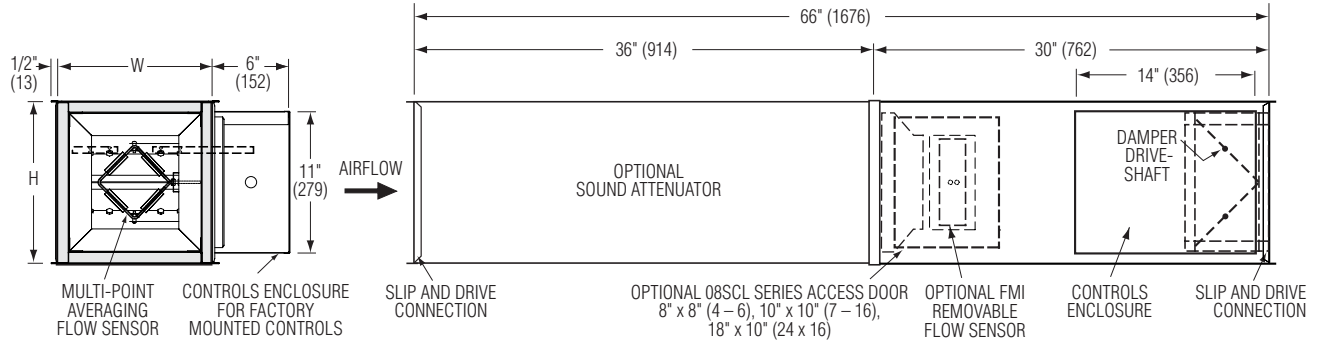




**SINGLE DUCT EXHAUST TERMINAL UNIT WITH
OPTIONAL SOUND ATTENUATOR
DIGITAL CONTROLS
VARIABLE OR CONSTANT VOLUME
MODEL: D30X**



Dimensional Data

Unit Size	Min.- Max. Airflow Range* cfm (l/s)	W	H
4	30 – 210 (14 – 99)	10 (254)	10 (254)
5	50 – 345 (24 – 163)	10 (254)	10 (254)
6	80 – 580 (38 – 274)	10 (254)	10 (254)
7	95 – 680 (45 – 321)	12 (305)	12 1/2 (318)
8	140 – 970 (66 – 458)	12 (305)	12 1/2 (318)
9	170 – 1210 (80 – 571)	14 (356)	12 1/2 (318)
10	220 – 1540 (104 – 727)	14 (356)	12 1/2 (318)
12	320 – 2270 (151 – 1071)	18 (457)	12 1/2 (318)
14	360 – 2520 (170 – 1189)	24 (610)	12 1/2 (318)
16	505 – 3580 (238 – 1689)	28 (711)	12 1/2 (318)
24 x 16	990 – 7000 (467 – 3303)	38 (965)	18 (457)

* Minimum flows are based upon 0.02" w.g. (5 Pa) differential pressure from flow sensor. The maximum flow rate represents the diamond flow sensor's differential pressure reading at 1" w.g. (250 Pa).



Standard Features:

- Venturi valve inlet for reduced pressure drop.
- 22 ga. (0.86) zinc coated steel casing, mechanically sealed, low leakage construction.
- 16 ga. (1.63) corrosion-resistant steel inclined opposed blade damper with extruded PVC seals. 45° rotation, CW to close. Tight close-off. Damper leakage is less than 2% of the terminal rated airflow at 3" w.g. (750 Pa).
- 1/2" (13) dia. plated steel drive shaft. An indicator mark on the end of the shaft shows damper position.
- Multi-point averaging Diamond Flow Sensor. Aluminum construction. Supplied with balancing tees.
- Rectangular inlet and discharge with slip and drive cleat duct connection.
- Full NEMA 1 type controls enclosure for factory mounted controls.

- 3/4" (19) dual density insulation, exposed edges coated to prevent air erosion. Meets the requirements of NFPA 90A and UL 181.
- Right-hand controls location is standard (shown) when looking in direction of airflow. Optional left hand controls mounting is available.

Optional Sound Attenuator Section:

- Mounted on VAV section inlet for quiet operation.
- Same liner as terminal unit.

Digital Controls (by others):

- Factory mount. (See separate submittal)
- Field mount.

Options and Accessories:

- Bottom Mount Control Enclosure (See page 2)
 - Side access door.
 - FMI Removable insert type Diamond Flow Sensor.
 - Steri-Liner.
 - Fiber-Free liner.
 - Solid metal liner.
 - Perforated metal liner.
 - Steri-liner + Perforated metal liner.
 - Factory wrapped inlets and outlets.
 - 24 VAC control transformer.
 - Toggle disconnect switch.
 - Hanger brackets.
 - Controls enclosure for field mounted controls.
 - Dust tight enclosure seal.
- Seismic Certification:
- SSI (Standard)
 - OSHPD
 - Special Features: _____

Page 1 of 2.

Dimensions are in inches (mm).

SCHEDULE TYPE:				
PROJECT:				
ENGINEER:	DATE	B SERIES	SUPERSEDES	DRAWING NO.
CONTRACTOR:	3 - 12 - 18	3000	4 - 10 - 16	D30X



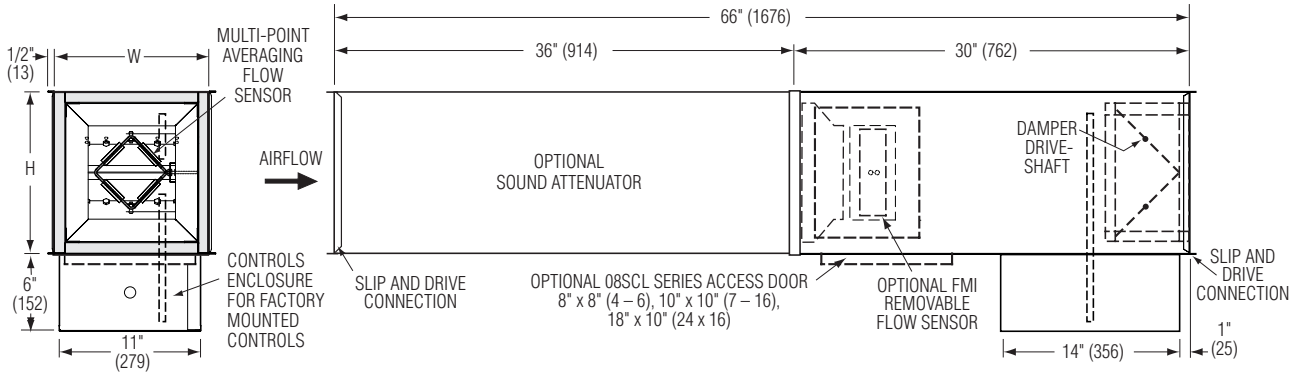
**SINGLE DUCT EXHAUST TERMINAL UNIT WITH
OPTIONAL SOUND ATTENUATOR
DIGITAL CONTROLS
VARIABLE OR CONSTANT VOLUME
MODEL: D30X**

Bottom Mount Control Enclosure (option OB)

- NEMA 1 type, bottom mount controls location with vertical drive shaft.
- 1/2" (13) dia. plated steel drive shaft.

Bottom Mount Access Door.

Note: Optional Access Door will be bottom mounted to allow access to the Diamond Flow Sensor.



SCHEDULE TYPE:	
PROJECT:	
ENGINEER:	
CONTRACTOR:	

Page 2 of 2.
Dimensions are in inches (mm).

DATE	B SERIES	SUPERSEDES	DRAWING NO.
3 - 12 - 18	3000	4 - 10 - 16	D30X