

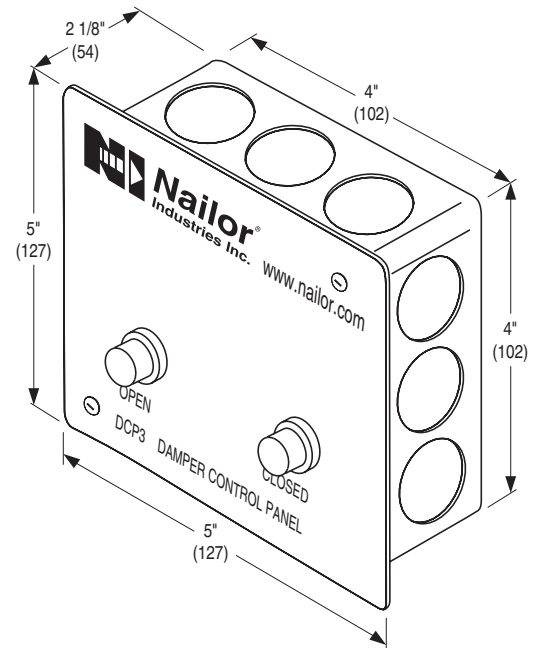


**DAMPER CONTROL PANEL**  
 FOR USE WITH ALL SMOKE AND COMBINATION FIRE/  
 SMOKE DAMPERS  
**MODEL: DCP3 LIGHTS ONLY**

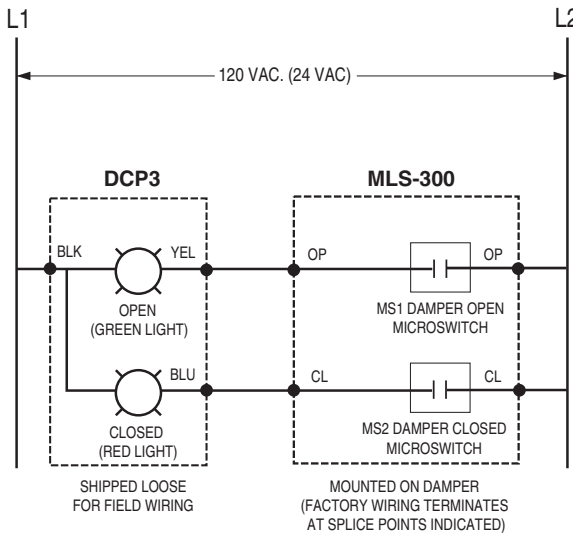
The DCP3 is a single control panel containing indicator lights only and is for use with Nailor Smoke and Combination Fire/Smoke Dampers equipped with the MLS-300 Position Indicator Package. The green light indicates damper is open and the red light indicates damper is closed. Model DCP3 is shipped loose for field mounting and wiring either near the damper or in a remote location.

**VOLTAGE:**

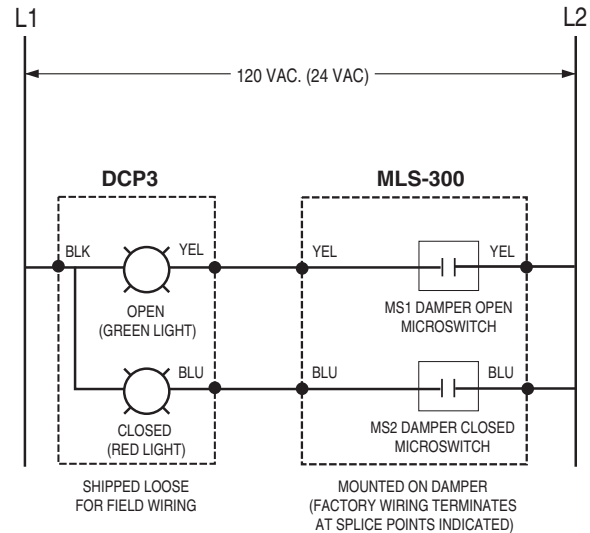
- 120 120 VAC
- 24 24 VAC/DC
- 230 230 VAC



**WIRING DIAGRAMS:**



**DCP3 with MLS-300 Belimo built-in (auxiliary switches) position indicator package**



**DCP3 with MLS-300 (Nailor or Honeywell built-in aux. switches) position indicator package**

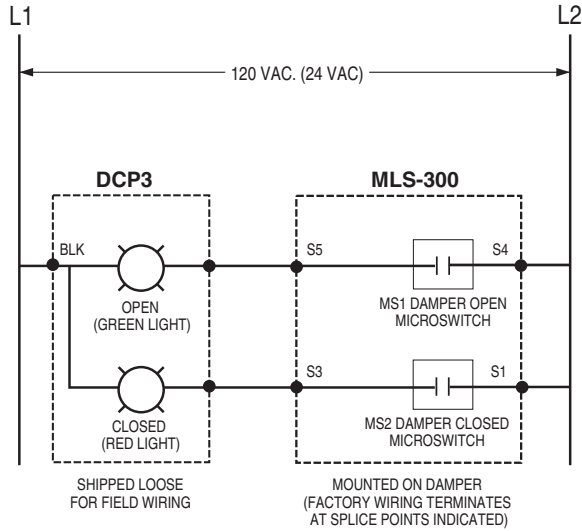
**Belimo Actuator Aux. Switch Wiring Connections**

Model Series	Open (OP)	Closed (CL)
FSTF	Orange / Gray	Violet / Red
FSLF / FSAF	Gray / Gray	Violet / Violet
FSNF / FSAFB	White S4 / S6	White S1 / S2

<b>SCHEDULE TYPE:</b>
<b>PROJECT:</b>
<b>ENGINEER:</b>
<b>CONTRACTOR:</b>

Page 1 of 2  
 Dimensions are in inches (mm).

DATE	B SERIES	SUPERSEDES	DRAWING NO.
9 - 3 - 20	FD-ACC	8 - 8 - 17	DCP3

**WIRING DIAGRAMS:**


**DCP3 with MLS-300 Siemens GJD Series built-in (auxiliary switches) position indicator package**

<b>SCHEDULE TYPE:</b>
<b>PROJECT:</b>
<b>ENGINEER:</b>
<b>CONTRACTOR:</b>

Page 2 of 2  
 Dimensions are in inches (mm).

DATE	B SERIES	SUPERSEDES	DRAWING NO.
9 - 3 - 20	FD-ACC	8 - 8 - 17	DCP3