



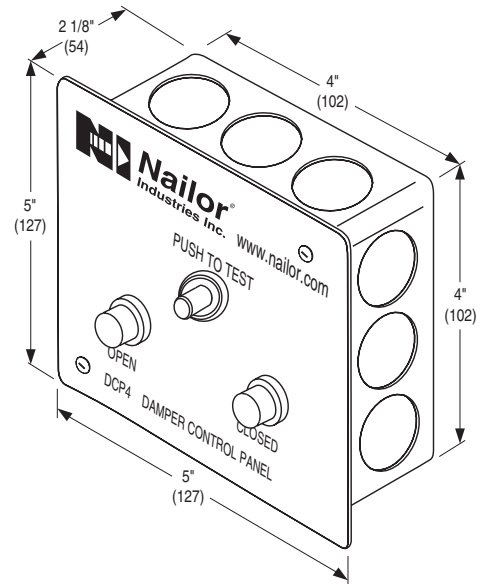
# DAMPER CONTROL PANEL

FOR USE WITH ALL SMOKE AND COMBINATION FIRE/  
SMOKE DAMPERS

**MODEL: DCP4 TEST SWITCH WITH LIGHTS**

The DCP4 is a "momentary" push button operated control panel with indicator lights for use with all Nailor Smoke and Combination Fire/Smoke Dampers. The push button switch provides the ability to "cycle test" the damper by pushing and holding down the button until the damper has cycled closed. The indicator lights on the DCP4 panel provide a visual confirmation of the damper position when connected to the MLS-300 Position Indicator Package.

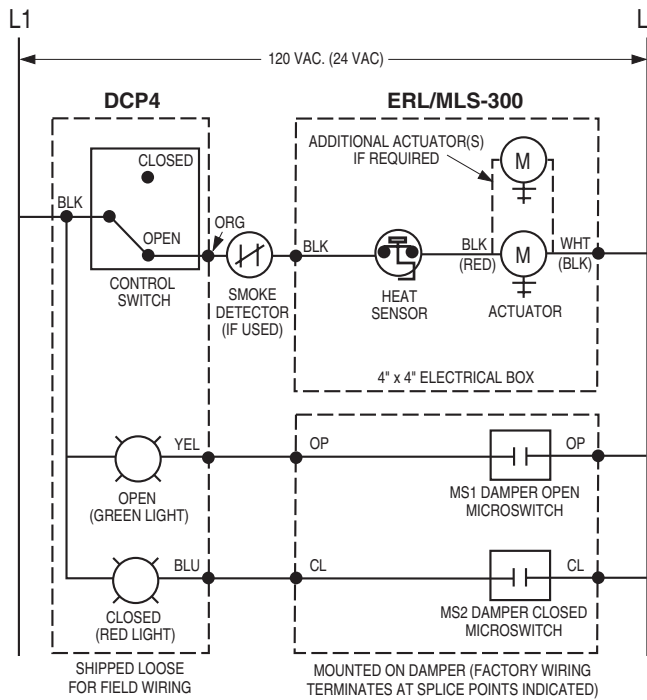
The DCP4 is shipped loose for field mounting and wiring either near the damper or in a remote location.



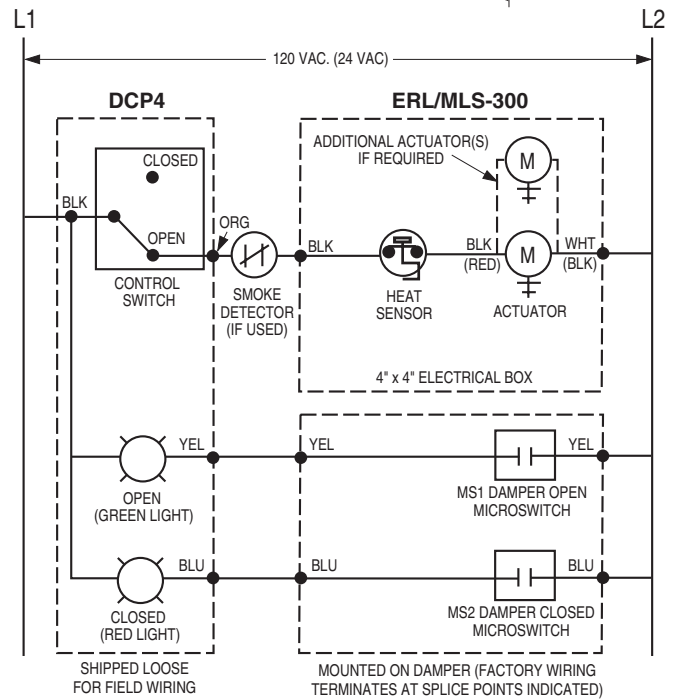
**VOLTAGE:**

- 120 120 VAC
- 24 24 VAC/DC
- 230 230 VAC

**WIRING DIAGRAMS:**



**DCP4 for combination fire/smoke dampers with MLS-300 (Belimo built-in aux. switches) position indicator package**



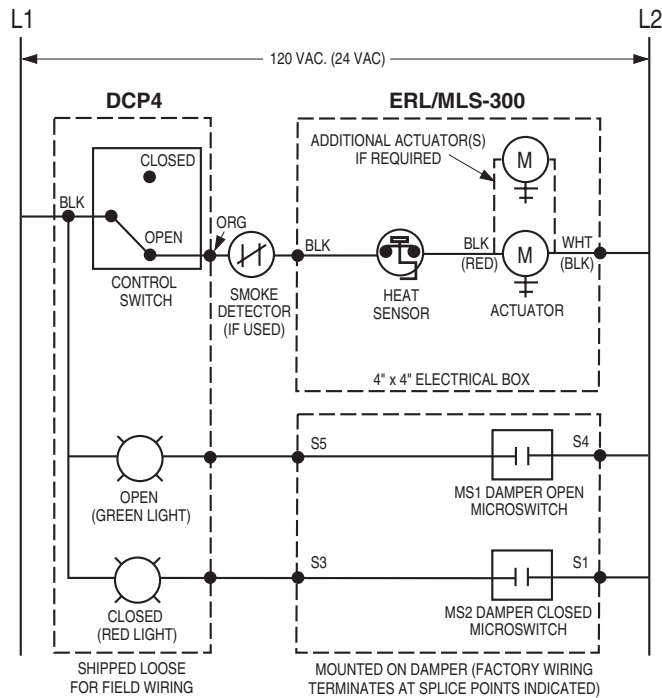
**DCP4 for combination fire/smoke dampers with MLS-300 (Nailor or Honeywell built-in aux. switches) position indicator package**

**Belimo Actuator Aux. Switch Wiring Connections**

Model Series	Open (OP)	Closed (CL)
FSTF	Orange / Gray	Violet / Red
FSLF / FSAF	Gray / Gray	Violet / Violet
FSNF / FSAFB	White S4 / S6	White S1 / S2

<b>SCHEDULE TYPE:</b>	<p style="text-align: right;">Page 1 of 2 Dimensions are in inches (mm).</p> <table border="1" style="width: 100%;"> <tr> <th>DATE</th> <th>B SERIES</th> <th>SUPERSEDES</th> <th>DRAWING NO.</th> </tr> <tr> <td>9 - 3 - 20</td> <td>FD-ACC</td> <td>8 - 8 - 17</td> <td>DCP4</td> </tr> </table>				DATE	B SERIES	SUPERSEDES	DRAWING NO.	9 - 3 - 20	FD-ACC	8 - 8 - 17	DCP4
DATE					B SERIES	SUPERSEDES	DRAWING NO.					
9 - 3 - 20					FD-ACC	8 - 8 - 17	DCP4					
<b>PROJECT:</b>												
<b>ENGINEER:</b>												
<b>CONTRACTOR:</b>												

**WIRING DIAGRAMS:**



**DCP4 for combination fire/smoke dampers with MLS-300 Siemens GJD Series built-in (auxiliary switches) position indicator package**

<b>SCHEDULE TYPE:</b>				
<b>PROJECT:</b>				
<b>ENGINEER:</b>	<b>DATE</b>	<b>B SERIES</b>	<b>SUPERSEDES</b>	<b>DRAWING NO.</b>
<b>CONTRACTOR:</b>	9 - 3 - 20	FD-ACC	8 - 8 - 17	DCP4