



FLOWLINE™ LINEAR SLOT DIFFUSERS

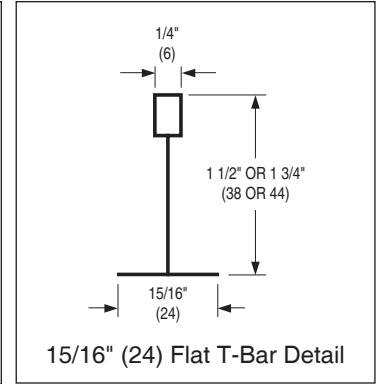
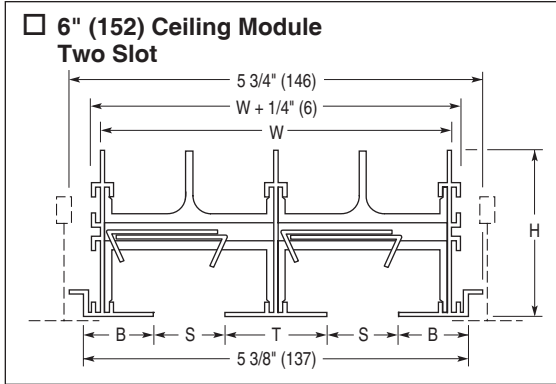
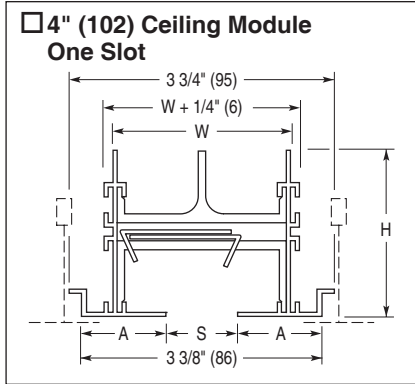
ARCHITECTURAL • ALUMINUM

FOR TECHZONE™ TYPE CEILINGS 4" (102) & 6" (152) WIDE

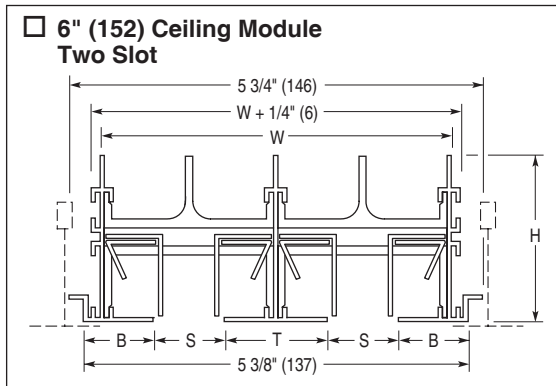
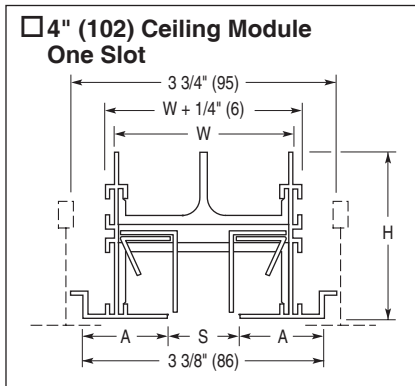
MODEL SERIES FLH-TZ AND FLV-TZ

TYPE LT 15/16" (24) STANDARD T-BAR

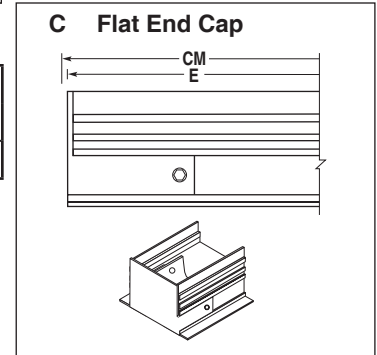
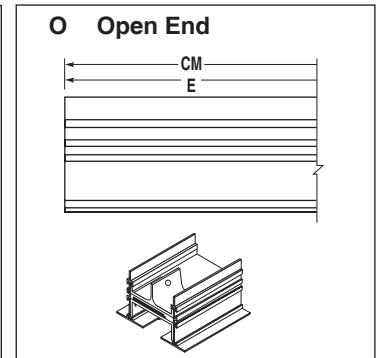
FLH-TZ Horizontal High Throw Pattern Controllers



FLV-TZ Vertical Jet Throw Pattern Controllers



End Condition



Dimensional Data - Imperial (Metric) Units

Model	S Slot Width	1 Slot	2 Slot	Border Width		H Height	T 2 Slot
		W	W	A	B		
FL(H or V)10TZ	1 (25)	2 1/2 (64)	4 15/16 (125)	1 3/16 (30)	31/32 (25)	2 3/8 (60)	1 7/16 (37)

Notes:

- Compatible with Armstrong® Techzone™ and USG Logix™ ceiling systems.
- Material: Heavy duty extruded aluminum frame and spacers. Corrosion-resistant steel pattern controllers.
- Available in 24" (610), 30" (762), 36" (914), 48" (1219), 60" (1524) and 72" (1829) standard module lengths. Ends are finished with Type CC flat end caps. Also available in multiple section assemblies with alignment pins for continuous run applications. Maximum section length is 72" (1823) by default. 96" (2438) and 120" (3048) are available as options. Lengths longer than the maximum section length are furnished in multiple sections.
- Adjustable pattern controllers are on max. 24" (610) centers.
- This model is compatible with standard 15/16" (24) flat T-Bar. The Flowline® diffuser lays flush on the T-Bars.
- Integral hanger brackets on 24" (610) centers. See separate submittal for optional mounting hardware and accessories.

Options:

- FLP Factory Supplied Plenum (see separate submittal)
- SP Special Finish _____.

End Condition	Face Length E
CC	Ceiling Module – 1/4" (6)
OC	Ceiling Module – 1/8" (3)
OO	Ceiling Module

CM = Ceiling Module
E = Overall length

SCHEDULE TYPE:				
PROJECT:				
Dimensions are in inches (mm).				
ENGINEER:	DATE	B SERIES	SUPERSEDES	DRAWING NO.
CONTRACTOR:	3 - 3 - 22	FL	10 - 9 - 14R	FL-TZ-1