



**FLOWLINE™ LINEAR DIFFUSER PLENUMS WITH
CABLE OPERATED INLET DAMPER
FLOWLINE™ LINEAR SLOT DIFFUSER ACCESSORY
MODEL SERIES: FLP WITH IDCO OPTION**

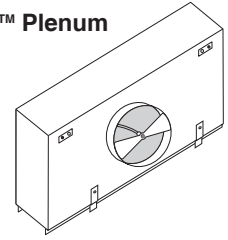
Uninsulated Models:

- FLP10 • 1" (25) Slot
- FLP15 • 1 1/2" (38) Slot
- FLP20 • 2" (51) Slot
- FLP25 • 2 1/2" (64) Slot
- FLP30 • 3" (76) Slot

Internally Insulated Models:

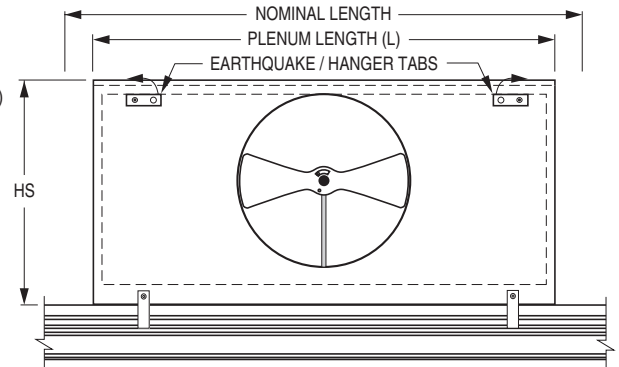
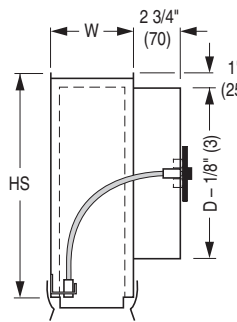
- FLPI10 • 1" (25) Slot
- FLPI15 • 1 1/2" (38) Slot
- FLPI20 • 2" (51) Slot
- FLPI25 • 2 1/2" (64) Slot
- FLPI30 • 3" (76) Slot

Flowline™ Plenum



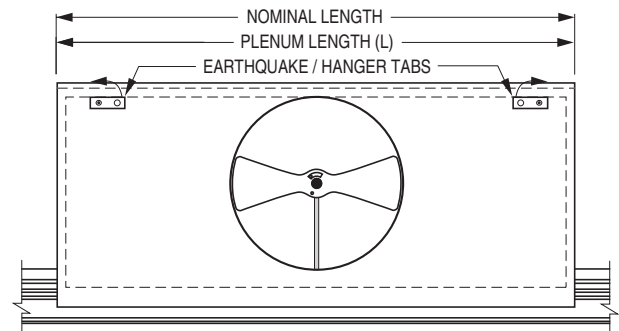
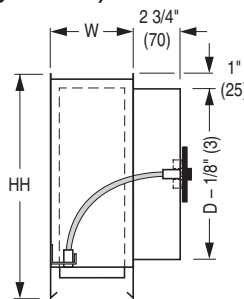
- Straight Leg (Direct Attachment)**
For use with Frame / Border Types AA, CA, CC, CCA, CG, GG, GJ, KK, LT, NT

Inlet Size D (Round)	Plenum Height HS	
	1 Slot	2 Slot
6 (152), 8 (203)	10 (254)	16 (406)
10 (254)	13 (330)	16 (406)
12 (305)	15 (381)	16 (406)
14 (356)	17 (432)	17 (432)



- Hemmed Leg (For concealed mounting bracket)**
For use with Frame / Border Types AAC, CCC, CCCA

Inlet Size D (Round)	Plenum Height HH	
	1 Slot	2 Slot
6 (152), 8 (203)	12 (305)	18 (457)
10 (254)	13 (330)	18 (457)
12 (305)	15 (381)	18 (457)
14 (356)	17 (432)	18 (457)



Dimensional Data

Nominal Length	Actual Plenum Length (L) for Frame/Border Type	
	AA, CA, CC, CCA, CG, GG, GJ, KK, LT, NT	AAC, CCC, CCCA
24 (610)	20 3/4 (527)	24 (610)
30 (762)	26 3/4 (679)	30 (762)
36 (914)	32 3/4 (832)	36 (914)
48 (1219)	44 3/4 (1137)	48 (1219)
60 (1524)	56 3/4 (1441)	60 (1524)
72 (1829)	68 3/4 (1746)	72 (1829)

Plenum Model	Width (W) for Frame/Border Type Noted			
	AA, CA, CC, CCA, CG, GG, GJ, KK, LT, NT		AAC, CCC, CCCA	
	1 Slot	2 Slot	1 Slot	2 Slot
FLP(l)10	2 3/4 (70)	5 3/16 (132)	3 1/2 (89)	5 15/16 (151)
FLP(l)15	3 3/4 (95)	7 3/16 (183)	4 1/2 (114)	7 15/16 (202)
FLP(l)20	4 3/4 (121)	9 3/16 (233)	5 1/2 (140)	9 15/16 (252)
FLP(l)25	5 3/4 (146)	11 3/16 (284)	6 1/2 (165)	11 15/16 (303)
FLP(l)30	6 3/4 (171)	13 3/16 (335)	7 1/2 (191)	13 15/16 (354)

Notes:

- Heavy gauge corrosion-resistant steel construction.
- Earthquake tabs are standard.
- Straight leg plenums are supplied with spring clips.
- The round inlet damper is Nailor's 4250 radial sliding blade design factory mounted on the inlet. A flexible rotary cable connects the damper to a Phillips head screw operator mounted inside the plenum that permits air balancing at the diffuser face.

Options:

- EX External Foil Back Insulation.

SCHEDULE TYPE

PROJECT

ENGINEER

CONTRACTOR

Dimensions are in inches (mm).

DATE

B SERIES

SUPERSEDES

DRAWING NO.

4 - 13 - 21

FL

1 - 26 - 21

FLP-2