



DEPARTMENT OF REGULATORY AND ECONOMIC RESOURCES (RER)  
BOARD AND CODE ADMINISTRATION DIVISION  
**NOTICE OF ACCEPTANCE (NOA)**

MIAMI-DADE COUNTY  
PRODUCT CONTROL SECTION  
11805 SW 26 Street, Room 208  
Miami, Florida 33175-2474  
T (786) 315-2590 F (786) 315-2599  
[www.miamidade.gov/building](http://www.miamidade.gov/building)

**Nailor Industries Inc.**  
4714 Winfield Road  
Houston, TX 77039

**SCOPE:** This NOA is being issued under the applicable rules and regulations governing the use of construction materials. The documentation submitted has been reviewed and accepted by Miami-Dade County RER-Product Control Section to be used in Miami Dade County and other areas where allowed by the Authority Having Jurisdiction (AHJ).

This NOA shall not be valid after the expiration date stated below. The Miami-Dade County Product Control Section (In Miami Dade County) and/or the AHJ (in areas other than Miami Dade County) reserve the right to have this product or material tested for quality assurance purposes. If this product or material fails to perform in the accepted manner, the manufacturer will incur the expense of such testing and the AHJ may immediately revoke, modify, or suspend the use of such product or material within their jurisdiction. RER reserves the right to revoke this acceptance if it is determined by Miami-Dade County Product Control Section that this product or material fails to meet the requirements of the applicable building code.

This product is approved as described herein and has been designed to comply with the Florida Building Code, including the High Velocity Hurricane Zone.

**DESCRIPTION: Model 1609HM Aluminum Louver System**

**APPROVAL DOCUMENT:** Drawing No. 1609HM-NOA, titled "BOM, Notes, Anchors, Elevation, Mull Details, Assembly Details, Head/Sill, Jamb, Profiles", sheets 1 through 7 of 7, prepared by manufacturer, dated 05/27/2021, signed and sealed by Lucas A. Turner, P.E. on 03/07/2024, bearing the Miami-Dade County Product Control Approval stamp with the Notice of Acceptance number and expiration date by the Miami-Dade County Product Control Section.

**MISSILE IMPACT RATING: Large and Small Missile Impact Resistant**

**LABELING:** Each unit shall bear a permanent label with the manufacturer's name or logo, Houston, TX, model/series, and following statement: "Miami-Dade County Product Control Approved", unless otherwise noted herein.

**LIMITATION:** This system is to be installed in a location where the room behind the louver is designed to drain water penetrating into the room, and the room will house water resistant/waterproof equipment, components, or supplies.

**RENEWAL** of this NOA shall be considered after a renewal application has been filed and there has been no change in the applicable building code negatively affecting the performance of this product.

**TERMINATION** of this NOA will occur after the expiration date or if there has been a revision or change in the materials, use, and/or manufacture of the product or process. Misuse of this NOA as an endorsement of any product, for sales, advertising or any other purposes shall automatically terminate this NOA. Failure to comply with any section of this NOA shall be cause for termination and removal of NOA.

**ADVERTISEMENT:** The NOA number preceded by the words Miami-Dade County, Florida, and followed by the expiration date may be displayed in advertising literature. If any portion of the NOA is displayed, then it shall be done in its entirety.

**INSPECTION:** A copy of this entire NOA shall be provided to the user by the manufacturer or its distributors and shall be available for inspection at the job site at the request of the Building Official.

This NOA consists of this page 1 and evidence page E-1, as well as approval document mentioned above. The submitted documentation was reviewed by **Carlos M. Utrera, P.E.**



05/09/24

NOA No. 23-0823.05  
Expiration Date: April 4, 2029  
Approval Date: April 4, 2024  
Page 1

**NOTICE OF ACCEPTANCE: EVIDENCE SUBMITTED**

**A. DRAWINGS**

1. Drawing No. **1609HM-NOA**, titled “BOM, Notes, Anchors, Elevation, Mull Details, Assembly Details, Head/Sill, Jamb, Profiles”, sheets 1 through 7 of 7, prepared by manufacturer, dated 05/27/2021, signed and sealed by Lucas A. Turner, P.E. on 03/07/2024.

**B. TESTS**

1. Test reports on: 1) Uniform Static Air Pressure Test, Loading per FBC, TAS 202-94  
2) Large Missile Impact Test per FBC, TAS 201-94  
3) Cyclic Wind Pressure Loading per FBC, TAS 203-94  
along with installation diagram of Model 1609HM Louver Systems, prepared by Intertek, Test Report No. **K4977.01-801-18-r1**, dated 02/04/2022, revised on 05/23/2022, signed and sealed by Tyler Westerling, P.E.
2. Test Report on Test Method for Louvers Impacted by Wind Borne Debris per ANSI/AMCA 540-13 on a Model 1609HM Aluminum Louver Systems, prepared by Intertek, Test Report No. **K4975.01-801-18-R2**, dated 06/28/2021, revised on 01/04/2022, signed and sealed by Tyler Westerling, P.E.
3. Test Report on High Velocity Wind Driven Rain Resistance per ANSI/AMCA 550-15 on a Model 1609HM Aluminum Louver System, prepared by Intertek, Test Report No. **K4976.01-801-44-R2**, dated 05/06/2021, revised on 01/21/2022, signed and sealed by Tyler Westerling, P.E.

**C. CALCULATIONS**

1. Louver structural calculations, dated 08/09/2023, prepared by Turner Engineering Consulting, Inc., signed and sealed by Lucas A. Turner, P.E.

**D. QUALITY ASSURANCE**

1. Miami-Dade Department of Regulatory and Economic Resources (RER).

**E. MATERIAL CERTIFICATIONS**

1. None.

**F. STATEMENTS**

1. Statement letter of code conformance to the **FBC, 7<sup>th</sup> Edition (2020)** and **FBC, 8<sup>th</sup> Edition (2023)**, issued by Turner Engineering Consulting, Inc., dated 08/09/2023, signed and sealed by Lucas A. Turner, P.E.
2. Statement letter of no financial interest issued by Turner Engineering Consulting, Inc., dated 08/09/2023, signed and sealed by Lucas A. Turner, P.E.



---

**Carlos M. Utrera, P.E.**  
**Product Control Examiner**  
**NOA No. 23-0823.05**  
**Expiration Date: April 4, 2029**  
**Approval Date: April 4, 2024**

**GENERAL NOTES**

1. THE 1609HM LOUVER SYSTEM SHOWN IN THE CONFIGURATIONS HEREIN IS DESIGNED AND MANUFACTURED TO COMPLY WITH THE REQUIREMENTS OF THE 8TH EDITION (2023) FLORIDA BUILDING CODE INCLUDING THE HIGH VELOCITY HURRICANE ZONE PROVISIONS, FOR APPLICATIONS WITH DESIGN PRESSURE (ASD) REQUIREMENTS OF 160 PSF OR LESS.
2. THIS PRODUCT HAS BEEN TESTED IN ACCORDANCE WITH TAS 100A, TAS 201, TAS 202, TAS 203, AMCA 540 AND AMCA 550. FOR FULL PRODUCT TESTING DETAILS SEE INTERTEK TEST REPORTS K4975.01-801-18-R2, K4976.01-801-44-R2, AND K4977.01-801-18-R1.
3. THIS PRODUCT AS SHOWN IN THIS DRAWING IS MISSILE LEVEL E (9 LB 2X4, 80 FPS) LARGE MISSILE IMPACT RESISTANT, AND DOES NOT REQUIRE THE USE OF IMPACT PROTECTIVE DEVICES (SHUTTERS) IN WINDBORNE DEBRIS REGIONS.
4. THIS LOUVER SYSTEM HAS BEEN TESTED IN ACCORDANCE WITH TAS 100A TO PREVENT WIND-DRIVEN RAIN FROM PENETRATING THE SPACE BEHIND THE LOUVER FOR WIND SPEEDS UP TO 110 MPH AND INSTALLATION IN HEIGHTS UP TO 33 FT.
5. THIS LOUVER SYSTEM IS NON-BEARING AND IS NOT DESIGNED TO WITHSTAND BUILDING DEAD LOADS.
6. THE 4/3 ALLOWABLE STRESS INCREASE FACTOR (SHORT-TERM INCREASE FACTOR) HAS NOT BEEN USED IN THE ANCHOR ANALYSIS FOR THIS SYSTEM. THE 1.6 Cd FACTOR WAS USED IN THE ANALYSIS OF ANCHORAGE INTO WOOD SUBSTRATE.
7. THE OPENING SUBSTRATE MATERIALS (FRAMING, MASONRY, BUCKS) AND ATTACHMENT OF BUCKS TO THE SUBSTRATE ARE BY OTHERS AND SHALL BE VERIFIED BY THE ARCHITECT OR ENGINEER OF RECORD OR AS APPROVED BY THE AUTHORITY HAVING JURISDICTION (AHJ). BUCKING, OPENINGS, & BUCKING FASTENERS MUST BE PROPERLY DESIGNED & INSTALLED BY OTHERS IN ACCORDANCE WITH THE FBC TO TRANSFER SUPERIMPOSED LOADS TO THE STRUCTURE.
8. DISSIMILAR MATERIALS THAT COME INTO CONTACT SHALL BE COATED OR OTHERWISE PROTECTED TO PREVENT GALVANIC REACTIONS. WOOD BUCKS, IF USED, SHALL BE PRESSURE TREATED, WITH EITHER A TREATMENT OR COATING COMPATIBLE WITH THIS PRODUCT.
9. ANCHORAGE NOTES: INSTALL PRODUCTS WITH MAXIMUM SHIM GAP, MINIMUM EDGE DISTANCE AND EMBEDMENT, AND WITH FASTENER TYPE AS SHOWN IN THE DETAILS AND AS INDICATED IN TABLE 1 FOR THE APPROPRIATE SUBSTRATE, OR AS APPROVED, SIGNED, AND SEALED BY A FLORIDA-REGISTERED PROFESSIONAL ENGINEER ON A SITE-SPECIFIC BASIS. ALL ANCHORS USED SHALL BE OF A MATERIAL OR HAVE A COATING COMPATIBLE WITH THE OPENING SUBSTRATE AND ALL OTHER LOUVER MATERIALS. INSTALL ONE ANCHOR AT EACH LOCATION SHOWN IN THE ELEVATION. INSTALL SHIMS AT EACH ANCHOR LOCATION WHERE A GAP OF 1/16" OR GREATER EXISTS BETWEEN PRODUCT FRAME AND SUBSTRATE. SHIMS SHALL BE LOAD-BEARING (PLASTIC OR METALLIC) AND CAPABLE OF TRANSFERRING LOADS TO SUBSTRATE. SPECIFIED ANCHOR EMBEDMENT TO SUBSTRATE SHALL BE BEYOND WALL FINISH OR STUCCO.

TABLE 1. INSTALLATION ANCHOR REQUIREMENTS (NOTE: THIS TABLE APPLIES TO ANCHORAGE OF BOTH 1.5X2 AND 5X6 ANGLES)						
ANCHOR ID	OPENING SUBSTRATE	ANCHOR TO OPENING FASTENER TYPE	MINIMUM EMBEDMENT	MINIMUM EDGE DISTANCE	MAX. O.C. DISTANCE, ATTACHMENT OF 1.5X2X1/8 ANGLE	MAX. O.C. DISTANCE, ATTACHMENT OF 5X6X3/8 ANGLE
A	SOLID UNCRACKED CONCRETE (4000 PSI MIN.)	3/8" DEWALT COATED CARBON STEEL SCREW-BOLT+	2 1/2"	1 1/2"	3 1/4"	9"
B	GROUT- FILLED CMU (ASTM C-90 WITH 1,500 PSI MIN. GROUT)	3/8" DEWALT COATED CARBON STEEL SCREW-BOLT+	3 1/4"	1 1/2"	3 1/4"	9"
C	1/4" THICK MIN. A36 MIN. STEEL	3/8"-16 BOLT, 300 SERIES COND. CW SS (65ksi MIN. YIELD)	1/4"	9/16"	3 1/4"	9"
D	SOUTHERN PINE (SG = 0.55 MIN.)	3/8" LAG SCREW, 300 SERIES COND. CW SS (65ksi MIN. YIELD)	3"	1 1/2"	3 1/4"	5"

**TABLE OF CONTENTS**

SHEET	DESCRIPTION
1	NOTES, ANCHOR TABLE 1, BOM
2	TYP. SINGLE LOUVER ASSEMBLY
3	TYP. MULLED LOUVER ASSEMBLY
4	VERT. SECTION / INSTALLATION
5	HORIZ. SECTION / INSTALLATION
6	PROFILES

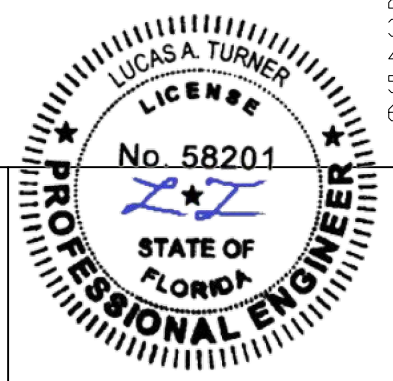
**BILL OF MATERIALS, MISCELLANEOUS COMPONENTS**

ITEM	INTERNAL ID	DESCRIPTION
1	C6-189	SCREW, MACHINE, HW, #10-24 X 1 1/2,
2	C6-192	SCREW, MACHINE, HEX, #10 X 1 1/2,
3	C6-193	SCREWM METAL, HEX, #14 X 1 1/2,
4	C6-198	SCREW, MTL, HEX, #8 X 3/4,
5	-	SEALANT & BACKER ROD
6	-	3/8 NYLON INSERT LOCKNUT
7	-	3/8 COMM'L FLAT WASHER
8	-	3/8-16 X 1 HEX CAP SCREW 18-8 SS
9	-	INSTALL ANCHOR, SEE TABLE 1, SHEET 1

**BILL OF MATERIALS, 6063-T6 ALUMINUM COMPONENTS**

ITEM	INTERNAL ID	DESCRIPTION
10	C6-144	1604 HD HEAD/SILL FRAME
20	C6-146	1604 HD JAMB FRAME
30	C6-215A	1604 J BLADE
40	C6-216A	BLADE BRACE
50	C6-119	1605WD HEAD/SILL
60	C6-199	1605WDF JAMB FRAME
70	C6-203	1605 WD BLADE
80	XX-XXX	BAFFLE
90	XX-XXX	JAMB BLOCK OFF
100	XX-XXX	SILL BLOCKOFF
110	C6-179	MULLION BAR
120	C6-133	4 in CHANNEL FRAME
130	XX-XXX	BLANK OFF (0.125" THICK 5052-H32 ALUM.)
140	C6-173	MULLION COVER
150	C6-161B	3 x 6 x 1/4 ALUM ANGLE (CONT)
160	C6-176	1 1/2 x 2 x 1/8 ANGLE (CONT)
170	XX-XXX	5 x 6 x 3/8 ALUM WALL ANGLE (CONT)

**PRODUCT APPROVED**  
as complying with the Florida Building Code  
NOA-No. 23-0823.05  
Approval Date 04/04/2024  
By *[Signature]*  
Miami-Dade Product Control



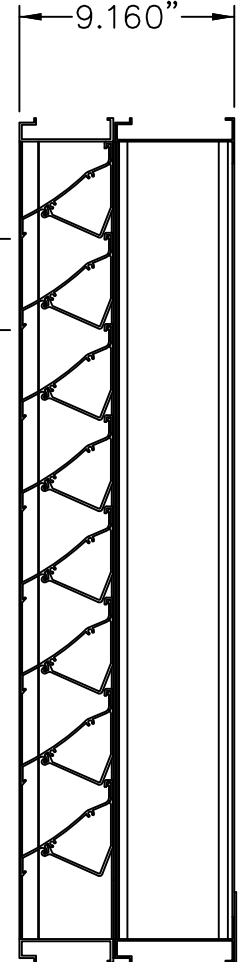
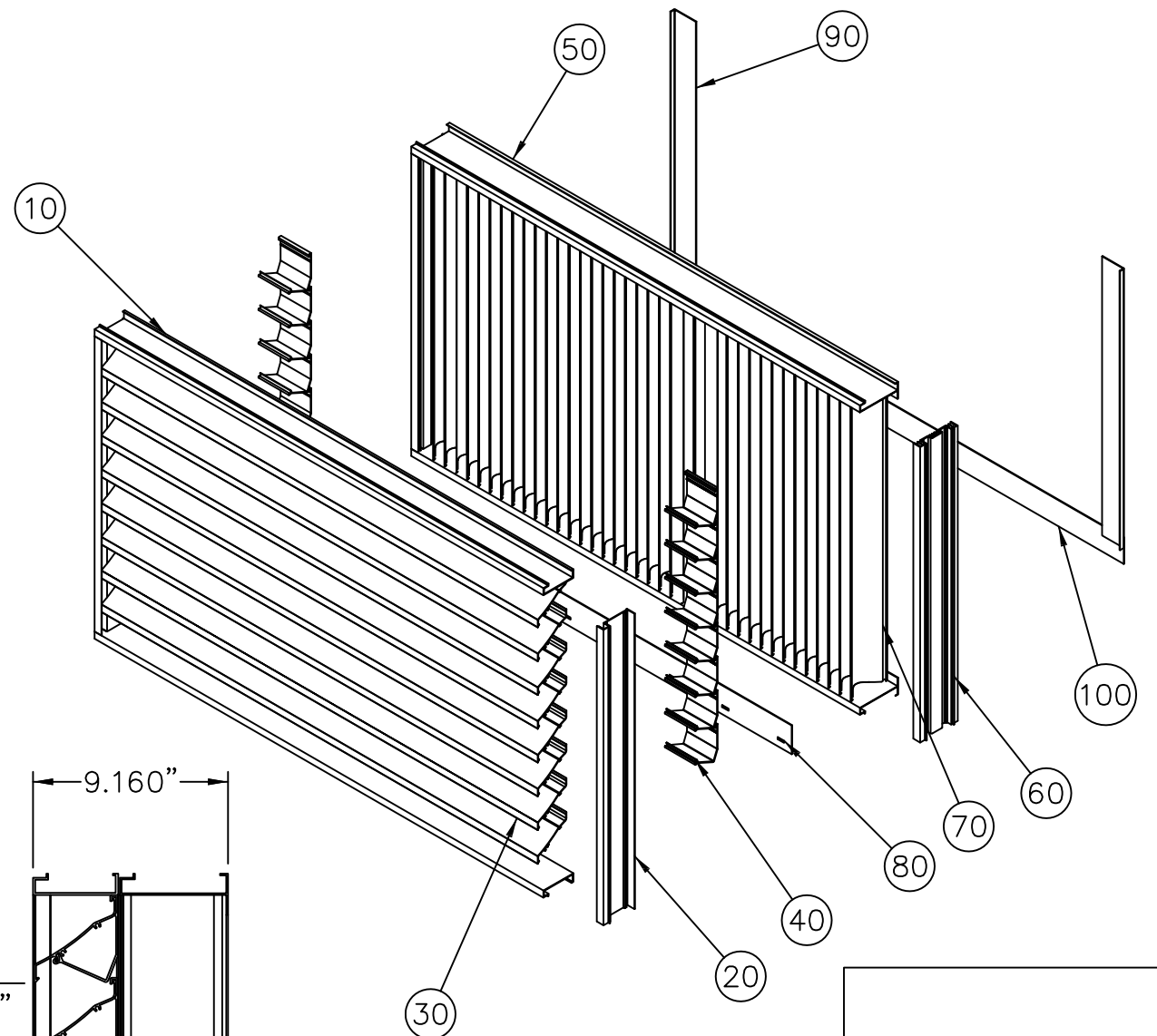
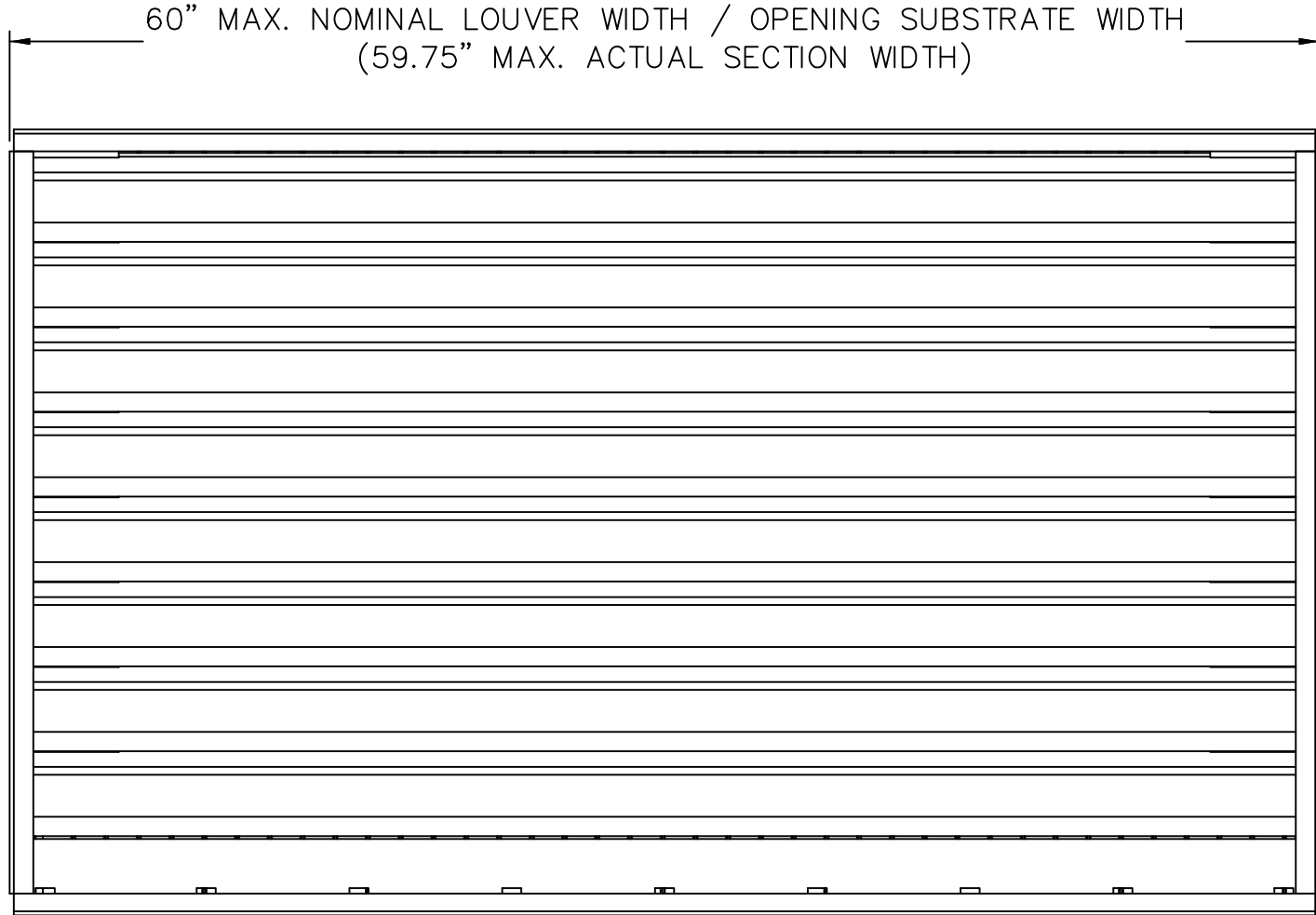
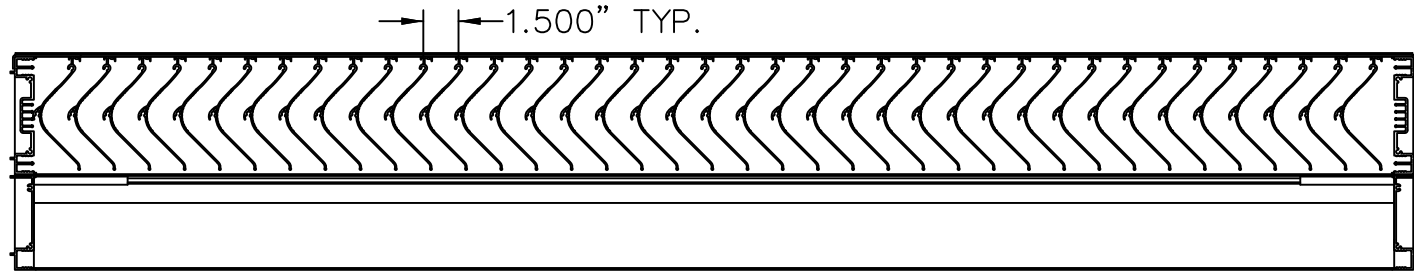
3/7/2024  
LUCAS TURNER  
FL PE 58201  
TURNER ENGINEERING & CONSULTING, INC.,  
2428 OLD NATCHEZ TRACE TRL.  
CAMDEN, TN, 38320  
PH 941-380-1574



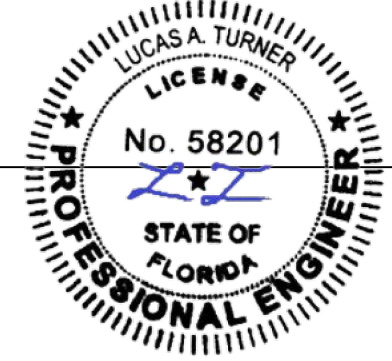
**Nailor Industries Inc.**  
4714 Winfield Road  
Houston, TX 77039  
TEL: 281-590-1172  
FAX: 281-590-3086

REV	BY	DESCRIPTION	DATE
DWN BY: fcoartinas		SCALE: NTS	
DATE: 5/27/2021		SHEET: 1 OF 7	
SHEET DESCRIPTION: BOM, NOTES, ANCHORS			REV 0
DWG: 1609HM-NOA			

TYPICAL ASSEMBLY, SINGLE LOUVER SECTION



**PRODUCT APPROVED**  
as complying with the Florida  
Building Code  
NOA-No. 23-0823.05  
Approval Date 04/04/2024  
By *[Signature]*  
Miami-Dade Product Control



3/7/2024  
LUCAS TURNER  
FL PE 58201  
TURNER ENGINEERING &  
CONSULTING, INC.,  
2428 OLD NATCHEZ TRACE TRL.  
CAMDEN, TN, 38320  
PH 941-380-1574



**Nailor Industries Inc.**  
4714 Winfield Road  
Houston, TX 77039  
TEL: 281-590-1172  
FAX: 281-590-3086

REV	BY	DESCRIPTION	DATE
DWN BY:	fcortinas	SCALE:	NTS
DATE:	5/27/2021	SHEET:	2 OF 7
SHEET DESCRIPTION: 1609HM 60.00 X 36.00			REV
DWG: 1609HM-NOA			0



TYPICAL ASSEMBLY, MULLED LOUVERS  
(TWO LOUVER SECTIONS SHOWN, BUT  
UNLIMITED SECTIONS MAY BE MULLED)

OPTIONAL BLANKED  
OFF BACK ASSEMBLY

1.500" TYP.

30" MAX. NOMINAL WIDTH @  
BLANK OFF BACK ASSEMBLY  
(29.75" MAX. ACTUAL  
SECTION WIDTH)

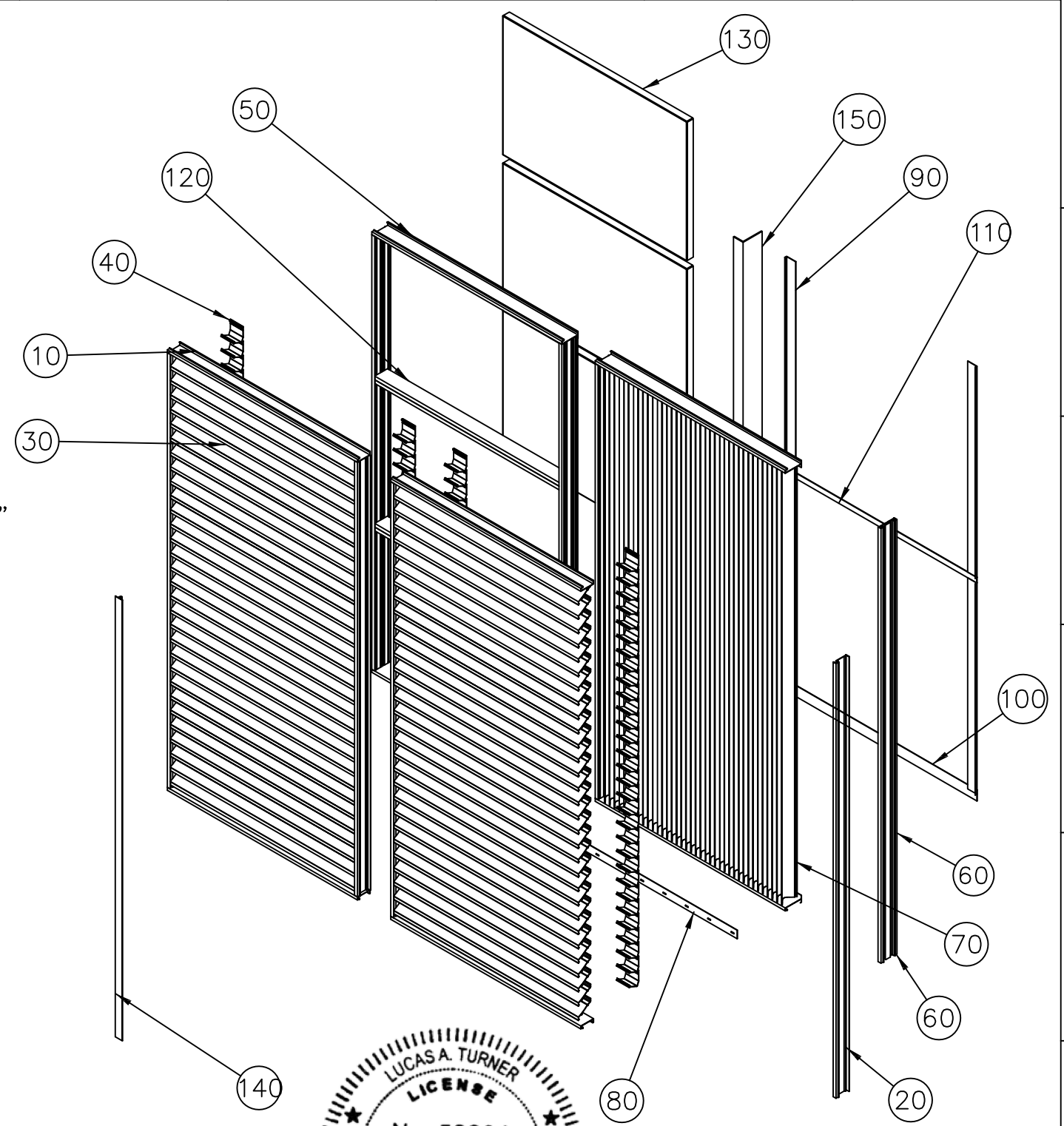
60" MAX. NOMINAL WIDTH @  
LOUVER BACK ASSEMBLY  
(59.75" MAX. ACTUAL  
SECTION WIDTH)

OVERALL NOMINAL LOUVER WIDTH /  
SUBSTRATE OPENING WIDTH  
= SUM OF NOMINAL WIDTHS OF ALL MULLED SECTIONS

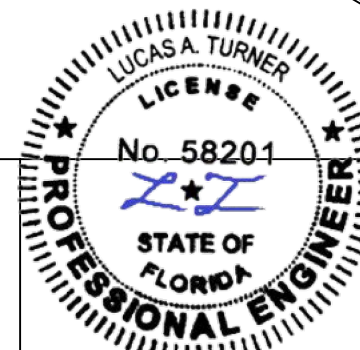
120" MAX.  
NOMINAL  
LOUVER /  
SUBSTRATE  
OPENING  
HEIGHT  
(119.75"  
MAX.  
ACTUAL  
LOUVER/  
SECTION  
HEIGHT)

3.889"  
TYP.

9.160"



**PRODUCT APPROVED**  
as complying with the Florida  
Building Code  
NOA-No. 23-0823.05  
Approval Date 04/04/2024  
By *[Signature]*  
Miami-Dade Product Control



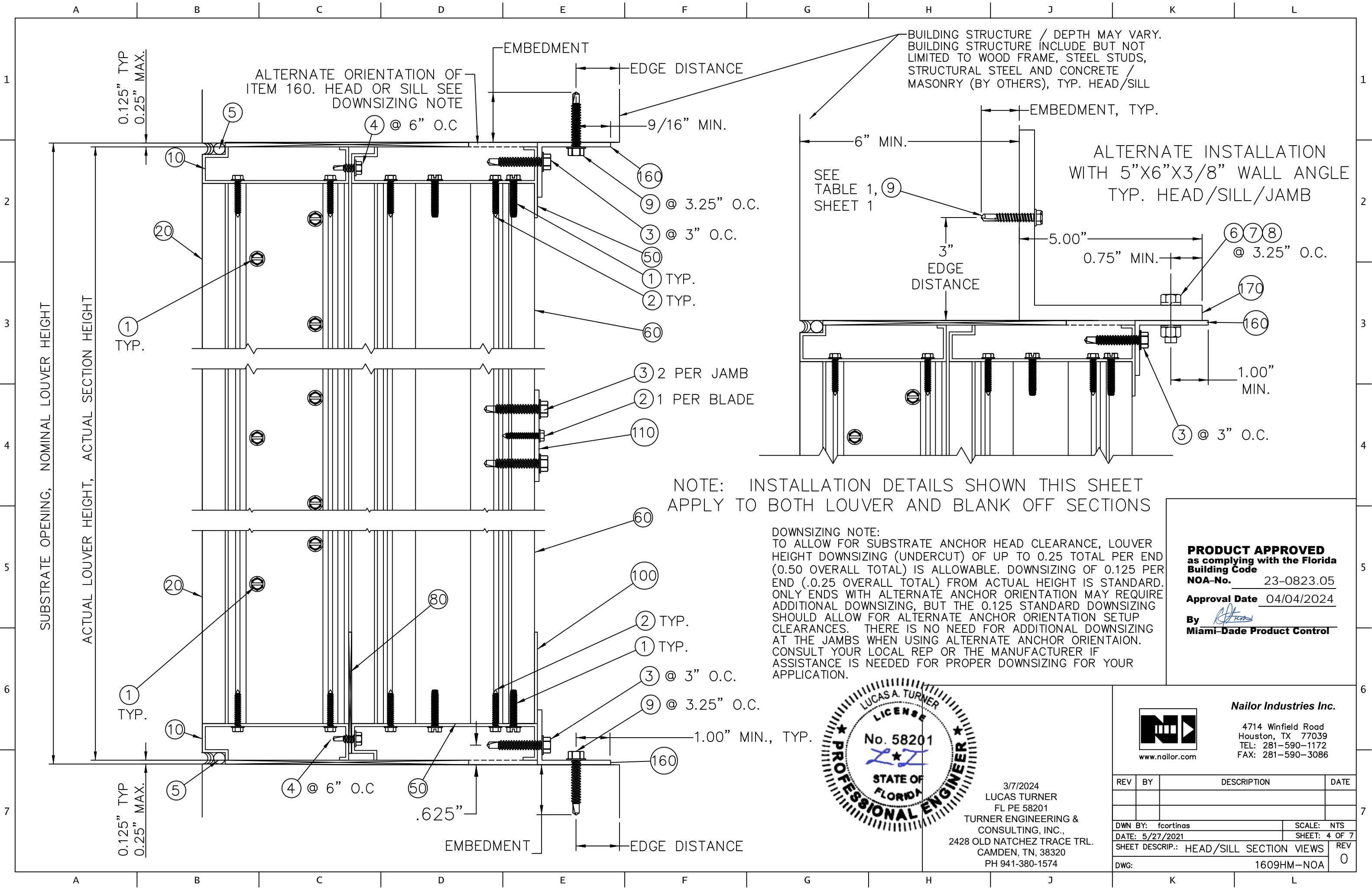
3/7/2024  
LUCAS TURNER  
FL PE 58201  
TURNER ENGINEERING &  
CONSULTING, INC.,  
2428 OLD NATCHEZ TRACE TRL.  
CAMDEN, TN, 38320  
PH 941-380-1574



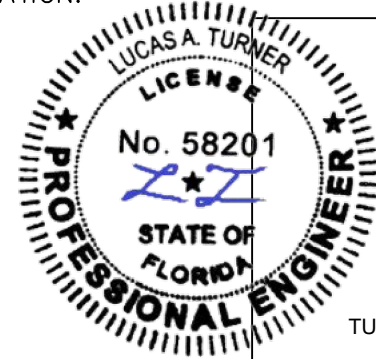
**Nailor Industries Inc.**

4714 Winfield Road  
Houston, TX 77039  
TEL: 281-590-1172  
FAX: 281-590-3086

REV	BY	DESCRIPTION	DATE
DWN BY:	fcortinas	SCALE:	NTS
DATE:	5/27/2021	SHEET:	3 OF 7
SHEET DESCRIP.:	1609HM 120.00 X 120.00	REV	0
DWG:	1609HM-NOA		



**PRODUCT APPROVED**  
 as complying with the Florida  
 Building Code  
 NOA-No. 23-0823.05  
 Approval Date 04/04/2024  
 By *[Signature]*  
 Miami-Dade Product Control

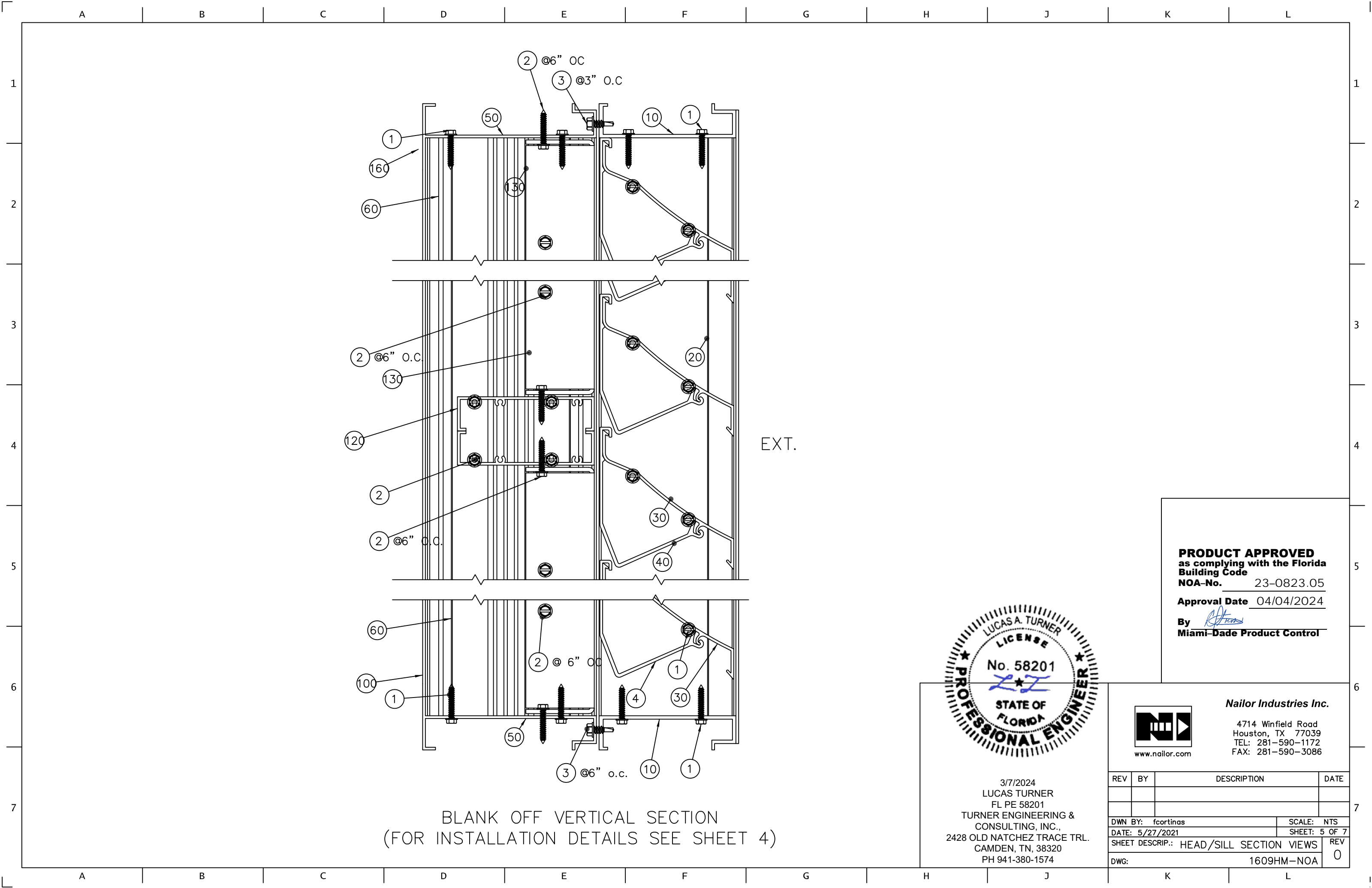


3/7/2024  
 LUCAS TURNER  
 FL PE 58201  
 TURNER ENGINEERING &  
 CONSULTING, INC.,  
 2428 OLD NATCHEZ TRACE TRL.  
 CAMDEN, TN, 38320  
 PH 941-380-1574



**Nailor Industries Inc.**  
 4714 Winfield Road  
 Houston, TX 77039  
 TEL: 281-590-1172  
 FAX: 281-590-3086  
 www.nailor.com

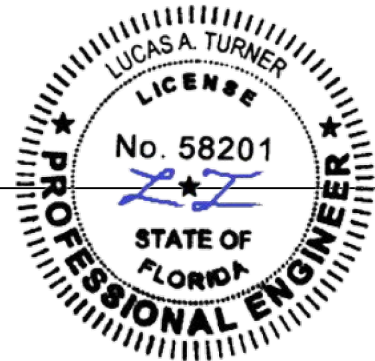
REV	BY	DESCRIPTION	DATE
DWN BY:	fcorinas	SCALE:	NTS
DATE:	5/27/2021	SHEET:	4 OF 7
SHEET DESCIP.: HEAD/SILL SECTION VIEWS			REV
DWG:	1609HM-NOA		0



BLANK OFF VERTICAL SECTION  
(FOR INSTALLATION DETAILS SEE SHEET 4)

EXT.

**PRODUCT APPROVED**  
as complying with the Florida  
Building Code  
NOA-No. 23-0823.05  
Approval Date 04/04/2024  
By *[Signature]*  
Miami-Dade Product Control

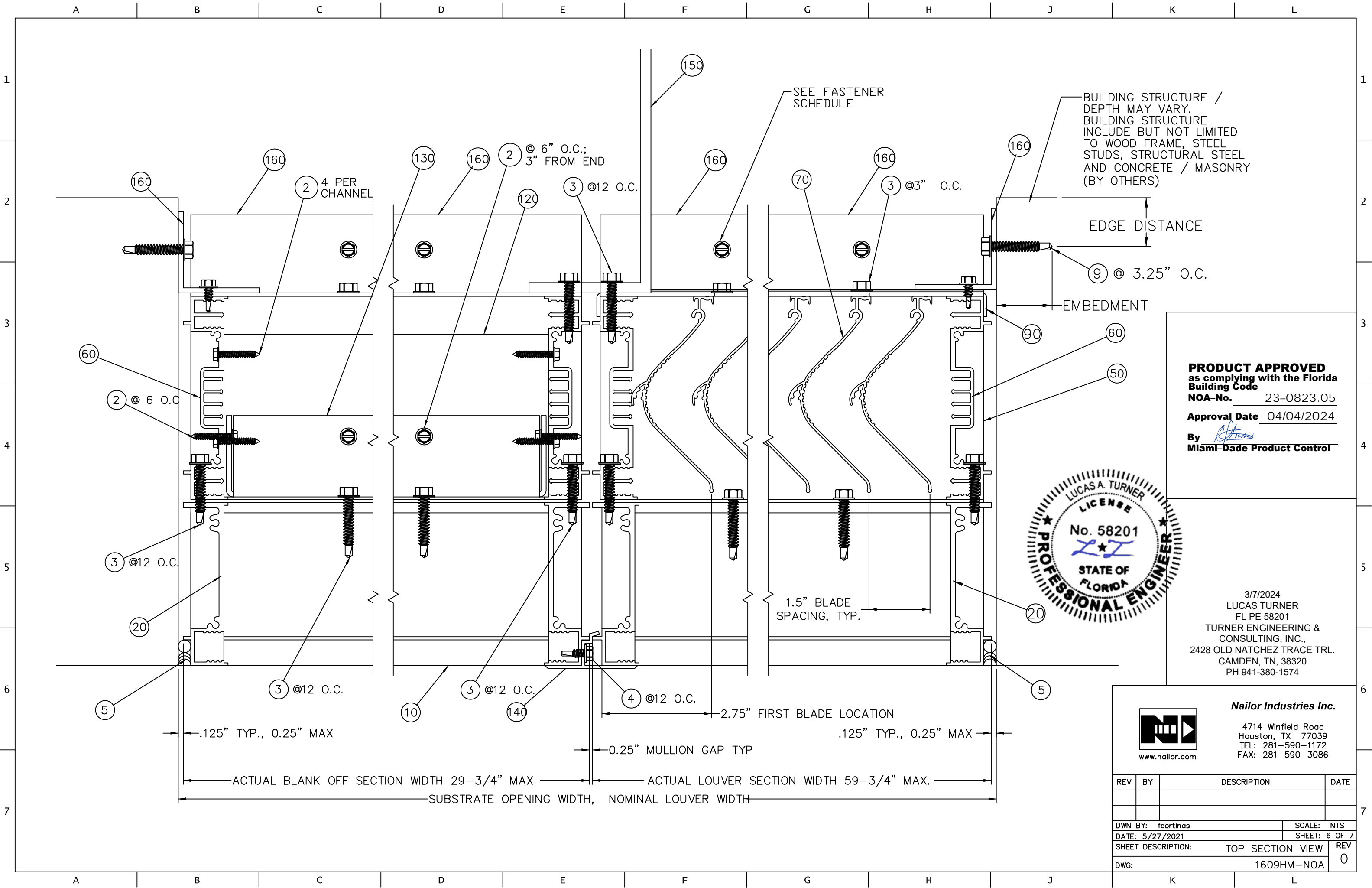


3/7/2024  
LUCAS TURNER  
FL PE 58201  
TURNER ENGINEERING &  
CONSULTING, INC.,  
2428 OLD NATCHEZ TRACE TRL.  
CAMDEN, TN, 38320  
PH 941-380-1574



**Nailor Industries Inc.**  
4714 Winfield Road  
Houston, TX 77039  
TEL: 281-590-1172  
FAX: 281-590-3086

REV	BY	DESCRIPTION	DATE
DWN BY: fcartinas		SCALE: NTS	
DATE: 5/27/2021		SHEET: 5 OF 7	
SHEET DESCRIP.: HEAD/SILL SECTION VIEWS			REV 0
DWG:		1609HM-NOA	



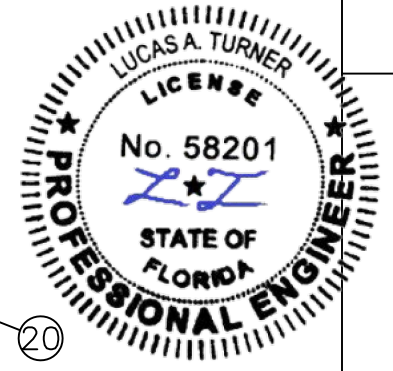
SEE FASTENER SCHEDULE

BUILDING STRUCTURE / DEPTH MAY VARY. BUILDING STRUCTURE INCLUDE BUT NOT LIMITED TO WOOD FRAME, STEEL STUDS, STRUCTURAL STEEL AND CONCRETE / MASONRY (BY OTHERS)

EDGE DISTANCE

EMBEDMENT

**PRODUCT APPROVED**  
 as complying with the Florida Building Code  
 NOA-No. 23-0823.05  
 Approval Date 04/04/2024  
 By *[Signature]*  
 Miami-Dade Product Control



3/7/2024  
 LUCAS TURNER  
 FL PE 58201  
 TURNER ENGINEERING & CONSULTING, INC.,  
 2428 OLD NATCHEZ TRACE TRL.  
 CAMDEN, TN, 38320  
 PH 941-380-1574

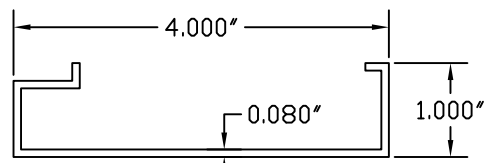


**Nailor Industries Inc.**  
 4714 Winfield Road  
 Houston, TX 77039  
 TEL: 281-590-1172  
 FAX: 281-590-3086

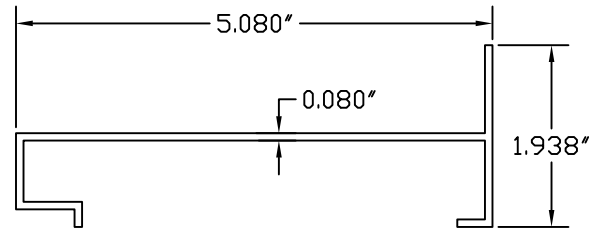
REV	BY	DESCRIPTION	DATE

DWN BY: fcartinas      SCALE: NTS  
 DATE: 5/27/2021      SHEET: 6 OF 7  
 SHEET DESCRIPTION: TOP SECTION VIEW      REV 0  
 DWG: 1609HM-NOA

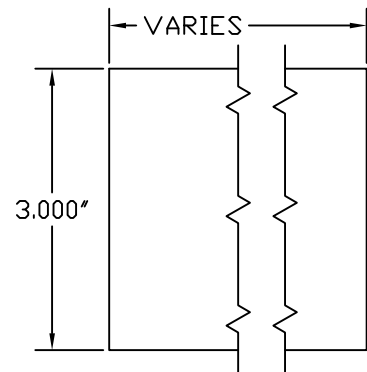




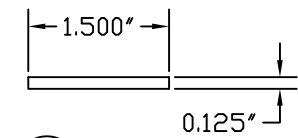
⑩ 1604 HD HEAD/SILL FRAME



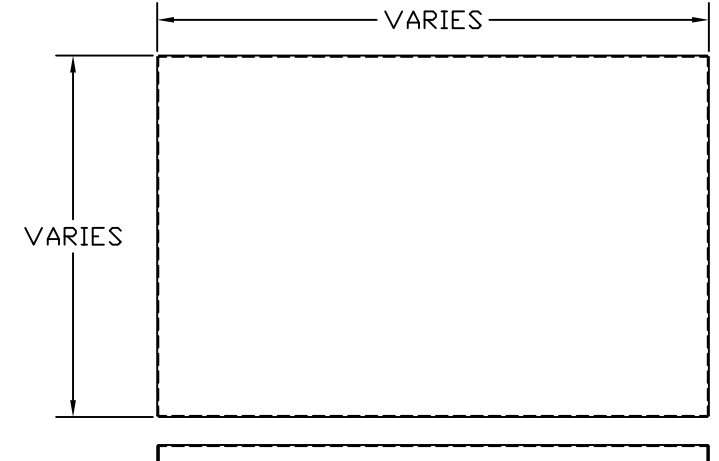
⑤① 1605WD HEAD/SILL



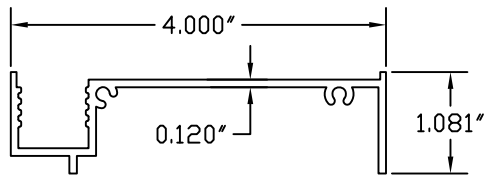
⑩① 100 SILL BLOCKOFF



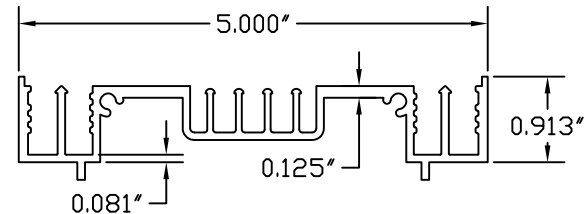
①①① 110 MULLION BAR



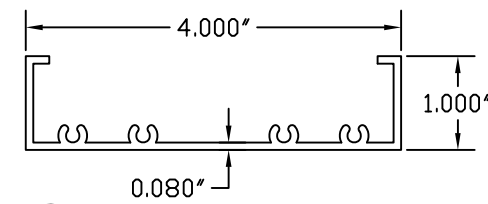
①③① 130 BLANKOFF (0.125" THICK)



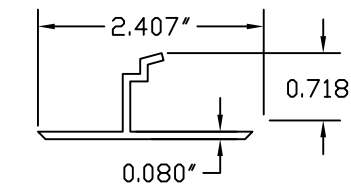
②① 1604 HD JAMB FRAME



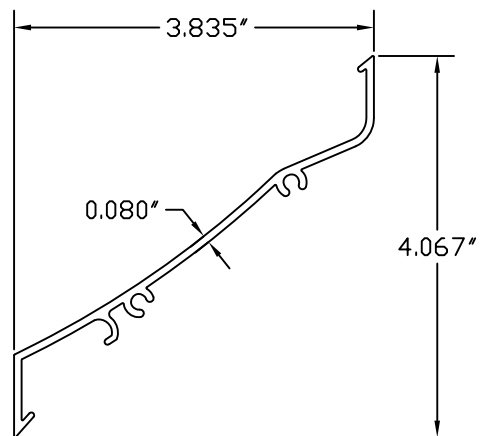
⑥① 1605WDF JAMB FRAME



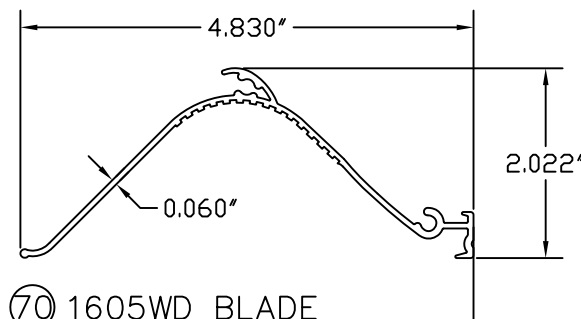
①②① 4" CHANNEL FRAME



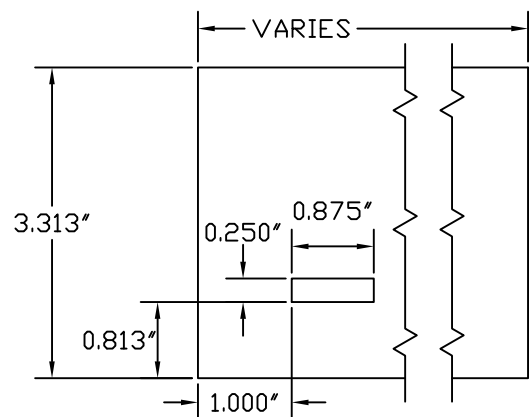
①④① 140 MULLION COVER



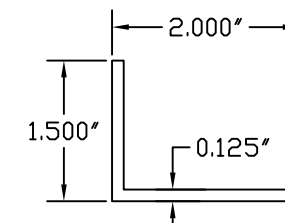
③① 1604J BLADE



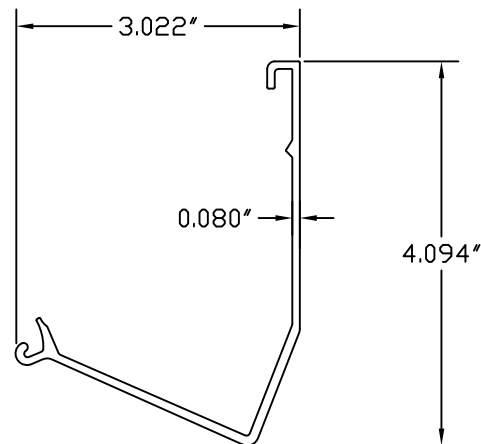
⑦① 1605WD BLADE



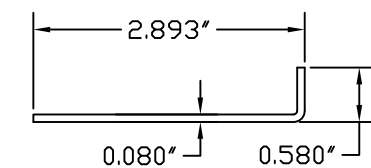
⑧① BAFFLE (0.093" THICK)



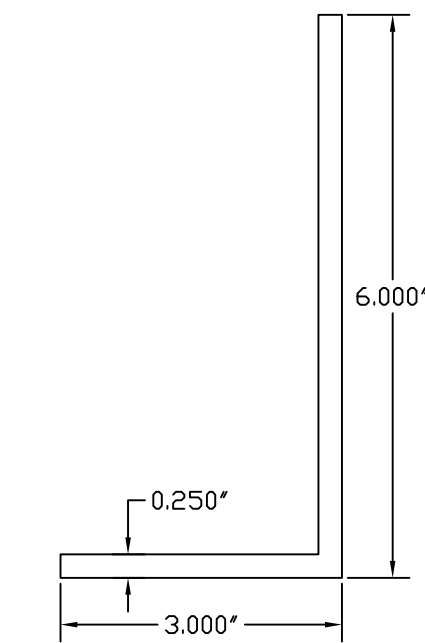
①⑥① 1.5X2X1/8 ANGLE MOUNT



④① BLADE BRACE

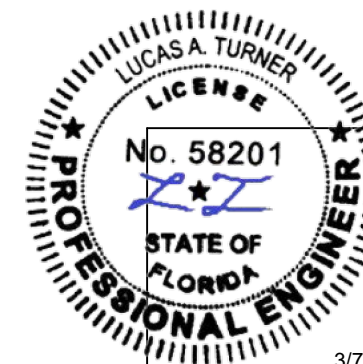


⑨① JAMB BLOCK OFF



①⑤① 3X6 ALUM. ANGLE

**PRODUCT APPROVED**  
as complying with the Florida  
Building Code  
NOA-No. 23-0823.05  
Approval Date 04/04/2024  
By *[Signature]*  
Miami-Dade Product Control



3/7/2024  
LUCAS TURNER  
FL PE 58201  
TURNER ENGINEERING &  
CONSULTING, INC.,  
2428 OLD NATCHEZ TRACE TRL.  
CAMDEN, TN, 38320  
PH 941-380-1574



**Nailor Industries Inc.**

4714 Winfield Road  
Houston, TX 77039  
TEL: 281-590-1172  
FAX: 281-590-3086

REV	BY	DESCRIPTION	DATE
DWN BY: fcorinas		SCALE: NTS	
DATE: 5/27/2021		SHEET: 7 OF 7	
SHEET DESCRIPTION: PROFILES		REV	
DWG: 1609HM-NOA		0	