

NOTES:

1. These details are based upon tests conducted by the Gypsum Association. Consult the local authority having jurisdiction for other acceptable framing methods.
2. Frame wall openings as shown in Figure 1 or 2.
3. Gypsum panels must be screwed to all stud and runner flanges, 12" (305) max. o.c. surrounding opening.
4. All fasteners to be per UL/ULC Classified wall design.
5. UL/ULC wood stud designs require gypsum wallboard filler pieces to be installed around entire opening, screwed 12" (305) o.c. to web of runners and studs, covering all wood stud surfaces.
 In UL metal stud designs, exposed steel surfaces need not be covered with gypsum wallboard. ULC metal stud construction however may still require filler pieces, check with the local authorities.
6. Refer to standard installation instructions sheet for additional details.

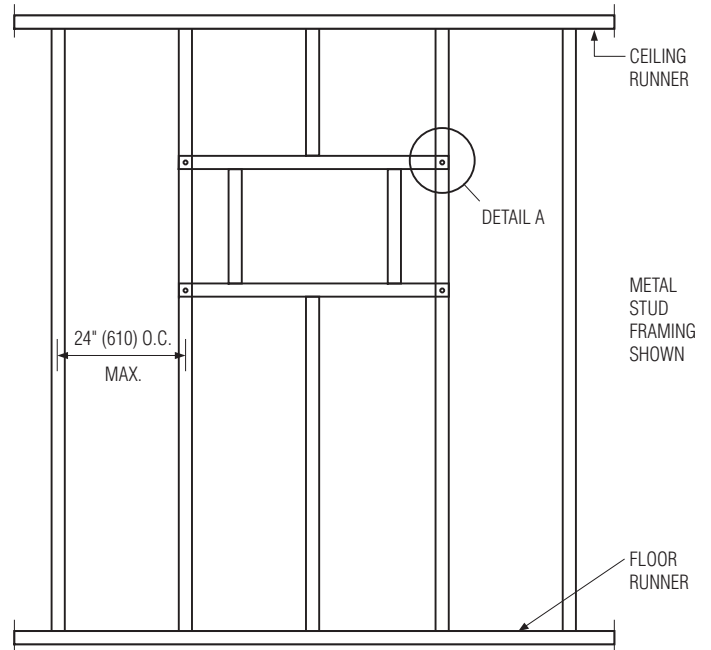


FIGURE 1. SINGLE VERTICAL STUD OPENING PREPARATION DETAILS.
 DAMPERS UP TO 36" x 36" (914 x 914).

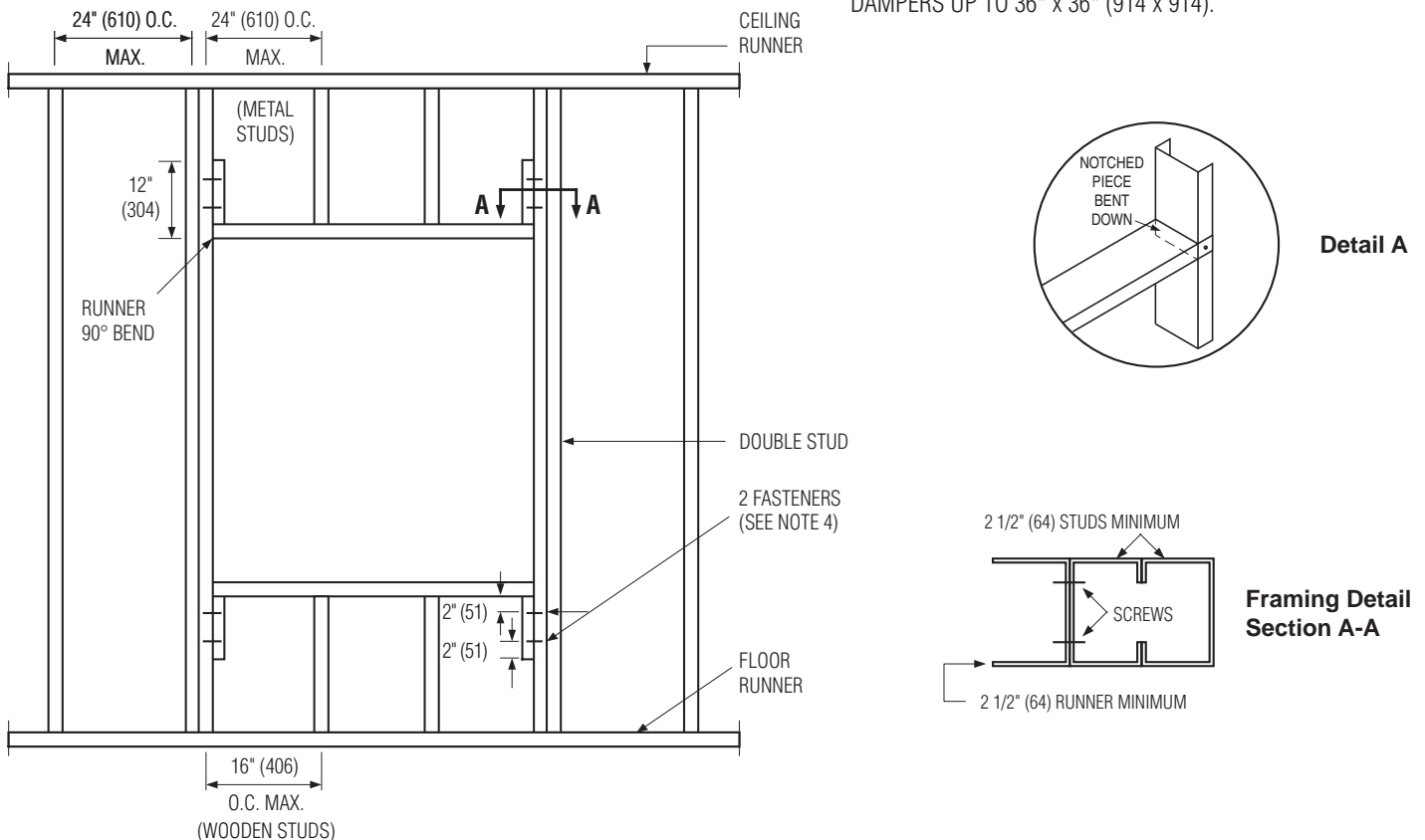
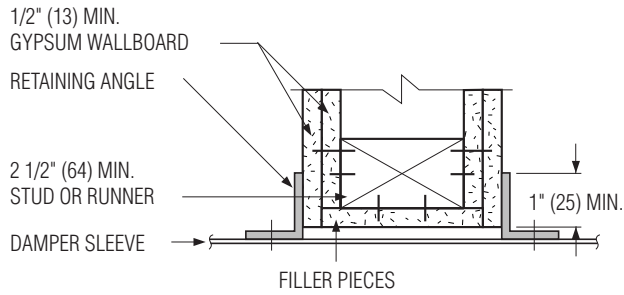


FIGURE 2. DOUBLE VERTICAL STUD OPENING PREPARATION DETAILS.
 DAMPERS OVER 36" x 36" (914 x 914).

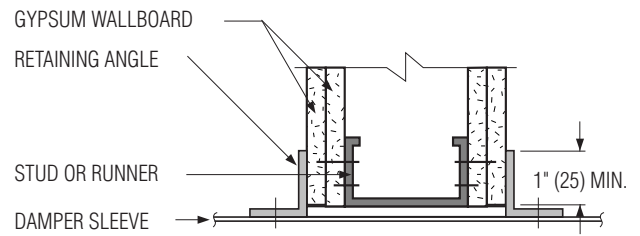
TYPICAL STUD WALL DETAILS (See Notes on Page 1)

WOOD STUD DETAIL

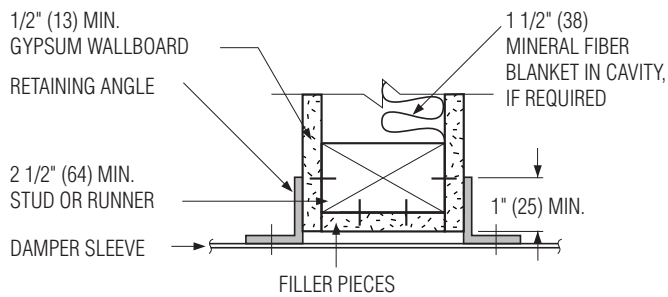


2 Hour Partition Rating

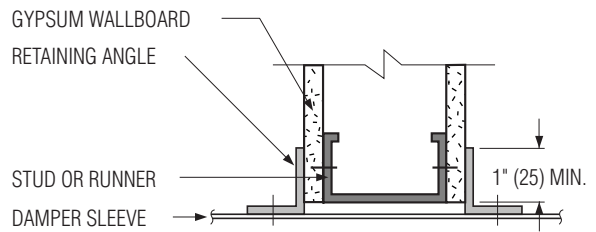
METAL STUD DETAIL (UL DESIGN)



2 Hour Partition Rating



1 Hour Partition Rating



1 Hour Partition Rating

Dimensions are in inches (mm).

Page 2 of 2



Houston, Texas
Tel: 281-590-1172
Fax: 281-590-3086

Las Vegas, Nevada
Tel: 702-648-5400
Fax: 702-638-0400

Toronto, Canada
Tel: 416-744-3300
Fax: 416-744-3360

Calgary, Canada
Tel: 403-279-8619
Fax: 403-279-5035