



**SUPPLEMENTARY INSTALLATION
INSTRUCTIONS • CAULKING
HURRICANE LOUVERS
MODEL SERIES: 1600**

I. General Notes

1. The following guidelines provide basic caulking instruction for Nailor Industries' Florida Product Approved and Miami-Dade Qualified Hurricane Louvers.
2. Hurricane louvers have been designed and tested to meet the stringent criteria established by the Florida Building Code and protocols called for use in Miami-Dade and Broward counties. Our louvers are certified to AMCA 500-L, AMCA 540 and AMCA 550, and have been tested to TAS 100-A, TAS-201, TAS-202 and TAS-203.
3. Maximum louver sizes are unlimited width x 120" (3048) high. However, louvers larger than the maximum single section size require field assembly from smaller louver sections to meet the overall louver width requirements.

II. General Installation Requirements

1. Structural members, mounting angles, clips, fasteners, and some installation hardware will be provided by the manufacturer. Other necessary installation hardware shall be provided by the installing contractor.
2. Refer to the model specific installation instructions and drawings for FL19273, for Florida Product and FL41441, FL41947 for the Miami-Dade Qualified Hurricane Louvers.

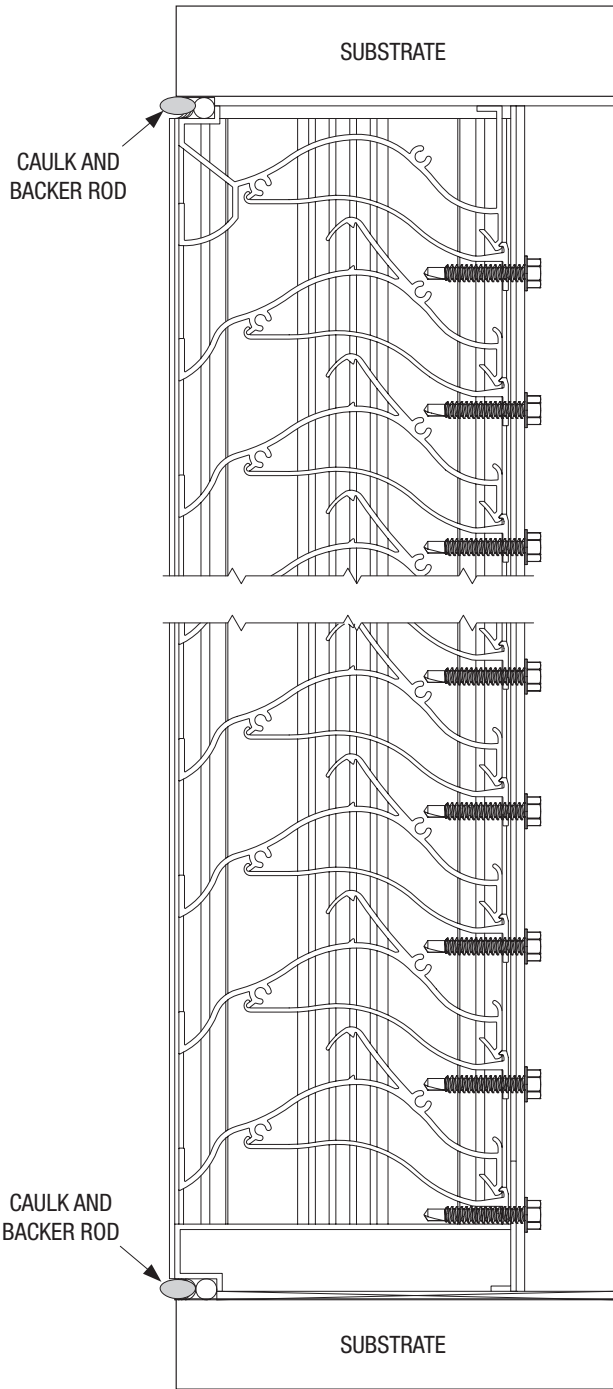
II. REFERENCE TABLE

NAILOR LOUVER MODEL	FLORIDA APPLICATION #	MIAMI-DADE NOA #
1604DHPF	FL19273.1	Not Applicable
1605WDF	FL19273.2	Not Applicable
1605WDVF	FL19273.3	Not Applicable
1606DHPF	FL19273.4	Not Applicable
1606WDF	FL19273.5	Not Applicable
1605WDM	FL41441.1	24-0516.05
1603WDVM	PENDING	25-0922.02
1605WDVM	FL41441.2	24-0516.06
1606DHPM	FL41441.3	24-0516.04
1675WDVM	FL41441.4	24-0516.03
1605HM	PENDING	25-1223.02
1609HM	FL41947.1	23-0823.05
1606CM	FL41947.2	23-0823.04
1603WDV	Not Applicable	Not Applicable
1605WDV	Not Applicable	Not Applicable
1605H	Not Applicable	Not Applicable
1609H	Not Applicable	Not Applicable
1606C	Not Applicable	Not Applicable

III. Perimeter Caulking Requirements

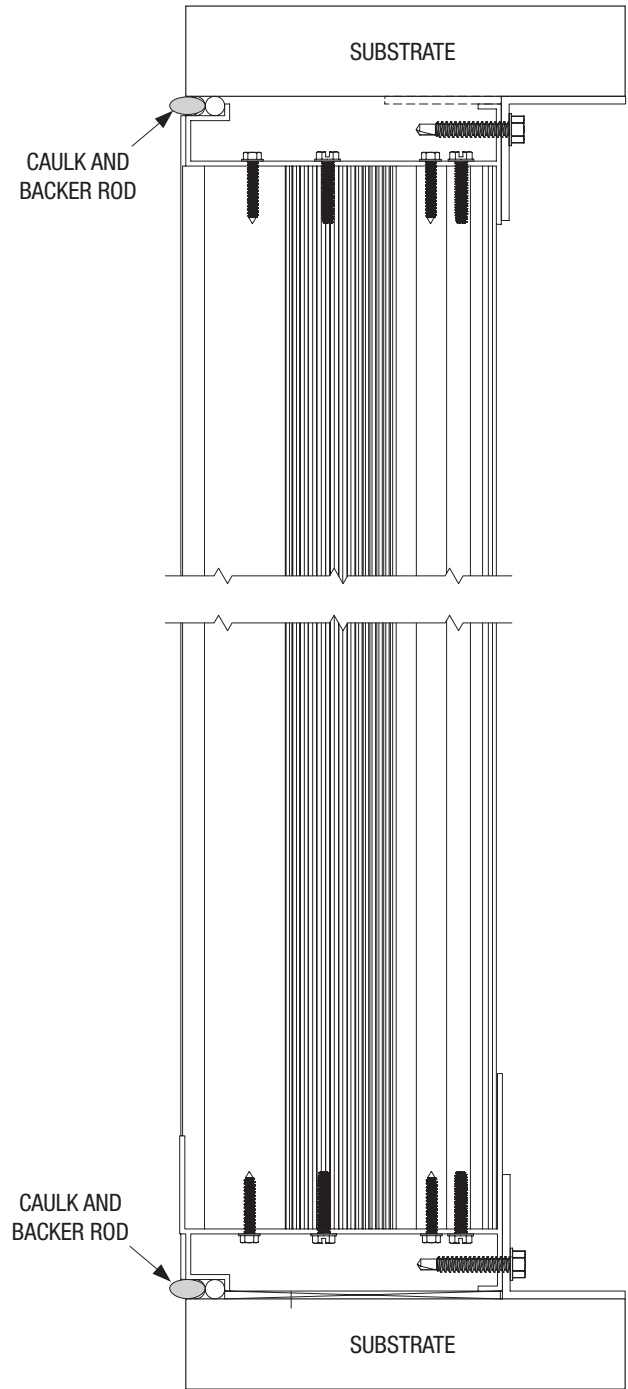
1. Install backer rod and caulk around the entire perimeter of the louver, as required. (Backer rod and caulk are by others). This is required for all single section and multiple section units. Refer to Section IV for multiple section caulking at the mullion covers.

FIGURE 1 - HORIZONTAL SINGLE SECTION



TYPICAL HORIZONTAL BLADE LOUVER

FIGURE 2 - VERTICAL SINGLE SECTION



TYPICAL VERTICAL BLADE LOUVER

IV. Multiple Section Louver/Mullion Cover Caulking Requirements

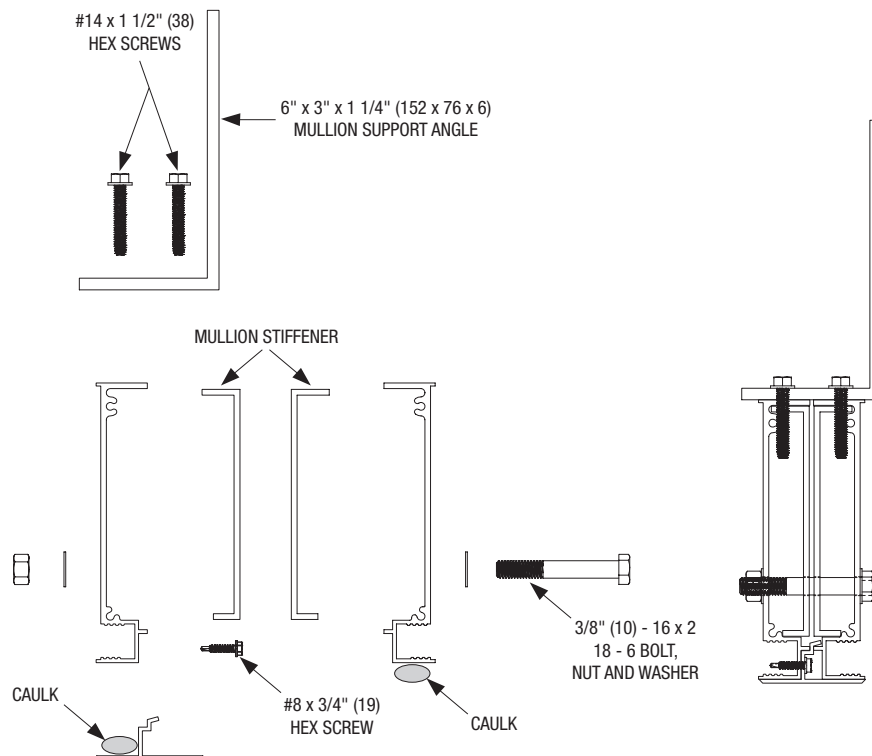
1. Nailor Hurricane Louvers have two different types of mullion covers, depending on the era of the original design. Each detail will be demonstrated in the figures below. Type A is an extruded "T" shape that is fastened to the inside of the louver frame. Type B is a flat bar that is fastened to the front of the louver frame. **WARNING:** Identify your mullion covers prior to multiple section installation.
2. **MULLION COVER REFERENCE TABLE:** The table below identifies which type of mullion cover is required by model.

MULLION COVER REFERENCE TABLE

NAILOR LOUVER MODEL	FIGURE # TYPE
1604DHPF	Figure 3 - Type A
1605WDF	Figure 3 - Type A
1606DHPF	Figure 3 - Type A
1606WDF	Figure 3 - Type A
1606DHPM	Figure 3 - Type A
1605HM	Figure 3 - Type A
1609HM	Figure 3 - Type A
1606CM	Figure 3 - Type A
1605H	Figure 3 - Type A
1609H	Figure 3 - Type A
1606C	Figure 3 - Type A
1605WDF	Figure 4 – Type B
1605WDM	Figure 4 – Type B
1603WDVM	Figure 4 – Type B
1605WDVM	Figure 4 – Type B
1675WDVM	Figure 4 – Type B
1603WDV	Figure 4 – Type B
1605WDV	Figure 4 – Type B

3. **Type A:** Apply a bead of caulk to rear of the mullion cover and apply caulk to the pre-punched holes on the mullion cover. Install mullion to the left side of the louver using #8 x 3/4" (19) metal hex screws. This will be the rightmost section of the louver.
4. Apply a bead of caulk to the exposed surface of the next louver panel frame prior to installation.
5. Continue installing louver panels using the same procedure. The leftmost louver panel has no mullion cover.
6. Ensure that the entire perimeter is caulked as referenced in **Section III PERIMETER CAULKING REQUIREMENTS.**

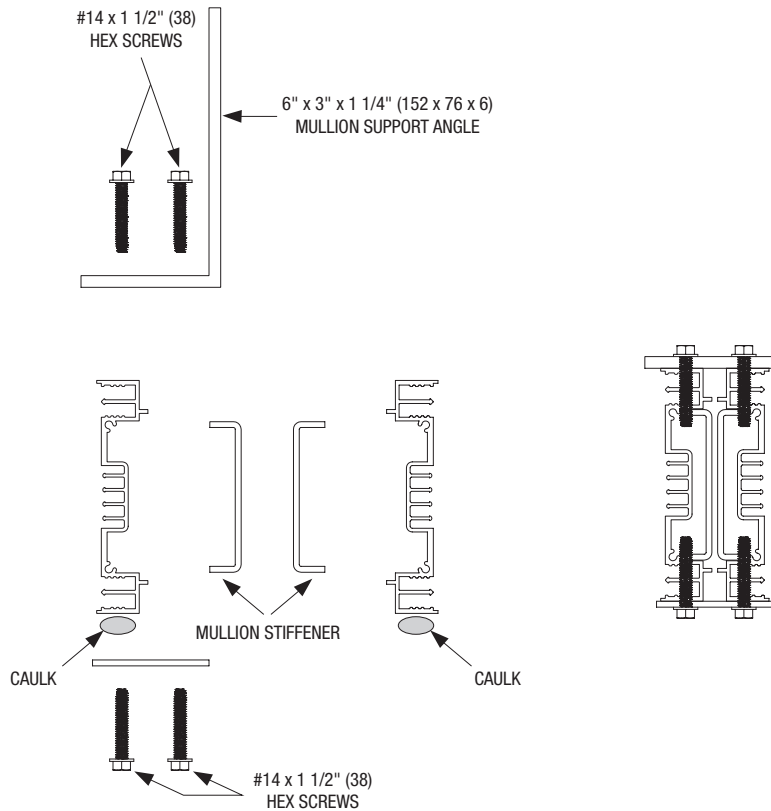
FIGURE 3 - TYPE A MULLION COVER CAULKING



IV. Multiple Section Louver/Mullion Cover Caulking Requirements (continued)

8. **Type B:** Apply a bead of caulk to exterior surface of each louver panel frame prior to installing the mullion cover. The mullion cover shall be attached in accordance with the installation instructions referenced in **Section II General Installation Instructions**.
9. Apply a bead of caulk to the interior surface of each louver panel frame prior to installing the louver support angle.
10. Continue installing louver panels using the same procedure. The leftmost louver panel has no mullion cover.
11. Ensure that the entire perimeter is caulked as referenced in **Section III PERIMETER CAULKING REQUIREMENTS**.

FIGURE 4 - TYPE B MULLION COVER CAULKING



Dimensions are in inches (mm).



Houston, Texas
Tel: 281-590-1172
Fax: 281-590-3086

Las Vegas, Nevada
Tel: 702-648-5400
Fax: 702-638-0400

Toronto, Canada
Tel: 416-744-3300
Fax: 416-744-3360

Calgary, Canada
Tel: 403-279-8619
Fax: 403-279-5035