

- MANUAL BALANCING DAMPER
- FOR ROUND DUCT
- GALVANIZED STEEL

**Model:**

**1890 Single Blade Balancing Damper**



Model 1890

Model 1890 Manual Balancing Damper is a steel butterfly damper designed for all types of round ductwork balancing applications and is suitable for use in low pressure and velocity commercial HVAC systems. The 1890 installs quickly and easily and becomes part of the ductwork, saving time and money on installation costs and is an economical alternative to a "shop built" damper. The design features a sturdy corrosion resistant beaded casing ideal for round spiral ductwork connections and a corrosion resistant steel blade that can be locked in any position with the hand quadrant that is supplied as standard with the damper. A variety of options are available to meet specific requirements and applications.

**STANDARD CONSTRUCTION:**

**Frame:** 22 ga. (.86) corrosion-resistant steel with stiffening beads up to 12" (305) dia. 20 ga. (1.0) over 12" (305).

**Blades:** 22 ga. (.86) corrosion-resistant steel up to 12" (305) dia. 20 ga. (1.0) over 12" (305).

**Drive Shaft/Axle:** 1/4" (6) dia. plated steel bolted to blade.

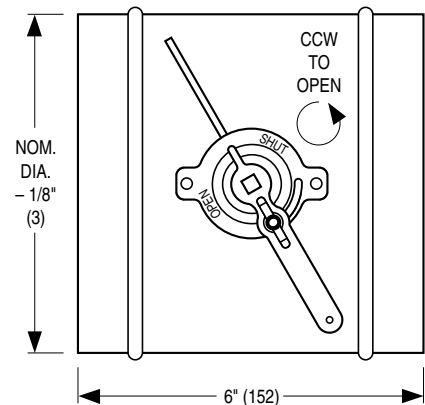
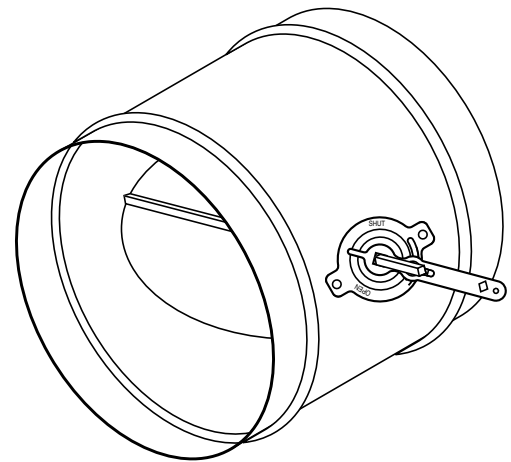
**Quadrant:** Plated steel with locking operator (factory installed).

**Model 1890 Sizes (Duct W x H):**

Minimum	Maximum
Single Section	Single Section
4" (102) dia.	20" (508) dia.

Temperature Range: -50°F to 250°F (-46°C to +121°C)

1890 Series - Maximum Performance Ratings	
Maximum Velocity	2000 fpm (10 m/s)
Maximum Pressure	2 in. w.g. (500 Pa)



**B**  
**BALANCING DAMPERS**