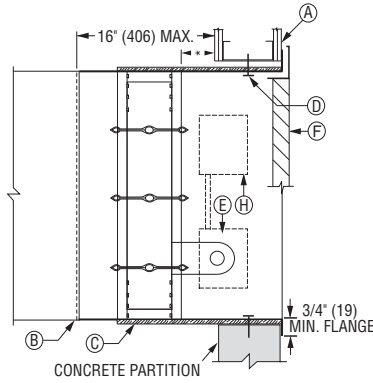


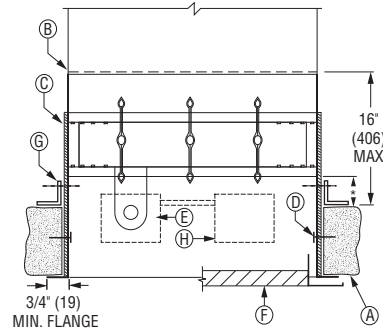
TYPICAL INSTALLATION DETAILS:

ITEMS:

- A Typical 2 hour rated vertical steel stud construction or horizontal concrete fire partition.
- B Duct connection.
- C Intumescent material.
- D #10 sheet metal screws.
- E Actuator
- F Grille/Diffuser
- G Rear retaining angle (required for horizontal mounting).
- H ERL Electric Resettable Link (Heat Sensor)



VERTICAL MOUNT



HORIZONTAL MOUNT

*** Important Note:**
Dampers are furnished full ordered size to facilitate grille installation. Opening size in partition should be sized 1/2" (13) larger in all directions to allow for sleeve thickness.

PERFORMANCE DATA:

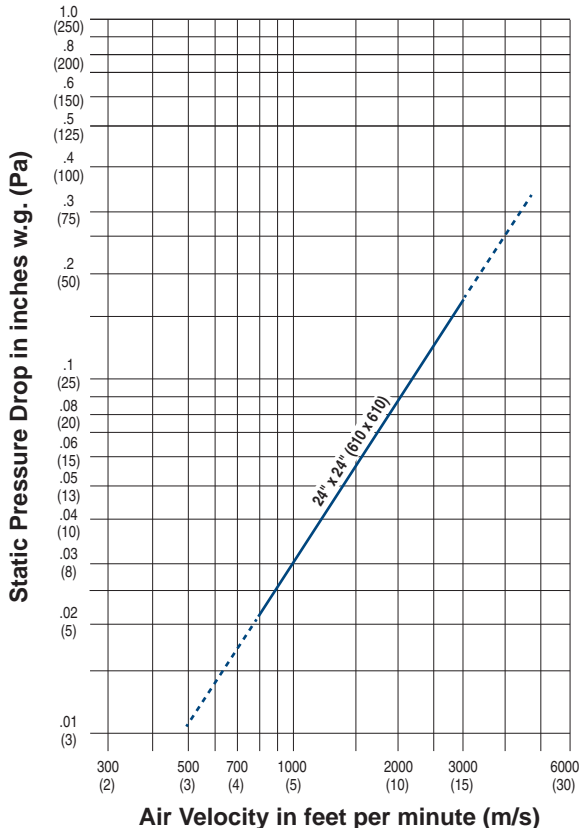
MODEL SERIES: 1221-OW - 1 1/2 HOUR LABEL

LEAKAGE CLASS:

The 1221-OW Series Out of Wall Combination Fire/Smoke Damper has been designed and qualified under UL 555S in order to provide maximum system design flexibility. They are available with a Class I leakage rating (currently the lowest available) with all damper/actuator assemblies having been tested successfully at an elevated temperature of 250°F (121°C) or 350°F (177°C), dependent on actuator, under airflow of 2000 fpm @ 4" w.g. (10 m/s @ 1 kPa). The 1221-OW Series has also qualified under extended testing up to 4000 fpm (20 m/s) and 8 w.g. (2 kPa), with some size and actuator restrictions.

1221-OW Series - Maximum Performance Ratings	
UL 555 Fire Rating	1 1/2 Hour
UL 555S Leakage Rating	Class I
Maximum Velocity	4000 fpm (20 m/s)
Maximum Pressure	8 in. w.g. (2 kPa)
Maximum Temperature	350°F (177°C)

PRESSURE DROP:



Pressure drop tested per AMCA Standard 500-D, Figure 5.2. Data corrected to standard air density of 0.075 lbs./ft.³.