



PLENUM SLOT DIFFUSER ACCESSORIES (OPT.)
MODEL SERIES: 5600, 5700 AND 5800 – SUPPLY
5600R, 5700R AND 5800R – RETURN

PF Slot Diffuser Plaster Frame

The PF Plaster Frame, for plenum slot diffusers enables the installation of Lay-in T-Bar style diffusers to be installed in drywall or plaster ceilings. Installation of the frame in the ceiling is by others.

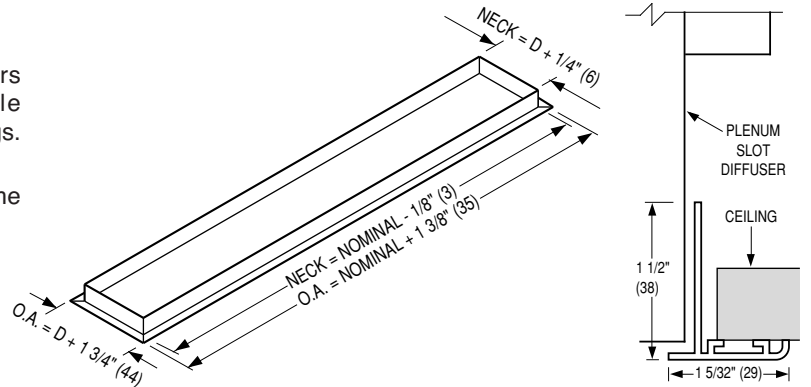
(Note: Diffuser will not fit through a plaster frame opening).

Material: Extruded aluminum with mitered corners.

Recommended Ceiling Opening dimensions:

Width = Diffuser Width (D) + 1/2" (13)

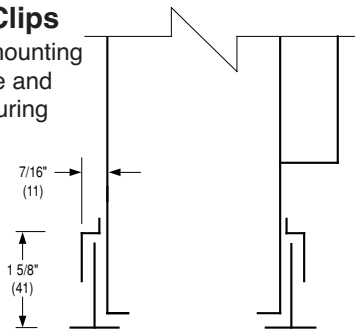
Length = Nominal Diffuser Length + 1/4" (6)



T-Bar Mounting Clips

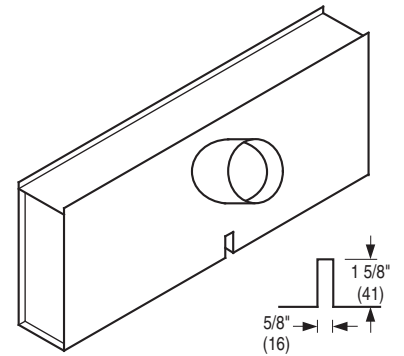
The factory installed mounting clips assist to reinforce and stabilize the plenum during and after installation.

- M1 One Side**
(2 supplied opposite inlet side)
- M2 Both sides**
(4 total supplied)



CN Cross Notch

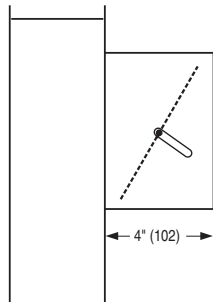
The CN Cross Notch option allows a 48" (1200) plenum unit to be installed in a 24" x 24" (600 x 600) ceiling grid. Available on both supply and return models.



ID Inlet Damper

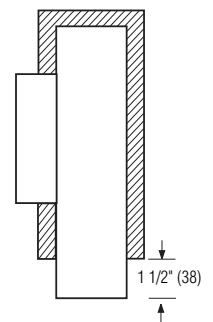
(Supply models only)

This single blade damper is an economical factory installed option that permits air balancing of the device at the plenum inlet. Ceiling access is required.



EX External Foil Back Insulation

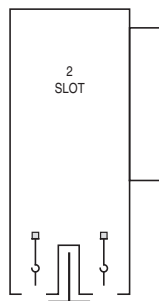
1/2" (13) thick fiberglass blanket with a reinforced aluminum foil scrim-kraft (FSK) facing that provides a vapor barrier. The insulation is wrapped around the outside of the plenum. It is an option on all non-insulated models.



ST Straddle T-Bar

The ST Straddle T-Bar option is a center channel that allows the plenum to straddle the T-Bar.

It is an option on both 2 or 4 slot units. (The T-Bar is supplied by others.)

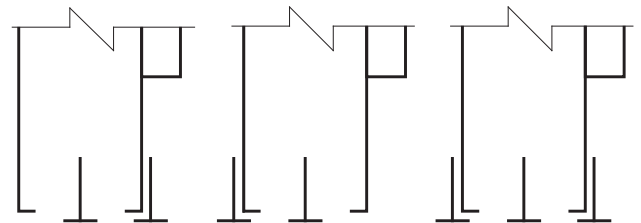


Supplementary T-Bars

- T1** One on inlet side
- T0** One opposite inlet side
- T2** Two on both sides

As standard, multiple slot plenums include factory installed center T-Bars.

However, if required, supplementary T-Bars can be ordered as an optional accessory for either one side or both sides of the plenum.



SCHEDULE TYPE:

PROJECT:

ENGINEER:

CONTRACTOR:

Dimensions are in inches (mm).

DATE

B SERIES

SUPERSEDES

DRAWING NO.

4 - 19 - 18

56/57/5800

4 - 28 - 14

PSD-A