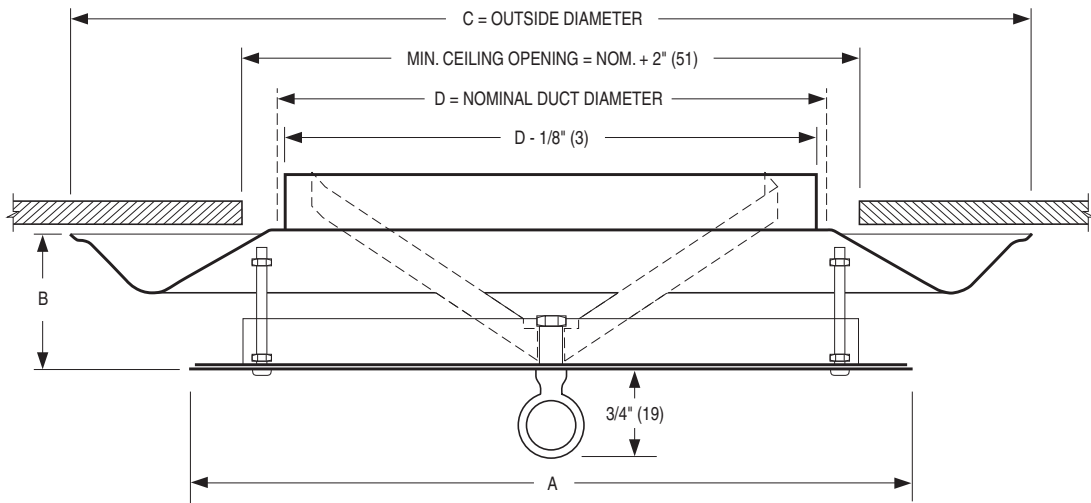
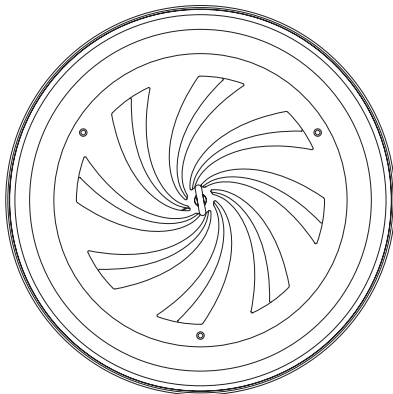




**ROUND DOWNBLAST DIFFUSER**  
**STEEL • HEAVY DUTY • ADJUSTABLE**  
**VERTICAL TO HORIZONTAL DISCHARGE PATTERN**  
**MODEL: RDB**



**Face View**



**Dimensional Data**

Listed Size D	Imperial Units (inches)			Metric Units (mm)		
	A	B	C	A	B	C
8	11 11/16	2 1/4	14 3/8	297	57	365
10	14	2 9/16	17 15/16	356	65	456
12	16 1/4	3	21 5/8	413	76	549
14	18 5/8	3 3/8	25 1/4	473	86	641
16	20 7/8	4	29	530	102	737
18	23 1/4	4 1/2	33 1/2	591	114	851
20	25 1/2	5 7/16	37 1/4	648	138	946
24	30 3/16	6 1/2	43 7/8	767	165	1114

**DESCRIPTION:**

1. Material: Heavy gauge corrosion resistant steel.
2. The Nailor RDB heavy duty round downblast ceiling diffusers have been designed for industrial and commercial applications. Unique contemporary design features a "Fibonacci spiral" adjustable aperture.
3. Especially suitable for theaters, auditoriums, factories, warehouses, convention halls, coliseums, shopping malls and other applications where ceilings are high and conditions variable.
4. The discharge pattern can be adjusted from full horizontal to full vertical. At the full vertical setting, the diffuser forces approximately 75% of the air in a long downward projection. This results in effective spot cooling or heating from high mounting locations.
5. Uniform 360° discharge pattern in the horizontal mode with excellent performance in VAV applications.
6. Ring operator can be adjustable with a pole.
7. An optional round opposed blade damper is screwdriver operated and adjusted through the aperture or by removing the inner core of the diffuser.
8. Standard finish is AW Appliance White.

**OPTIONS:**

- GK Foam gasket
  - EQ Earthquake Tabs
- Finish:
- SP Special. Specify \_\_\_\_\_ .

<b>SCHEDULE TYPE:</b>	Dimensions are in inches (mm).			
<b>PROJECT:</b>				
<b>ENGINEER:</b>	<b>DATE</b>	<b>B SERIES</b>	<b>SUPERSEDES</b>	<b>DRAWING NO.</b>
<b>CONTRACTOR:</b>	1 - 9 - 04	RBD	12 - 8 - 03	RDB-1