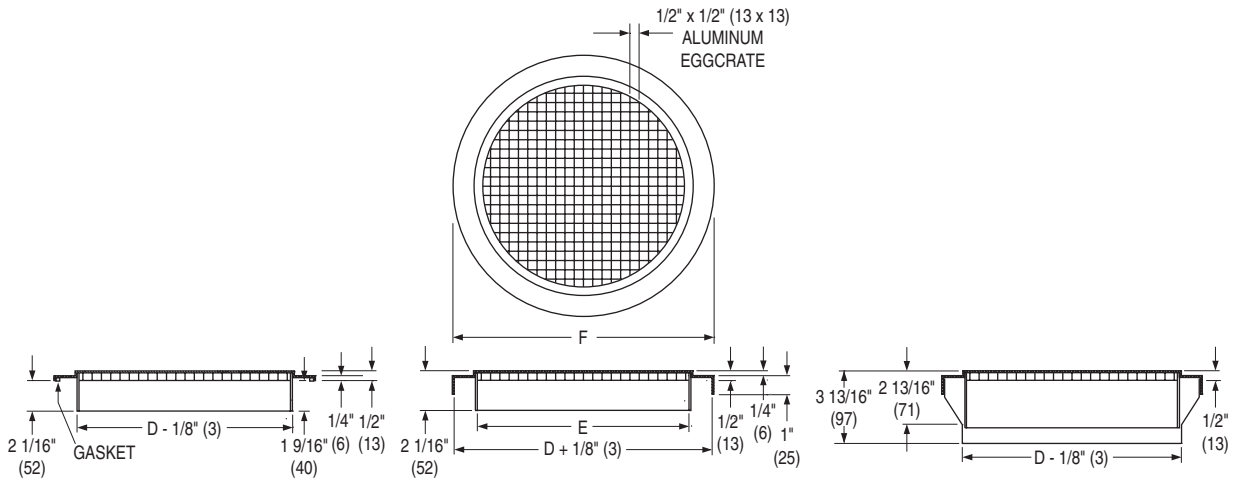




ROUND EGGCRATE GRILLES
ALUMINUM • ROUND NECK
MODEL: RECG



SM Frame
(Surface Mount)

RD Frame
(Exposed Round Duct)

RR Frame
(Round Reducer)

Nominal Size	SM Frame		RD Frame †			RR Frame	
	D	F	D	E	F	D	F
6 (152)	6 (152)	8 1/4 (210)	8 (203)	6 (152)	8 1/4 (210)	6 (152)	8 1/4 (210)
8 (203)	8 (203)	10 1/4 (260)	10 (254)	8 (203)	10 1/4 (260)	8 (203)	10 1/4 (260)
10 (254)	10 (254)	12 1/4 (311)	12 (305)	10 (254)	12 1/4 (311)	10 (254)	12 1/4 (311)
12 (305)	12 (305)	14 1/4 (362)	14 (356)	12 (305)	14 1/4 (362)	12 (305)	14 1/4 (362)
14 (356)	14 (356)	16 1/4 (413)	16 (406)	14 (356)	16 1/4 (413)	14 (356)	16 1/4 (413)
16 (406)	16 (406)	18 1/4 (464)	18 (457)	16 (406)	18 1/4 (464)	16 (406)	18 1/4 (464)
18 (457)	18 (457)	20 1/4 (514)	20 (508)	18 (457)	20 1/4 (514)	18 (457)	20 1/4 (514)
20 (508)	20 (508)	22 1/4 (565)	22 (559)	20 (508)	22 1/4 (565)	20 (508)	22 1/4 (565)
22 (559)	22 (559)	24 1/4 (616)	24 (610)	22 (559)	24 1/4 (616)	22 (559)	24 1/4 (616)
24 (610)	24 (610)	26 1/4 (667)	26 (660)	24 (610)	26 1/4 (667)	24 (610)	26 1/4 (667)
30 (762)	30 (762)	32 1/4 (819)	32 (813)	30 (762)	32 1/4 (819)	—	—

Note:

† The RD frame model nominal size is 2" (51) smaller than the duct size it mounts to.
 Example: A size 10 mounts on a 12" (305) duct.

Inches are measured to the nearest 1/16" (2).

DESCRIPTION:

1. Material: Heavy gauge aluminum construction with 1/2" x 1/2" (13 x 13) aluminum grid core is standard.
2. Model RECG Round Eggcrate Grille has been designed for use in commercial and industrial applications. It has a low air resistance and low noise levels. The RECG can be used for exhaust, return or supply applications. When the RECG is used as a supply device, the air exits as a column of air and has a natural expansion of 22° included angle. This grille can be installed in a ceiling, on a wall or mounted on exposed ductwork.
3. Frame Type SM –
 Concealed mounting system. Mounting screws are included.
 Frame Type RD –
 Frame slides cleanly over end of exposed duct work. Mounting screws are included.
 Frame Type RR –
 Frame slides cleanly into end of exposed duct work. Mounting screws are included.
4. Standard finish is AW Appliance White.

OPTIONS:

- Frame:
- SM Surface Mount (Wall/Ceiling)
 - RD Exposed Round Duct
 - RR Round Reducer
- Finish:
- SP Special.
Specify: _____ .

SCHEDULE TYPE		Dimensions are in inches (mm).			
PROJECT					
ENGINEER	DATE	B SERIES	SUPERSEDES	DRAWING NO.	
CONTRACTOR	1 - 31 - 19	RECG	11 - 29 - 18	RECG-1	