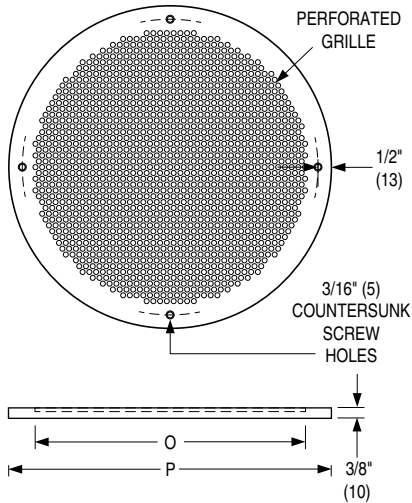
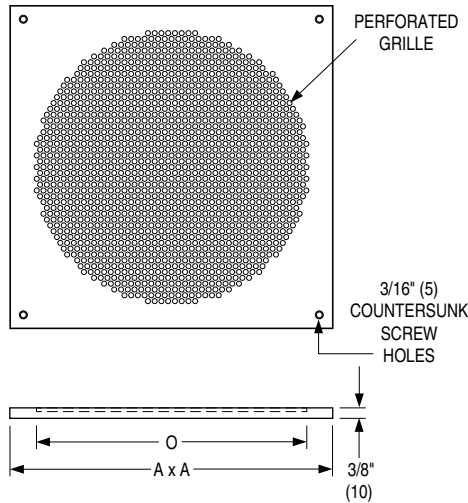




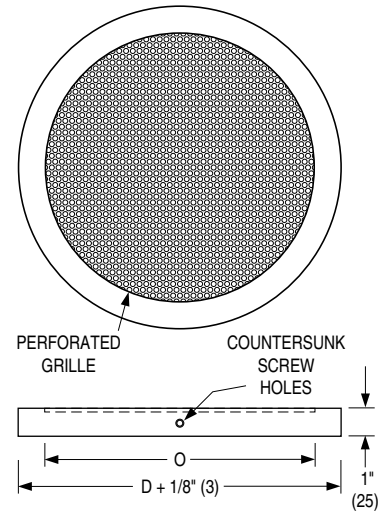
ROUND PERFORATED GRILLES
STEEL OR ALUMINUM • WALL OR CEILING MOUNT
ROUND NECK
MODEL: RPG



SM Frame
 (Surface Mount)
 Round Panel



SMP Frame
 (Surface Mount)
 Square Panel



RD Frame
 (Exposed Round Duct)

Nominal Size	SM Frame		SMP Frame			RD Frame	
	O	P	O	D x D	A x A	O	D
4	4 (102)	6 (152)	4 (102)	4 x 4 (102 x 102)	6 x 6 (152 x 152)	4 (102)	6 (152)
5	5 (127)	8 (203)	5 (127)	5 x 5 (127 x 127)	8 x 8 (203 x 203)	5 (127)	6 (152)
6	6 (152)	8 (203)	6 (152)	6 x 6 (152 x 152)	8 x 8 (203 x 203)	6 (152)	8 (203)
8	8 (203)	10 (254)	8 (203)	8 x 8 (203 x 203)	10 x 10 (254 x 254)	8 (203)	10 (254)
10	10 (254)	12 (305)	10 (254)	10 x 10 (254 x 254)	12 x 12 (305 x 305)	10 (254)	12 (305)
12	12 (305)	14 (356)	12 (305)	12 x 12 (305 x 305)	14 x 14 (356 x 356)	12 (305)	14 (356)
14	14 (356)	16 (406)	14 (356)	14 x 14 (356 x 356)	16 x 16 (406 x 406)	14 (356)	16 (406)
16	16 (406)	18 (457)	16 (406)	16 x 16 (406 x 406)	18 x 18 (457 x 457)	16 (406)	18 (457)

Inches are measured to the nearest 1/16" (2).

DESCRIPTION:

1. Material: Heavy gauge steel construction is standard.
2. Model RPG Round Perforated Grille combines versatility and modern esthetics of a flowing circular design with superior performance and high quality. The architectural grilles are designed for applications requiring wall or ceiling mount and are not intended for floor use. They can be used for supply, return or exhaust air.
3. Frame Type SM – Round panel wall or ceiling mount. Mounting screws are provided.
 Frame Type SMP – Square panel wall or ceiling mount. Mounting screws are provided.
 Frame Type RD – Exposed round duct work for wall or ceiling mount. Mounts cleanly to exposed duct work.
4. Standard finish is AW Appliance White.

OPTIONS:

Frame:

- SM Surface Mount (Wall/Ceiling)
- SMP Surface Mount (Wall/Ceiling) Square Panel
- RD Exposed Round Duct
- ALC Aluminum construction

Finish:

- SP Special.
Specify: _____

SCHEDULE TYPE

PROJECT

ENGINEER

CONTRACTOR

Dimensions are in inches (mm).

DATE

B SERIES

SUPERSEDES

DRAWING NO.

3 - 7 - 19

RPG

11 - 29 - 18

RPG-1