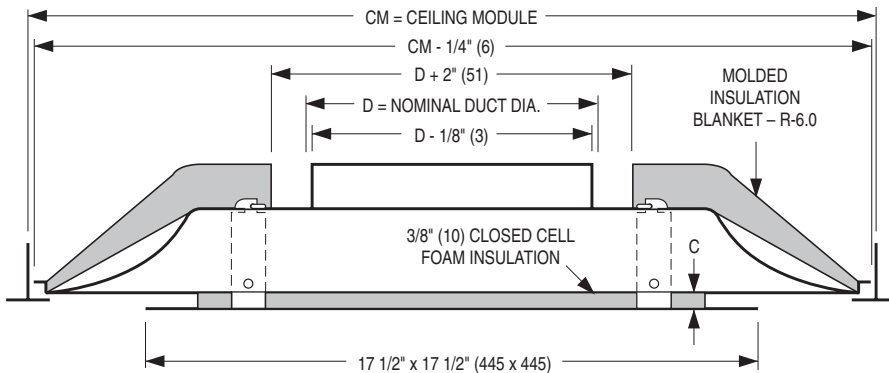




ARCHITECTURAL CEILING DIFFUSERS FOR HIGH HUMIDITY/LOW TEMPERATURE APPLICATIONS
SQUARE PLAQUE • CORNER POSTS • INSULATION
ROUND NECK
MODELS: UNI2-HH, AUNI2-HH

TYPE L Lay-in T-Bar



Dimensional Data

CM		Imperial Units (inches)			Metric Units (mm)		
Imperial Modules	Metric Modules	Duct Size D	B	C	Duct Size D	B	C
24 x 24	600 x 600	6, 8, 10, 12, 14, 15	22	3/8	152, 203, 254, 305, 356, 381	559	10

STANDARD CONSTRUCTION:

- UNI2-HH Corrosion-resistant steel
- AUNI2-HH Aluminum

DESCRIPTION:

1. The diffuser provides condensation resistance, while delivering a tight 360° radial horizontal pattern allowing high turn down ratios with no dumping. Excellent for VAV systems.
2. The diffuser features a stamped one-piece outer-cone backpan which eliminates mitered corners. The backpan is covered with a foil faced R-6.0 molded insulation blanket which provides excellent condensation resistance. The inner face panel is backed by 3/8" (10) closed cell foam that insulates the plaque from cold supply air. The inner face panel features a hemmed edge for strength and a clean appearance. The hemmed edge also mechanically captures the hanger brackets. This design eliminates welding and assures a clean, smooth, blemish-free painted finish under all lighting conditions.
3. The face panel is held in place by four hook corner posts that positively engage into slots in the backpan. The panel can be removed from the backpan for diffuser installation and to provide access to an optional inlet damper.
4. Standard finish is AW Appliance white (optional finishes are available).

OPTIONS:

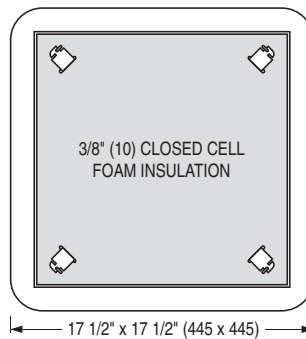
Dampers:

- 4250 Radial Sliding Blade Damper
- 4275 Radial Opposed Blade Damper
- 4675 Butterfly Damper
- EQT Earthquake Tabs

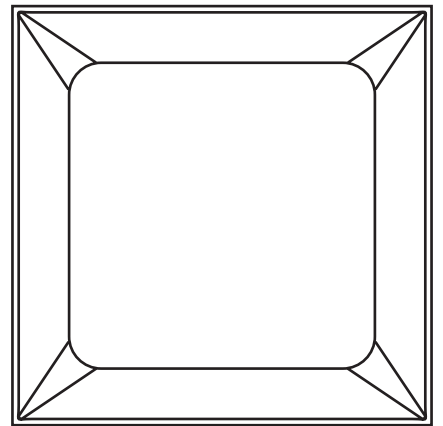
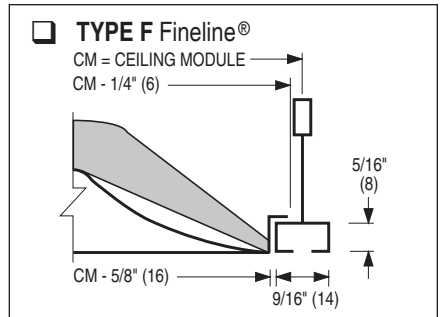
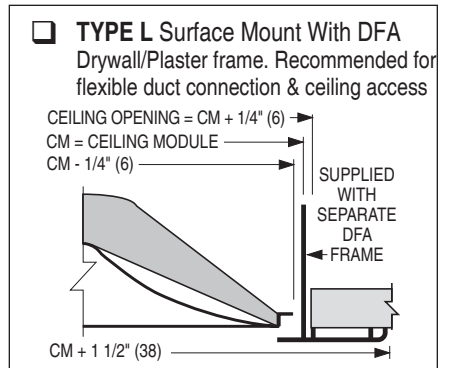
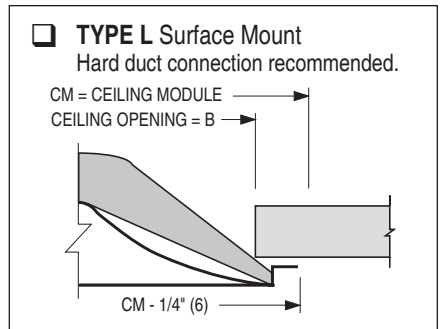
Finish:

- SP Special. Specify _____.

Fineline® is a registered trademark of USG Interiors Inc.



PLAQUE FACE



FACE VIEW

Dimensions are in inches (mm).

SCHEDULE TYPE:

PROJECT:

ENGINEER:

CONTRACTOR:

DATE

B SERIES

SUPERSEDES

DRAWING NO.

4 - 1 - 22

UNI

12 - 15 - 20

UNI2-HH