
**Dimensional Data**

CM	Neck Size D	B
24 x 24 (610 x 610)	6, 8, 10, 12, 14 (152, 203, 254, 305, 356)	22 (559)

**DESCRIPTION:**

1. The UNI2-VAV is a variable volume diffuser that regulates the amount of supply air into the space. The diffuser incorporates an integral modulating disc damper that continuously regulates the volume of supply air in response to a wall mounted thermostat. The master diffuser has a factory mounted controller, heat/cool changeover sensor and 24 Vac, 3-wire floating point actuator (2 VA).
2. The UNI2-VAV Diffuser design provides both an unobtrusive appearance for architectural excellence and engineered performance. The diffuser features a stamped one-piece outer-cone backpan which eliminates mitered corners. The inner face panel features a hemmed edge for strength and a clean appearance.
3. A compatible thermostat is required and supplied as standard on master units and can control up to 19 auxilliary diffusers (with a 40 VA transformer). The standard standalone electronic thermostat provides P + I control and features a LCD digital display. A BACnet option is available.
4. The diffuser delivers a tight 360° radial horizontal pattern allowing high turn down ratios with no dumping.
5. The face panel is held in place by four hook corner posts that positively engage into slots in the backpan and can be removed from the backpan for diffuser installation.
6. Material: Corrosion-resistant steel.
7. Standard finish is AW Appliance White.

**SCHEDULE TYPE:**
**PROJECT:**
**ENGINEER:**
**CONTRACTOR:**

Page 1 of 2  
 Dimensions are in inches (mm).

**DATE**
**B SERIES**
**SUPERSEDES**
**DRAWING NO.**

12 - 20 - 23

UNI

12 - 12 - 23

UNI2-VAV



**VARIABLE AIR VOLUME (VAV) DIFFUSER**  
**SQUARE PLAQUE • CORNER POSTS**  
**ROUND NECK • STEEL**  
**MODEL: UNI2-VAV**

**REQUIRED SELECTIONS:**

Configuration:

- MSTE Master, Electronic
- AUXE Auxiliary, Electronic
- MSTB Master, BACnet
- AUXB Auxiliary, BACnet

Thermostat (Master only):

- TE Electronic, Digital Display (deg. F or C) (default for MSTE)
- TBNF BACnet, Digital Display (deg. F) (default for MSTB)
- TBNC BACnet, Digital Display (deg. C)
- TBO None (by others)

Finish:

- AW Appliance White (default)
- SP Special finish Specify \_\_\_\_\_

**BC Sizes:**

Ring Diameter	Diffuser Neck Diameter
BC06 - 06" (152)	10" (254)
BC08 - 08" (203)	12" (305)
BC10 - 10" (254)	12" (305)
BC12 - 12" (305)	14" (356)

**OPTIONS:**

Transformer:

- TR20 20VA 120/24 Vac
- TR40 40VA 120/24 Vac
- TR50 50VA 480/277/240/208/120 to 24 Vac

BC Bypass Collar:

- None (default)
- BC06 6" dia.
- BC08 8" dia.
- BC10 10" dia.
- BC12 12" dia.

QB Quadrant Blanks:

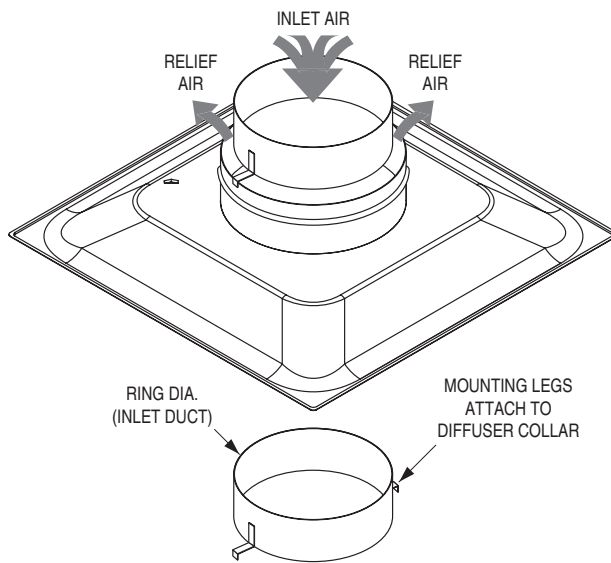
- None (default)
- QB3 3-Way Blow
- QB2 2-Way Opposite Blow
- QC2 2-Way Corner Blow
- QB1 1-Way Blow

Blanket:

- None (default)
- MIB Molded Insulation Blanket, R-6.0

BC Bypass Relief Collar

This accessory relieves excess static pressure when throttling airflow and limits diffuser noise by bypassing excess air into the ceiling plenum. At maximum flow (damper fully open) no air is bypassed and at zero flow (damper fully closed) all air is bypassed. The diffuser neck size must be selected larger than the required ring diameter (inlet duct connection). See table.

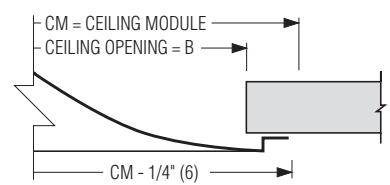


Bypass Relief Collar

**Frame / Border Type:**

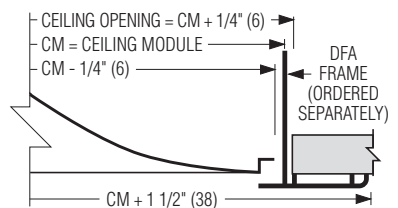
**TYPE L Surface Mount**

Hard duct connection recommended.

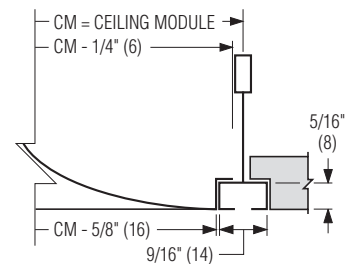


**TYPE L Surface Mount With DFA**

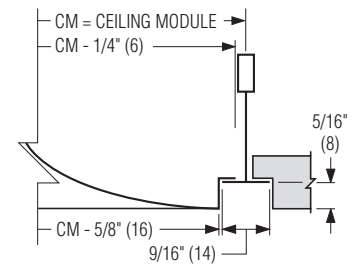
Drywall/Plaster frame. Recommended for flexible duct connection and ceiling access.



**TYPE F Finline® 9/16" Bolt Slot T-Bar**



**TYPE F Finline® 9/16" Tegular T-Bar**



Finline® is a registered trademark of USG Interiors Inc.

**SCHEDULE TYPE:**

**PROJECT:**

**ENGINEER:**

**CONTRACTOR:**

Page 2 of 2  
 Dimensions are in inches (mm).

DATE	B SERIES	SUPERSEDES	DRAWING NO.
12 - 20 - 23	UNI	12 - 12 - 23	UNI2-VAV