

MODELS 0755(A) & 0756(D) FOR WOOD TRUSS CEILING ASSEMBLIES

Models 0755(A) and 0756(D) Ceiling Radiation Dampers have been designed and tested for simple installation in specific UL design wood truss ceiling assemblies. They are UL Classified for use in specific 1 hour rated UL floor/ceiling and roof/ceiling designs. Model 0755 ships complete with thermal blanket and top inlet round duct connection. Model 0756 features a factory sheet metal plenum for steel grille/diffuser mount. Model 0756D is for ducted off-AHU applications with up to 3 diffuser/register supply outlet duct collar(s).



Models 0755 & 0756 (L to R)



Models 0757 & 0757D (L to R)

MODEL 0757 FOR WOOD TRUSS CEILING ASSEMBLIES

Designed for steel grille/diffuser mount supply applications. Requires a steel or fiberglass plenum (boot/register box) by others.

MODEL 0757D FOR WOOD TRUSS CEILING ASSEMBLIES

Designed for ducted off-AHU applications. Requires a steel or fiberglass plenum (by others) with up to 3 duct outlet collars permitted.

MODEL 0763 FOR WOOD TRUSS CEILING ASSEMBLIES

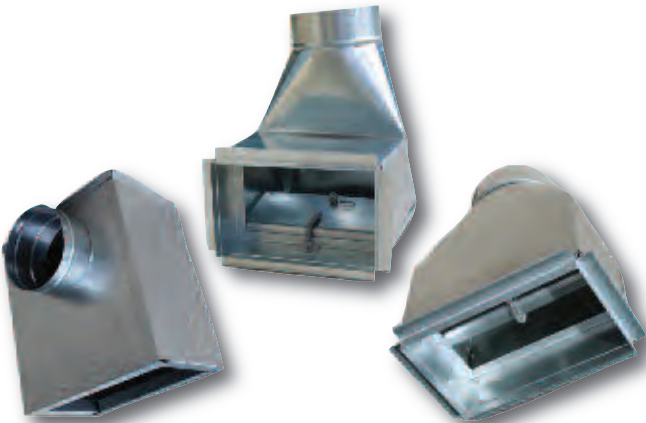
Model 0763 Ceiling Radiation Dampers have been designed and tested for simple installation in specific UL design wood truss ceiling assemblies. They are UL Classified for use in 1 hour rated UL floor/ceiling and roof/ceiling design numbers. Model 0763 ships complete with thermal blanket and top inlet round duct connection. Model 0763 is a round damper designed to mount inside an internally insulated steel plenum (by others) that accommodates a steel grille, register or diffuser, by Nailor or by others.



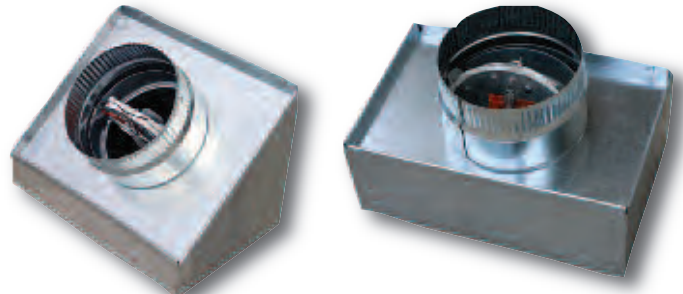
Model 0763

MODELS 0757 (-CB, -DB, -EB), and 0763 (-FB, -GB) FOR WOOD TRUSS CEILING ASSEMBLIES

These models are register boxes with integral ceiling dampers. They have been specifically designed and tested to provide protection and simple installation in specific UL design wood truss ceiling assemblies. Model 0757-DB features a 90° side inlet (tapered); Model 0757-CB features a 90° side inlet and is insulated. Model 0763-FB is insulated with a 45° inlet; Model 0757-EB features a tapered top inlet; Model 0763-GB is insulated with a top inlet.



Models 0757-CB, 0757-DB and 0757-EB (L to R) with Nailor supplied steel plenum/register box.



Models 0763-FB and 0763-GB (L to R) with Nailor supplied steel plenum/register box.

CEILING DAMPER BASICS

Definition of a Ceiling Damper (per NFPA Standard 90A):

“A device installed to limit radiant heat transfer through an air outlet or air inlet opening in the ceiling of a floor-or roof-ceiling assembly having not less than a 1 hour fire resistance rating.”

What is the difference between a Ceiling Damper and a standard Fire Damper?

In order to comprehend the difference we must first understand some of the theory behind fire-rated ceilings. A fire-rated ceiling’s primary function is to protect the structure above it from excessive heat and potential subsequent collapse by providing a fire and heat retardant barrier between the fire area and the structural floor above.

Without any openings in the fire-rated ceiling, it would perform as designed by limiting the transfer of heat through the floor above it. Problems arise when we pierce the protective ceiling with big holes to accommodate environmental control devices such as grilles and diffusers. To close these openings should a fire occur, devices called Ceiling Dampers (also commonly called radiation dampers or firestop flaps in Canada) have been developed. If the openings were to remain unobstructed during a fire, generated heat would tend to rapidly flow through in concentration due to a ‘funnel effect’ created at the openings as the hot combustion gases expand and rise. This focuses the intense heat into the structure area directly above the openings, potentially causing severe structural damage (See Figure 1). Ceiling dampers are specifically designed to protect against this phenomenon by firstly, closing the opening to stop any air flow and secondly, by reducing the amount of heat that is conducted and, most importantly, radiated through the device. This is most important, as a regular fire damper although fine for stopping flame and migratory air flow, is virtually transparent to heat and therefore ineffective in this application.

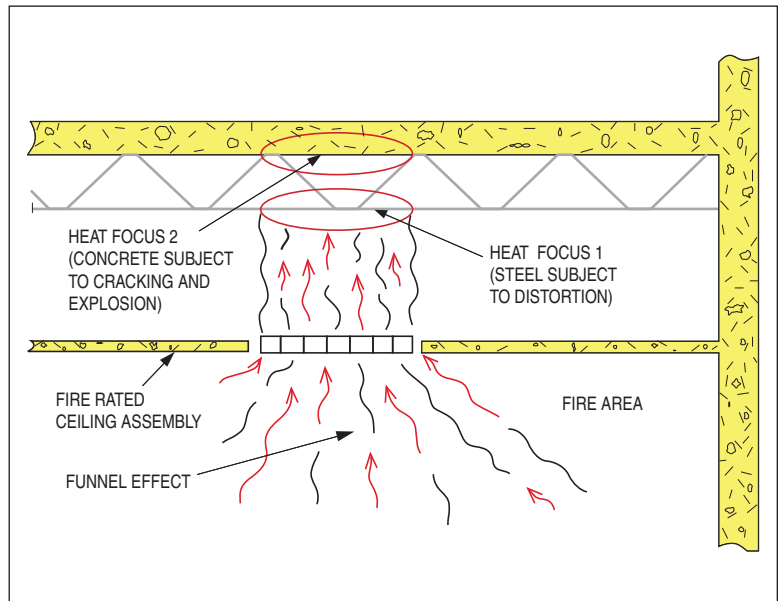


FIGURE 1

- Ceiling Dampers are tested by Underwriter’s Laboratories to the strict criteria of UL 555C, Safety Standard for Ceiling Dampers which includes tests for:
 1. Fire Endurance
 2. Closing Reliability
 3. Salt-Spray Exposure
 4. Spring Closing Force (if applicable)
- Ceiling Dampers are not assigned hourly ratings themselves, but rather are listed for use as a component in an assembly designated for use in fire resistance assemblies having specific hourly ratings.
- All Nailor Ceiling Dampers are classified (Category CABS/CABS7) for use in any UL floor/ceiling or roof/ceiling restrained or unrestrained type assembly with up to a 3 hour fire resistance rating.

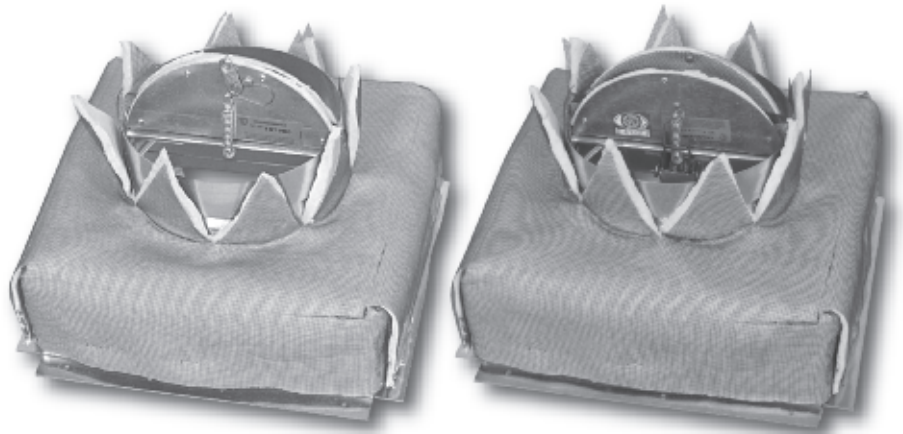
For a more in depth look into ceiling dampers, see pages C6 – C9.

- UL 263 CLASSIFIED
- GRILLE/DIFFUSER MOUNT
- TOP INLET
- OPTIONAL ADJUSTABLE VOLUME CONTROL

Models:

0755 Basic Unit

0755A Adjustable with Volume Control



Models 0755 & 0755A

Models 0755 and 0755A Wood Truss Ceiling Damper Assemblies have been designed and tested for simple installation in UL design wood truss ceiling assemblies. They are UL Classified for use in specific 1 hour rated UL floor/ceiling and roof/ceiling designs. Each unit ships complete with integral thermal blanket and a top inlet round duct connection to accept UL Classified Class 0 or 1 flex duct. Be sure to check available ceiling plenum depth to ensure sufficient clearance for attachment and curving of flex duct without damper interference. Model 0755A includes an adjustable volume control mechanism that permits airflow balancing at the diffuser.

QUALIFICATIONS:

- **UL 263 CLASSIFIED CEILING DAMPER. Category CABS.** (File # R9660).
- **1 hour rated for use in UL floor/ceiling design numbers L550/L562/L574/L579/L585/L592/M501/M503/M526 and roof/ceiling design numbers P531/P538/P545/P547/P549/P552/P570.** (Other proprietary UL design numbers may be similar. Local approval by AHJ is required to use a Nailor design when not specified).
- **Meets NFPA 90A requirements.**

STANDARD CONSTRUCTION:

- Fusible Link:** UL Listed, 212°F (100°C), standard.
- Blades:** 22 ga. (0.85) galvanized steel.
- Insulation:** Ceramic fiber insulation.
- Frame:** 22 ga. (0.85) galvanized steel.
- Duct:** UL Classified Class 0 or 1 flexible air duct by others.
- Vol. Control:** Optional adjustable volume control. (Model 0755A).
- Flange:** Plaster flange.
- Blanket:** Ceramic fiber thermal blanket.
- Steel Grille/ Diffuser:** Optional or by others.

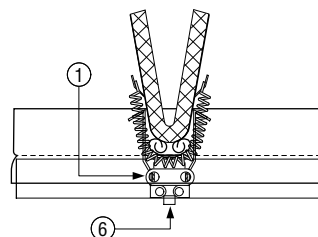
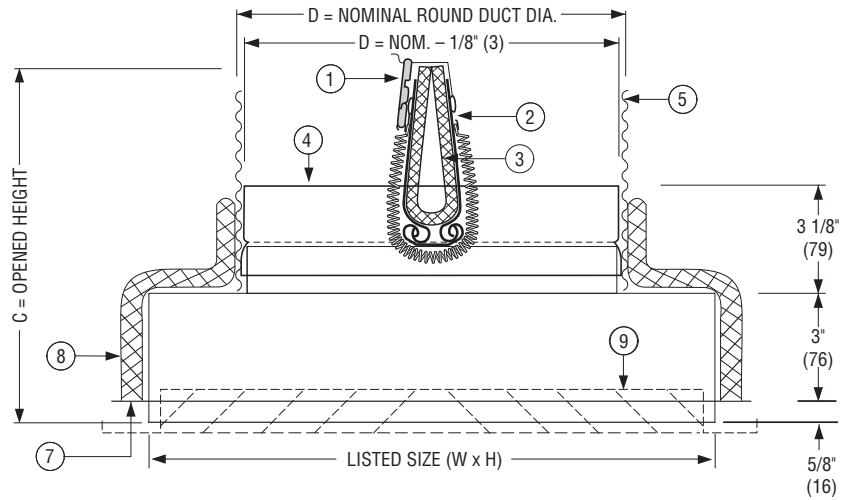
Models 0755 & 0755A Sizes (W x H):

Minimum	Maximum	W x H = Nominal Grille/ Register Size
6" x 6" (152 x 152)	12" x 12" (305 x 305)	

Available Duct Connection Size: 4" through 8" (102 – 203) dia. Building code and UL Classification require damper installation in accordance with manufacturer's instructions.

COMMON OPTIONS:

- 165°F (74°C) UL Listed fusible link.
- Installation Support Angles. 26" (660) long:
ISA 2 @ 3/4" x 3/4" x 16 ga. (19 x 19 x 1.6).
ISB 2 @ 1 1/2" x 1 1/2" x 22 ga. (38 x 38 x 0.85).



0755A Damper Design

Nominal Duct Size	Opened Height C
* 4" (102)	6 1/2" (165)
5" (127)	7" (178)
6" (152)	7 1/2" (191)
7" (178)	8" (203)
8" (203)	8 1/2" (216)

* Not available on Model 0755A

HOW TO SPECIFY OR TO ORDER

MODELS: 0755 AND 0755A

WOOD TRUSS CEILING DAMPERS (ADJUSTABLE VOLUME CONTROL OPTION)

SUGGESTED SPECIFICATION:

Provide and install, as shown on plans and/or schedules, ceiling dampers as manufactured by Nailor Industries, Inc., qualified for use in specific wood truss ceiling assemblies with 1 hour fire rating which meet the following criteria: Ceiling Dampers shall be tested in accordance with UL 263 Standard for Fire Tests of Building Construction and Materials, and shall bear a UL label verifying the same. Ceiling Dampers tested and labelled in accordance with UL 555C Standard for Ceiling Dampers are not approved or acceptable.

Frame and blade shall be constructed of 22 ga. (0.85) galvanized steel. Damper assembly shall incorporate a thermal blanket for complete protection of transition housing. Each ceiling damper shall be held open with a **(specifier to select)** 212°F (100°C) or 165°F (74°C) UL Listed fusible link. Ceiling dampers shall ship with and be installed in accordance with manufacturer's UL approved installation instructions. Information submitted for approval shall include same UL installation instructions.

Standard of acceptance shall be Nailor Industries Model 0755.

(Specifier to select, if required) for Adjustable Volume Control option, Model 0755A, add the following: Ceiling dampers shall incorporate an adjustable volume control mechanism for balancing of airflow at the diffuser. Standard of acceptance: shall be Nailor Industries Model 0755A.

MODELS: 0755, 0755A

WOOD TRUSS CEILING RADIATION DAMPERS – UL 263

EXAMPLE: 0755 - 12" x 6" - 06 - 212

1. Models

- 0755 Top Inlet, Grille Mount
- 0755A Top Inlet, Grille Mount with Adjustable Volume Control

2. Ceiling Opening Size

- Width x Height (inches [mm's])
- 6" x 6" (150 x 150)
- 8" x 6" (200 x 150)
- 8" x 8" (200 x 200)
- 10" x 8" (254 x 200)
- 10" x 10" (254 x 254)
- 12" x 6" (300 x 150)
- 12" x 8" (300 x 200)
- 12" x 10" (300 x 254)
- 12" x 12" (300 x 300)

3. Neck Size

- Diameter (inches [mm's])
- 04 4" (102) Round
- 05 5" (127) Round
- 06 6" (152) Round

4. Fusible Link Temperature

- 212 212°F (100°C) (default)
- 165 165°F (74°C)

5. Support Angles

- ISA 2 @ 3/4" x 3/4" x 16 ga. (19 x 19 x 1.6)
- ISB 2 @ 1 1/2" x 1 1/2" x 22 ga. (38 x 38 x 0.85)

Available Sizes:

Ceiling Opening Size	Round Neck Size*
6" x 6" (152 x 152) 8" x 6" (203 x 152) 10" x 6" (254 x 152) 12" x 6" (305 x 152)	4", 5", 6" (102, 127, 152)
8" x 8" (203 x 203) 10" x 8" (254 x 203) 12" x 8" (305 x 203)	4", 5", 6", 7", 8" (102, 127, 152, 178, 203)
10" x 10" (254 x 254) 12" x 10" (305 x 253)	4", 5", 6", 7", 8" (102, 127, 152, 178, 203)
12" x 12" (305 x 305)	4", 5", 6", 7", 8" (102, 127, 152, 178, 203)

* 4" (102) not available on Model 0755A

H CEILING DAMPERS

- UL 263 CLASSIFIED
- GRILLE/DIFFUSER MOUNT OR DUCTED
- SIDE INLET
- STEEL PLENUM

Models:

0756 Grille/Diffuser Mount

0756D Ducted

Models 0756 and 0756D Ceiling Radiation Damper Assemblies with Steel Plenums have been designed and tested for simple installation in specific wood truss ceiling assemblies. They are UL Classified for use in specific 1 hour rated UL floor/ceiling and roof/ceiling designs. Model 0756 is designed to accommodate a steel grille/diffuser in applications where the plenum terminates at the ceiling. Model 0756D is designed for installation in supply ductwork take-off from an AHU where it penetrates the ceiling and provides a multiple-outlet plenum to feed 0756 grille/diffuser assemblies. The 0756D damper sleeve extends below the ceiling, suitable for ducted connection. Both models feature side connection collars to accept UL Classified Class 0 or 1 flex duct.

QUALIFICATIONS:

- **UL 263 CLASSIFIED CEILING DAMPER.** Category CABS. (File # R9660).
- **1 hour rated for use in UL floor/ceiling design numbers L550/L562/L574/L579/L585/M501/M503 and roof/ceiling design numbers P531/P538/P545/P547/P552.** (Other proprietary UL design numbers may be similar. Local approval by AHJ is required to use a Nailor design when not specified).
- Meets NFPA 90A requirements.

MODEL: 0756

STANDARD CONSTRUCTION:

- Fusible Link:** UL Listed, 212°F (100°C), standard.
- Blades:** 22 ga. (0.85) roll-formed galvanized steel.
- Blade Insulation:** Non-asbestos UL Classified.
- Damper Frame:** 22 ga. (0.85) galvanized steel.
- Steel Plenum/ Sub-Frame:** 26 ga. (0.55) min. with round connection collar.
- Duct:** UL Classified Class 0 or 1 flexible air duct connection by others.
- Flange:** 5/8" (16) plaster flange.
- Steel Grille/ Register/Diffuser:** By Nailor or others. Bottom of damper sub-frame is flush with ceiling. Standard depth for grille clearance is 2 1/2" (64).

Model 0756 Sizes (W x H):

Minimum	Maximum
6" x 4" (152 x 102)	16" x 12" (406 x 305)

W x H =
Nominal Grille/
Register Size

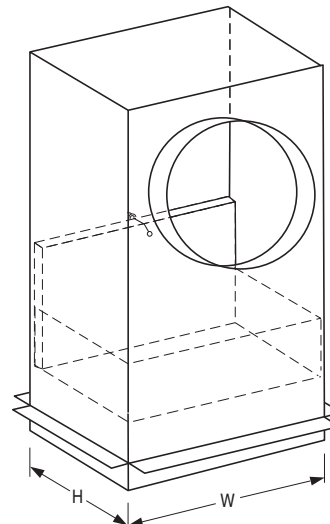
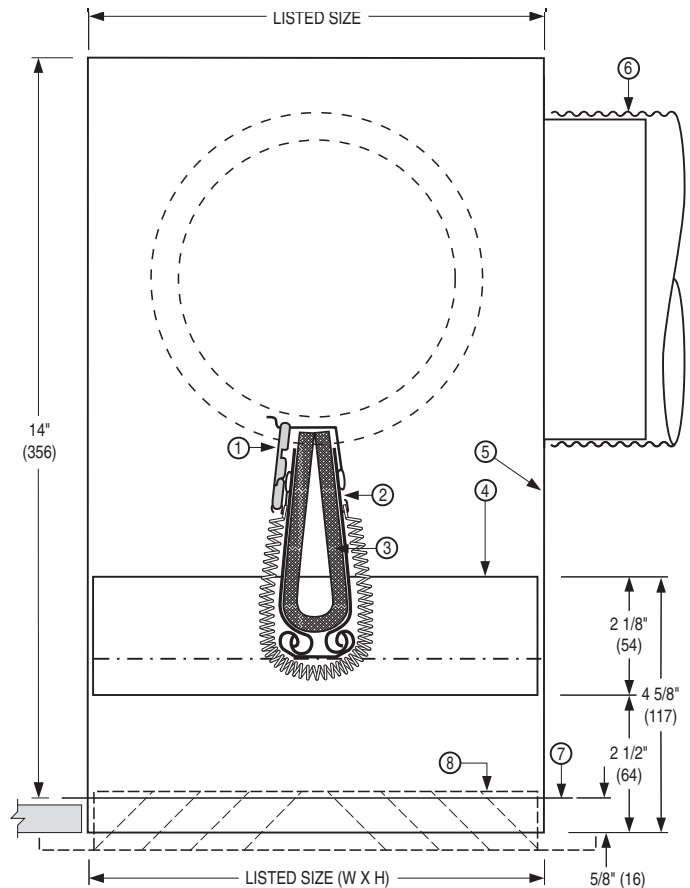
Available Duct Connection Size: 4" through 10" (102 – 254) dia. Building code and UL Classification require damper installation in accordance with manufacturers instructions.

COMMON OPTIONS:

- 165°F (74°C) UL Listed fusible link.
- Damper Style: 0716 Butterfly (Two Blades) Damper standard or 0714 Single Blade Damper.
- Installation Support Angles. 26" (660) long:
ISA 2 @ 3/4" x 3/4" x 16 ga. (19 x 19 x 1.6).
ISB 2 @ 1 1/2" x 1 1/2" x 22 ga. (38 x 38 x 0.85).



Model 0756



Model 0756 Note:

0716 style damper shown above is standard. 0714 Single Blade is also available (left), which places damper out of the airstream.

MODEL: 0756D DUCTED

STANDARD CONSTRUCTION:

1. **Fusible Link:** UL Listed, 212°F (100°C), standard.
2. **Blades:** 22 ga. (0.85) roll-formed galvanized steel.
3. **Blade Insulation:** Non-asbestos UL Classified.
4. **Damper Frame:** 22 ga. (0.85) galvanized steel.
5. **Steel Plenum/ Sub-Frame:** 26 ga. (0.55) min. with round connection collar(s). Maximum of 3.
6. **Duct:** UL Classified Class 0 or 1 flexible air duct connection by others.
7. **Flange:** Plaster flange.
8. **Damper Mounting:** Damper sleeve is extended below ceiling for ducted connection. Damper is mounted in sub-frame to be flush with ceiling when installed.

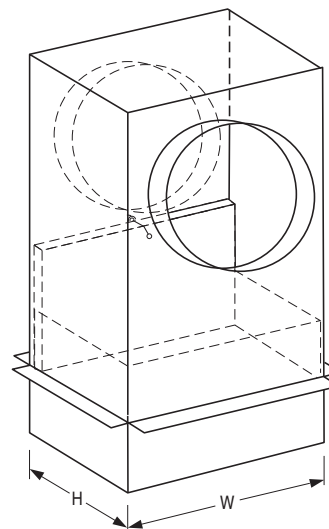
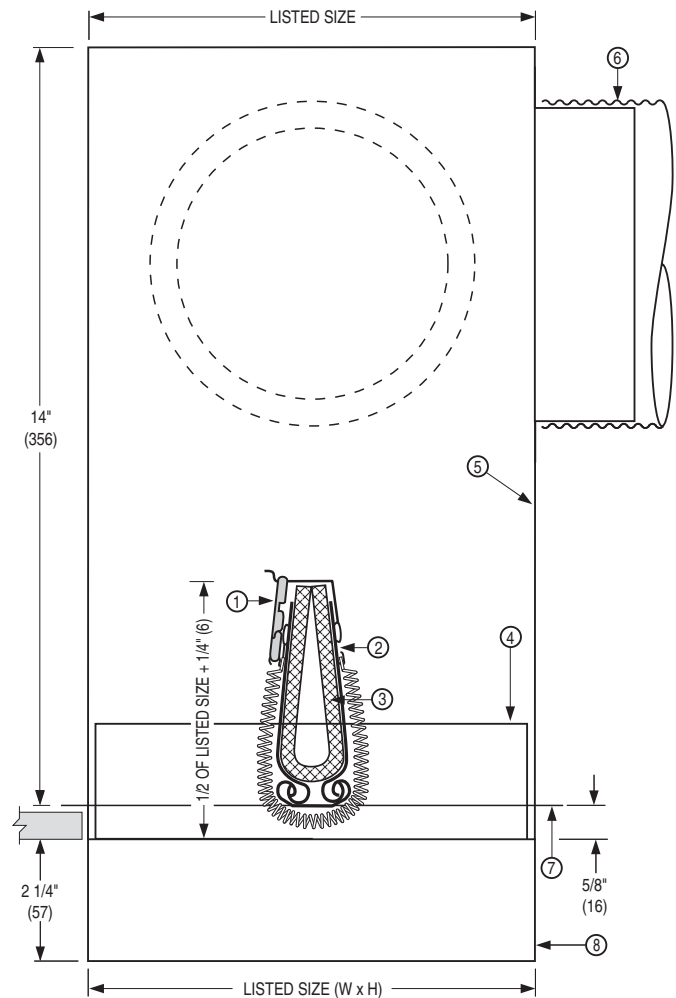
Model 0756D Sizes (Duct W x H):

Minimum	Maximum
6" x 4" (152 x 102)	18" x 18" (457 x 457)

Available Duct Connection Size: 4" through 10" (102 – 254) dia. Maximum quantity is three.

COMMON OPTIONS:

- 165°F (74°C) UL Listed fusible link.
- Damper Style: 0716 Butterfly (Two Blades) Damper standard, 0714 Single Blade Damper or 0720 Low Profile Curtain Damper.
- Installation Support Angles. 26" (660) long:
ISA 2 @ 3/4" x 3/4" x 16 ga. (19 x 19 x 1.6).
ISB 2 @ 1 1/2" x 1 1/2" x 22 ga. (38 x 38 x 0.85).



Model 0756D Note:

0716 style damper shown above is standard. 0714 Single Blade (left), which places damper out of the airstream or 0720 Low Profile Curtain Damper are also available.

HOW TO SPECIFY

MODELS: 0756 AND 0756D

WOOD TRUSS CEILING DAMPERS, GRILLE DIFFUSER MOUNT OR DUCTED ASSEMBLY WITH STEEL PLENUMS

SUGGESTED SPECIFICATION:

Provide and install, as shown on plans and/or schedules, ceiling fire dampers as manufactured by Nailor Industries, Inc., qualified for use in specific wood truss ceiling assemblies with 1 hour fire rating which meet the following criteria: Ceiling Dampers shall be tested in accordance with UL 263 Standard for Fire Tests of Building Construction and Materials, and shall bear a UL label verifying the same. Ceiling Dampers tested and labelled in accordance with UL 555C Standard for Ceiling Dampers are not approved or acceptable.

Frame and blade shall be constructed of 22 ga. (0.85) galvanized steel. Blade insulation shall be non-asbestos, UL Classified. Each ceiling damper shall be held open with a **(specifier to select)** 212°F (100°C) **or** 165°F (74°C) UL Listed fusible link. Ceiling damper assembly shall be provided from the factory with a steel plenum/sub-frame with round connection collar(s) of size indicated on drawings. Ceiling dampers shall ship with and be installed in accordance with manufacturer's UL approved installation instructions. Information submitted for approval shall include same UL installation instructions.

For applications where ductwork terminates at the ceiling, standard of acceptance shall be Nailor Industries Model 0756.

For applications where ductwork is required to continue down past ceiling, plenum (damper sleeve) shall extend down below ceiling suitable for ducted connection. Standard of acceptance shall be Nailor Industries Model 0756D.

- UL 263 CLASSIFIED
- STEEL OR FIBERGLASS PLENUM BY OTHERS

Models:

0757 Grille/Diffuser Mount

0757D Ducted



Models 0757 & 0757D

Model 0757 Ceiling Radiation Dampers are designed to function as a heat barrier in air handling openings penetrating fire resistive membrane ceilings. Model Series 0757 has been especially designed and tested to provide protection and simple installation in specific UL design wood truss ceiling assemblies. Model 0757 rectangular ceiling damper requires a field fabricated steel or fiberglass plenum (boot/register box) by others, that accommodates a steel grille, register or diffuser. They are UL Classified for use in specific 1 hour rated UL floor/ceiling and roof/ceiling design numbers.

Available in grille/diffuser mount style Model 0757, or ducted style Model 0757D, both configurations are designed for use with a field fabricated steel or fiberglass plenum (boot/register box) by others, that accommodates a steel grille, register or diffuser. Model 0757 is designed to accommodate a steel grille/diffuser in applications where the plenum terminates at the ceiling. Model 0757D is designed for installation in the supply (or return) ductwork take-off from an AHU where it penetrates the ceiling and provides a single or multiple-outlet plenum to feed Model 0757 supply ceiling damper grille/diffuser assemblies and has a damper sleeve that extends below the ceiling, suitable for ducted connection. May also be used as a return. Model 0757D rectangular ceiling damper requires a field fabricated steel or fiberglass plenum with up to three outlet collars by others.

QUALIFICATIONS:

- **UL 263 CLASSIFIED CEILING RADIATION DAMPER. Category CABS. (File # R9660).**
- **1 hour rated for use in UL floor/ceiling design numbers L550/L562/L574/L579/L585/M501/M503 and roof/ceiling design numbers P531/P538/P545/P547/P552. (Other proprietary UL design numbers may be similar. Local approval by AHJ is required to use a Nailor design when not specified).**
- **Meets NFPA 90A requirements.**

MODEL: 0757 GRILLE/DIFFUSER MOUNT

STANDARD CONSTRUCTION:

1. UL Listed Fusible Link, 212°F (100°C) is standard.
2. Blades: 22 ga. (0.85) G60 roll-formed galvanized steel.
3. Blade Insulation: Non-asbestos UL Classified.
4. Damper Frame: 24 ga. (0.70) G60 galvanized steel.
5. Plaster flange 7/8" (22).

COMMON OPTIONS:

- 165°F (74°C) UL Listed fusible link.
- Damper Style: 0716 Butterfly (Two Blades) Damper standard or 0714 Single Blade Damper.
- Installation Support Angles. 26" (660) long:
 - ISA 2 @ 3/4" x 3/4" x 16 ga. (19 x 19 x 1.6).
 - ISB 2 @ 1 1/2" x 1 1/2" x 22 ga. (38 x 38 x 0.85).

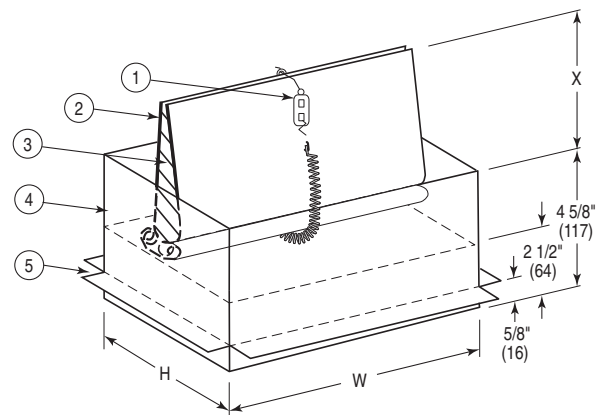
MODEL: 0757D DUCTED

STANDARD CONSTRUCTION:

1. UL Listed Fusible Link, 212°F (100°C) is standard.
2. Blades: 22 ga. (0.85) G60 roll-formed galvanized steel.
3. Blade Insulation: Non-asbestos UL Classified.
4. Damper Frame: 24 ga. (0.70) G60 galvanized steel.
5. Plaster flange 7/8" (22).

COMMON OPTIONS:

- 165°F (74°C) UL Listed fusible link.
- Damper Style: 0716 Butterfly (Two Blades) Damper standard, 0714 Single Blade Damper or 0720 Low Profile Curtain Damper.
- Installation Support Angles. 26" (660) long:
 - ISA 2 @ 3/4" x 3/4" x 16 ga. (19 x 19 x 1.6).
 - ISB 2 @ 1 1/2" x 1 1/2" x 22 ga. (38 x 38 x 0.85).

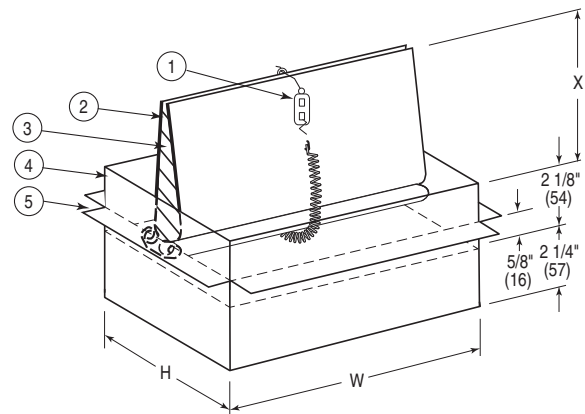


NOTE:

X = 1/2 THE LISTED HEIGHT - 1 7/8" (48)

Model 0757 Note:

0716 style damper shown. 0714 Single Blade, which places the damper out of the airstream, is also available.



NOTE:

X = 1/2 THE LISTED HEIGHT - 1 7/8" (48)

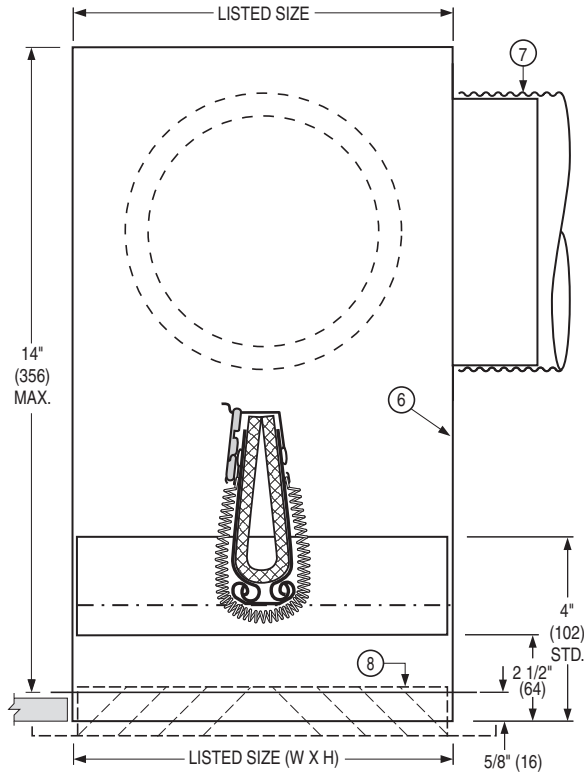
Model 0757D Note:

0716 Butterfly Type damper shown is standard. 0714 Single Blade or 0720 Low Profile Curtain Damper also available.

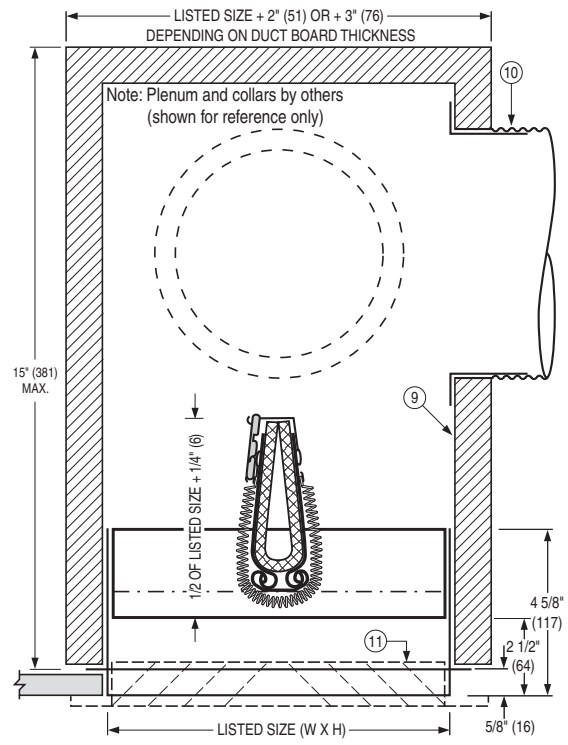
DIMENSIONAL DETAILS:

MODEL: 0757 GRILLE/DIFFUSER MOUNT

Steel Plenum (by OTHERS) (Type A shown)



Fiberglass Plenum (by OTHERS)



Plenum Construction	Plenum Type	Description/Installation	Min. Damper Size	Max. Damper Size	Max. No. of Collars
Steel	A	90° Side Inlet	6 x 4 (152 x 102)	16 x 12 (406 x 305)	5
	C	90° Side Inlet, Insulated	8 x 4 (203 x 102)	12 x 12 (305 x 305)	1
	D	90° Side Inlet, Tapered	8 x 4 (203 x 102)	14 x 8 (356 x 203)	1
	E	Tapered, Top Inlet	8 x 4 (203 x 102)	12 x 12 (305 x 305)	1

Plenum Construction	Plenum Type	Description/Installation	Min. Damper Size	Max. Damper Size	Max. No. of Collars
Fiberglass	A	90° Side Inlet	6 x 4 (152 x 102)	21 x 18 (533 x 457)	5

STEEL PLENUM

CONSTRUCTION DETAILS:

- Steel plenum/sub-frame:
Uninsulated: 26 ga. (0.55) min. galv. steel with round connection collar.
Insulated: 28 ga. (0.47) min. galv. steel
Insulation: Semi rigid Type R-6, 1 1/2" (28) or Type R-8, 2" (51) fiberglass duct liner, min. density 1.5 pcf.
- UL Classified Class 0 or I Flexible Air Duct connection by others.
- Steel grille/register/diffuser, 26 ga. (0.55) min., (by Nailor or others). Bottom of damper sub-frame is flush with ceiling. Standard depth for grille clearance is 2 1/2" (64).

FIBERGLASS PLENUM

CONSTRUCTION DETAILS:

- Fiberglass plenum/sub-frame:
Duct Board: 1" - 1 1/2" (25 - 38), rigid (R4 - R6)
- Cutting and Installation of collar for UL Classified Class 0 or I Flexible Air Duct connection by others.
- Steel grille/register/diffuser, 26 ga. (0.55) min., (by Nailor or others). Bottom of damper sub-frame is flush with ceiling. Standard depth for grille clearance is 2 1/2" (64).

NOTES:

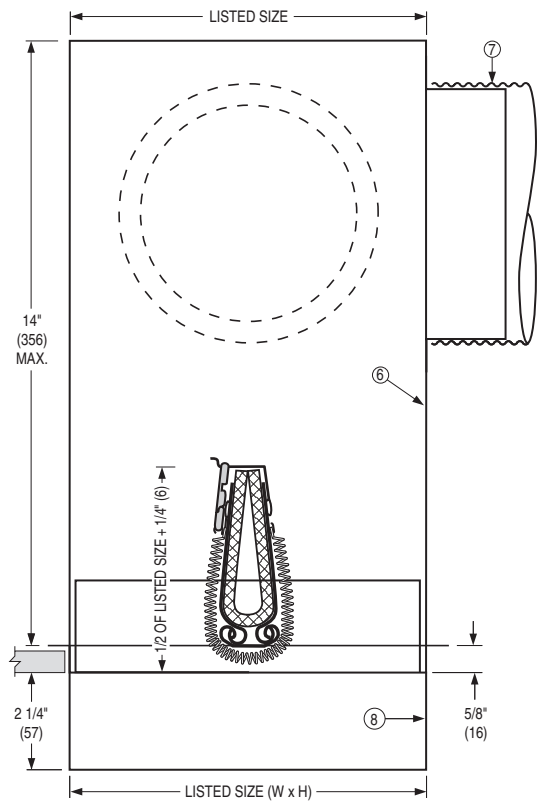
- See minimum/maximum damper size restriction by Plenum Construction/Plenum Type, above.
- Refer to document IOM-CRD0757INST for Supplementary Installation Instructions for Field Fabrication of Steel or Fiberglass Plenums (by others).

W x H = Nominal Grille/Register Size

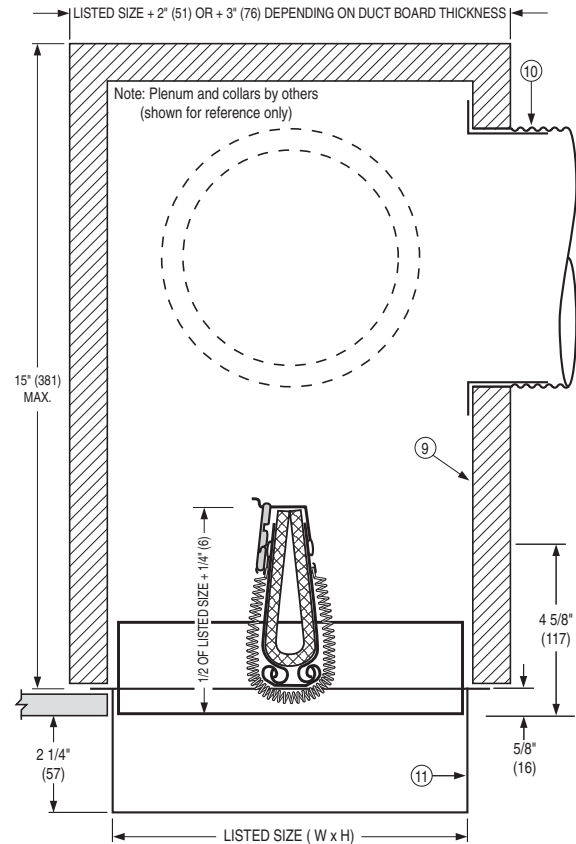
DIMENSIONAL DETAILS:

MODEL: 0757D DUCTED

Steel Plenum (by OTHERS) (Type A shown)



Fiberglass Plenum (by OTHERS)



Plenum Construction	Plenum Type	Description/Installation	Min. Damper Size	Max. Damper Size	Max. Number of Collars
Steel	B	Ducted, 90° Side Inlet	6 x 4 (152 x 102)	18 x 18 (457 x 457)	3

Plenum Construction	Plenum Type	Description/Installation	Min. Damper Size	Max. Damper Size	Max. Number of Collars
Fiberglass	B	Ducted, 90° Side Inlet	6 x 4 (152 x 102)	21 x 18 (533 x 457)	3

STEEL PLENUM

CONSTRUCTION DETAILS:

- Steel plenum/sub-frame:
Uninsulated: 26 ga. (0.55) min. galv. steel with round connection collar.
- UL Classified Class 0 or I Flexible Air Duct connection by others.
- Damper sleeve is extended below ceiling for ducted connection.

FIBERGLASS PLENUM

CONSTRUCTION DETAILS:

- Fiberglass plenum/sub-frame:
Duct Board: 1" - 1 1/2" (25 - 38), rigid (R4 - R6)
- Cutting and Installation of collar for UL Classified Class 0 or I Flexible Air Duct connection by others.
- Damper sleeve is extended below ceiling for ducted connection.

NOTES:

- See minimum/maximum damper size restriction by Plenum Construction/Plenum Type, above.
- Refer to document IOM-CRD0757INST for Supplementary Installation Instructions for Field Fabrication of Steel or Fiberglass Plenums (by others).

W x H = Nominal Grille/Register Size

- UL 263 CLASSIFIED
- INSULATED STEEL PLENUM BY OTHERS
- GRILLE/DIFFUSER MOUNT

Models:

0763 Grille/Diffuser Mount



Model 0763

Model 0763 Ceiling Radiation Dampers have been designed for use in a field supplied insulated steel plenum (by others) and tested for simple installation in specific wood truss ceiling assemblies. They are UL Classified for use in specific 1 hour rated UL floor/ceiling and roof/ceiling designs. The field supplied plenum (by others) is designed to accommodate a steel grille/diffuser for applications where the plenum terminates at the ceiling.

QUALIFICATIONS:

- **UL 263 CLASSIFIED CEILING RADIATION DAMPER. Category CABS. (File # R9660).**
- **1 hour rated for use in UL floor/ceiling design numbers L550/L574/L579/L585/M503 and roof/ceiling design numbers P531/P545/P547/P552. (Other proprietary UL design numbers may be similar. Local approval by AHJ is required to use a Nailor design when not specified).**
- **Meets NFPA 90A requirements.**

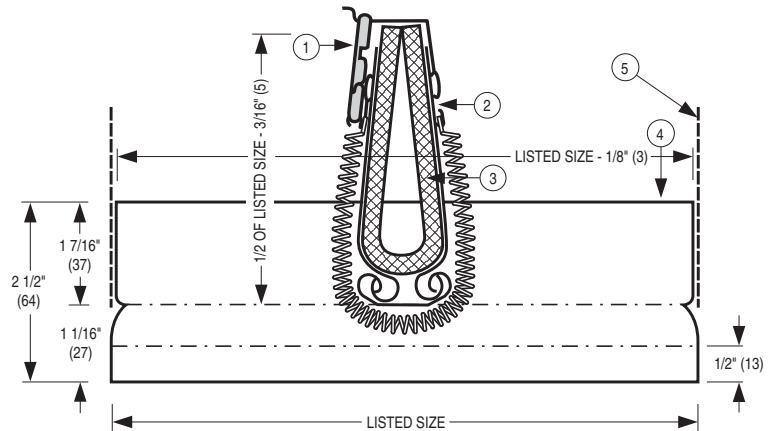
MODEL: 0763 GRILLE/DIFFUSER MOUNT

STANDARD CONSTRUCTION:

1. UL Listed Fusible Link, 212°F (100°C) is standard.
2. Blades: 22 ga. (0.85) G60 roll-formed galvanized steel.
3. Blade Insulation: Non-asbestos UL Classified.
4. Damper Frame: 22 ga. (0.85) G60 galvanized steel.
5. Plenum Collar (by others).

COMMON OPTIONS:

- 165 165°F (74°C) UL Listed fusible link.
- Factory Supplied Steel Plenum (by Nailor):
Type F 45° Inlet, Insulated.
Type G Top Inlet, Insulated.
- Installation Support Angles. 26" (660) long:
ISA 2 @ 3/4" x 3/4" x 16 ga. (19 x 19 x 1.6).
ISB 2 @ 1 1/2" x 1 1/2" x 22 ga. (38 x 38 x 0.85).



AVAILABLE SIZES:

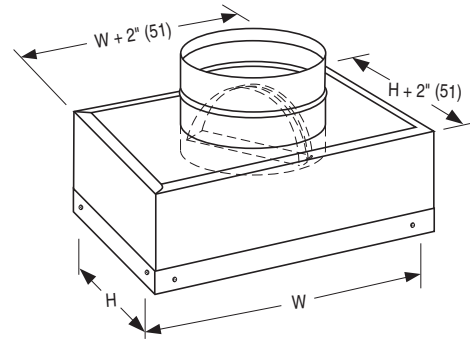
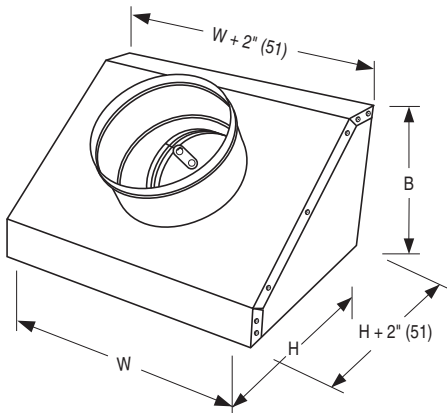
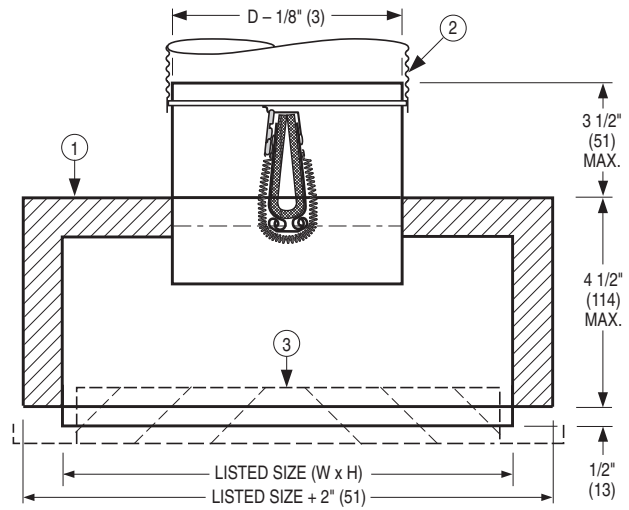
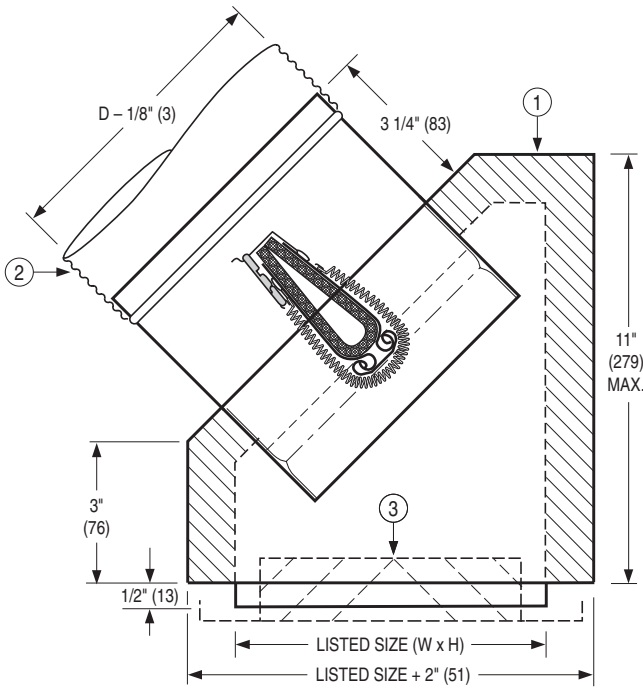
4", 5", 6", 7", 8" (102, 127, 152, 178, 203) diameter.

DIMENSIONAL DETAILS:

MODEL: 0763

45° Inlet, Insulated Type F Steel Plenum (by OTHERS)

Top Inlet, Insulated Type G Steel Plenum (by OTHERS)



Plenum Construction	Plenum Type	Description/Installation	Minimum Size	Min. Damper Size	Maximum Size	Maximum Damper Size	Max. Number of Collars
Steel, Insulated	F	45° Inlet	8 x 4 (203 x 102)	4 (102)	14 x 6 (356 x 152)	8 (152) Dia.	1
	G	Top Inlet	8 x 4 (203 x 102)	4 (102)	14 x 8 (356 x 203)	8 (152) Dia.	1

PLENUM CONSTRUCTION DETAILS:

Steel plenum/sub-frame:

- 28 ga. (0.47) minimum galvanized steel, Insulation: Semi rigid Type R-6, 1 1/2" (28) or Type R-8, 2" (51) fiberglass duct liner, minimum density 1.5 pcf.
- UL Classified Class 0 or I Flexible Air Duct connection by others.
- Steel grille/register/diffuser, 26 ga. (0.55) minimum). Bottom of damper sub-frame is flush with ceiling. Standard depth for grille clearance is 2" (51).

NOTES:

- See minimum/maximum damper size restriction by Plenum Construction/Plenum Type, above.
- Refer to document IOM-CRD0763INST for Supplementary Installation Instructions for Field Fabrication of Steel Plenums (by others).

HOW TO SPECIFY

MODELS: 0757 AND 0757D

WOOD TRUSS CEILING DAMPERS, GRILLE/DIFFUSER MOUNT OR DUCTED WITH STEEL OR FIBERGLASS PLENUM BY OTHERS

SUGGESTED SPECIFICATION:

Provide and install, as shown on plans and/or schedules, ceiling dampers as manufactured by Nailor Industries, Inc., qualified for use in specific wood truss ceiling assemblies with 1 hour fire rating which meet the following criteria: Ceiling Dampers shall be tested in accordance with UL 263 Standard for Fire Tests of Building Construction and Materials, and shall bear a UL label verifying the same. Ceiling Dampers tested and labelled in accordance with UL 555C Standard for Ceiling Dampers are not approved or acceptable.

Frame and blade shall be constructed of 22 ga. (0.85) galvanized steel. Blade insulation shall be non-asbestos, UL Classified. Each ceiling damper shall be held open with a **(specifier to select)** 212°F (100°C) **or** 165°F (74°C) UL Listed fusible link. Ceiling damper assembly shall be provided from the factory with a steel sub-frame of minimum 22 ga. (0.85) steel and of length to suit application. Each ceiling damper assembly shall be installed with a **(specifier to select)** UL 181 Class 1 Classified fiberglass plenum (by others) **or** steel plenum (by others). Round inlets, of size(s) shown on plans, shall be cut by contractor and collars (by others) installed by contractor. Ceiling dampers shall ship with and be installed in accordance with manufacturer's UL approved installation instructions. Information submitted for approval shall include same UL installation instructions.

(Specifier to select) For applications where ductwork terminates at the ceiling, standard of acceptance shall be Nailor Industries Model 0757.

(Specifier to select) For applications where ductwork is required to continue down past ceiling, standard of acceptance shall be Nailor Industries Model 0757D.

MODEL: 0763

WOOD TRUSS CEILING DAMPER, ROUND, GRILLE/DIFFUSER MOUNT WITH INSULATED STEEL PLENUM BY OTHERS

SUGGESTED SPECIFICATION:

Provide and install, as shown on plans and/or schedules, ceiling dampers as manufactured by Nailor Industries, Inc., qualified for use in specific wood truss ceiling assemblies with 1 hour fire rating which meet the following criteria: Ceiling Dampers shall be tested in accordance with UL 263 Standard for Fire Tests of Building Construction and Materials, and shall bear a UL label verifying the same. Ceiling Dampers tested and labelled in accordance with UL 555C Standard for Ceiling Dampers are not approved or acceptable.

Frame and blade shall be constructed of 22 ga. (0.85) galvanized steel. Blade insulation shall be non-asbestos, UL Classified. Each ceiling damper shall be held open with a **(specifier to select)** 212°F (100°C) **or** 165°F (74°C) UL Listed fusible link. Each ceiling damper assembly shall be installed with an insulated steel register box (by others). Round inlets, of size(s) shown on plans, shall be cut by contractor and collars (by others) installed by contractor. Ceiling dampers shall ship with and be installed in accordance with manufacturer's UL approved installation instructions. Information submitted for approval shall include same UL installation instructions. Standard of acceptance shall be Nailor Industries Model 0763.

HOW TO ORDER

MODELS: 0756 & 0756D (STEEL PLENUM BY NAILOR) WOOD TRUSS CEILING RADIATION DAMPERS • UL 263

EXAMPLE: 0756 - 12" x 6" - 06 - 212

- | <p>1. Models
0756 90°, Side Inlet, Steel Plenum, Grille Mount
0756D 90°, Side Outlet(s), Steel Plenum, Ducted</p> <p>2. Ceiling Opening Size
Width x Height (inches [mm's])</p> <p>3a. Round Connection Collar
04 4" (102) Round
05 5" (127) Round
06 6" (152) Round
07 7" (178) Round
08 8" (203) Round
09 9" (229) Round
10 10" (254) Round</p> | <p>3b. Number of Collars
(Model 0756D only)
1 1 Collar
2 2 Collars
3 3 Collars</p> <p>4. Fusible Link Temperature
212 212°F (100°C) (default)
165 165°F (74°C)</p> <p>5. Support Angles
ISA 2 @ 26" x 3/4" x 3/4" x 16 ga. (660 x 19 x 19 x 1.6)
ISB 2 @ 26" x 1 1/2" x 1 1/2" x 22 ga. (660 x 38 x 38 x 0.85)</p> | <p>6. Damper Styles
0716 Butterfly Type (default)
0714 Single Blade
0720 Low Profile Curtain (0756D only)</p> <p>Available Sizes:</p> <table border="1"> <thead> <tr> <th>Model</th> <th>Minimum</th> <th>Maximum</th> </tr> </thead> <tbody> <tr> <td>0756</td> <td>6" x 4" (152 x 102)</td> <td>16" x 12" (406)</td> </tr> <tr> <td>0756D</td> <td>6" x 4" (152 x 102)</td> <td>18" x 18" (457 x 457)</td> </tr> </tbody> </table> <p>NOTE
1. Not all variants and options are available on all models. Refer to individual model for selection availability.</p> | Model | Minimum | Maximum | 0756 | 6" x 4" (152 x 102) | 16" x 12" (406) | 0756D | 6" x 4" (152 x 102) | 18" x 18" (457 x 457) |
|--|---|--|-------|---------|---------|------|---------------------|-----------------|-------|---------------------|-----------------------|
| Model | Minimum | Maximum | | | | | | | | | |
| 0756 | 6" x 4" (152 x 102) | 16" x 12" (406) | | | | | | | | | |
| 0756D | 6" x 4" (152 x 102) | 18" x 18" (457 x 457) | | | | | | | | | |

MODELS: 0757, 0757D & 0763 (STEEL OR FIBERGLASS PLENUM BY OTHERS) WOOD TRUSS CEILING RADIATION DAMPERS • UL 263

EXAMPLE: 0757 - 12" x 6" - STL - D - 212

- | <p>1. Models
0757 Grille Mount, (Steel or Fiberglass Plenum by others)
0757D Ducted, (Steel or Fiberglass Plenum by others)
0763 Round, Grille Mount, (Steel Plenum by others)</p> <p>2. Ceiling Opening Size
Width x Height or Diameter (Model 0763) (inches [mm's])</p> <p>3a. Plenum Construction
(Models 0757, 0757D only)
FBG Fiberglass (by others)
STL Steel (by others)</p> | <p>3b. Plenum Type
Model 0757:
A 90° Side Inlet (by others)
C 90° Side Inlet Insulated (by others)
D 90° Side Inlet Tapered (by others)
E Tapered Top Inlet (by others)
Model 0757D:
B 90° Side Outlet(s) (by others)
Model 0763:
F 45° Inlet Insulated (by others) (8 x 4 to 14 x 6 Grille [203 x 102 to 356 x 152 Grille])
G Top Inlet Insulated (by others) (8 x 4 to 14 x 8 Grille [203 x 102 to 356 x 203 Grille])</p> <p>4. Fusible Link Temperature
212 212°F (100°C) (default)
165 165°F (74°C)</p> | <p>5. Support Angles (N/A Model 0763)
ISA 2 @ 26" x 3/4" x 3/4" x 16 ga. (660 x 19 x 19 x 1.6)
ISB 2 @ 26" x 1 1/2" x 1 1/2" x 22 ga. (660 x 38 x 38 x 0.85)</p> <p>6. Damper Styles (N/A Model 0763)
0716 Butterfly Type (default)
0714 Single Blade (N/A 0757 Plenum D)
0720 Low Profile Curtain (0757D only)</p> <p>Available Sizes:</p> <table border="1"> <thead> <tr> <th>Model</th> <th>Minimum</th> <th>Maximum</th> </tr> </thead> <tbody> <tr> <td>0763</td> <td>4" (102) Dia.</td> <td>8" (711) Dia.</td> </tr> </tbody> </table> <p>NOTE
1. Not all variants and options are available on all models. Refer to individual model for selection availability.</p> | Model | Minimum | Maximum | 0763 | 4" (102) Dia. | 8" (711) Dia. |
|--|---|---|-------|---------|---------|------|---------------|---------------|
| Model | Minimum | Maximum | | | | | | |
| 0763 | 4" (102) Dia. | 8" (711) Dia. | | | | | | |

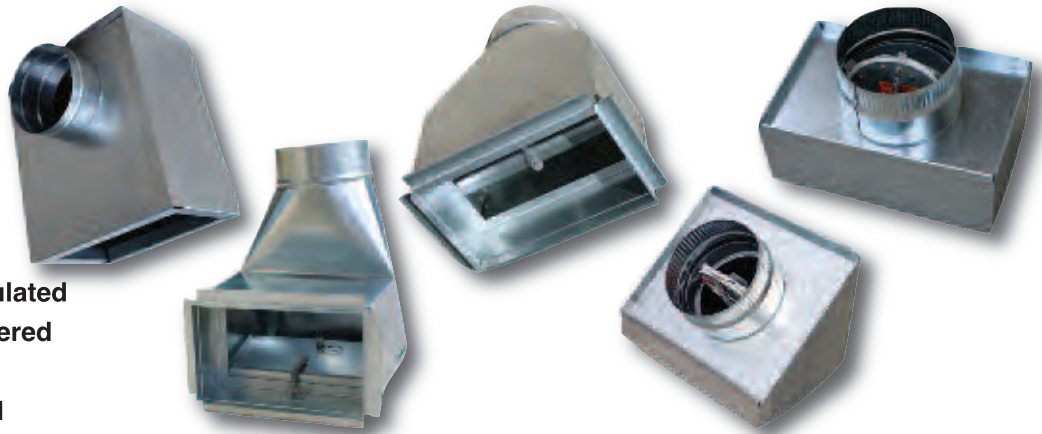
Available Sizes:

Model	Plenum Construction	Plenum Type	Description	Ceiling Opening/Damper	
				Minimum	Maximum
0757	Steel	A	90° Side Inlet	6" x 4" (152 x 102)	16" x 12" (406 x 305)
		C	90° Side Inlet Insulated	8" x 4" (203 x 102)	12" x 12" (305 x 305)
		D	90° Side Inlet Tapered	8" x 4" (203 x 102)	14" x 8" (356 x 203)
		E	Top Inlet Tapered	8" x 4" (203 x 102)	12" x 12" (305 x 305)
0757D	Steel	B	90° Side Inlet	6" x 4" (152 x 102)	18" x 18" (457 x 457)
	Fiberglass	B	90° Side Inlet	6" x 4" (152 x 102)	21" x 18" (533 x 457)

CEILING DAMPERS

H

- UL 263 CLASSIFIED
- FACTORY PLENUM/ REGISTER BOX
- GRILLE/DIFFUSER MOUNT



Models:

- 0757-CB 90° Side Inlet, Insulated
- 0757-DB 90° Side Inlet, Tapered
- 0757-EB Top Inlet, Tapered
- 0763-FB 45° Inlet, Insulated
- 0763-GB Top Inlet, Insulated

Models 0757-CB, 0757-DB, 0757-EB, 0763-FB and 0763-GB with Factory Plenums (L to R)

Ceiling dampers are designed to function as a heat barrier in air handling openings penetrating fire resistance membrane ceilings. Model 0757, 0763 with factory plenum/register boxes with integral ceiling dampers have been specially designed and tested to provide protection and simple installation in specific UL design wood truss ceiling assemblies. The 0757 design features a dual blade damper design. A single blade damper option is out of the airstream to reduce pressure drop and noise generation, therefore maximizing performance. The 0763 design features a rectangular or round two blade damper. All models are designed to accommodate standard size common residential registers.

QUALIFICATIONS:

- UL 263 CLASSIFIED CEILING RADIATION DAMPER. Category CABS. (File # R9660).
- 1 hour rated for use in UL floor/ceiling design numbers L550/L562/L574/L579/L585/M501/M503 and roof/ceiling design numbers P531/P538/P545/P547/P552. (Other proprietary UL design numbers may be similar. Local approval by AHJ is required to use a Nailor design when not specified).
- Meets NFPA 90A requirements.

Model 0757-CB Dimensional Data (W x H):

Available Sizes	
W x H	Nominal Duct Size D
8" x 4" (203 x 102)	4", 5" (102, 127) dia.
10" x 4" (254 x 102)	4", 5", 6" (102, 127, 152) dia.
12" x 4" (305 x 102)	6", 7", 8" (152, 178, 203) dia.
8" x 6" (203 x 152)	6" (152) dia.
10" x 6" (254 x 152)	5", 6", 7" (127, 152, 178) dia.
12" x 6" (305 x 152)	6", 7", 8", 9" (152, 178, 203, 229) dia.
8" x 8" (203 x 203)	5", 6" (127, 152) dia.
10" x 8" (254 x 203)	7", 8" (178, 203) dia.
12" x 8" (305 x 203)	7", 8" (178, 203) dia.
10" x 10" (254 x 254)	7", 8" (178, 203) dia.
12" x 12" (305 x 305)	8" (203) dia.
	9", 10" (229, 254) dia.

W x H = Nominal Grille/Register Size

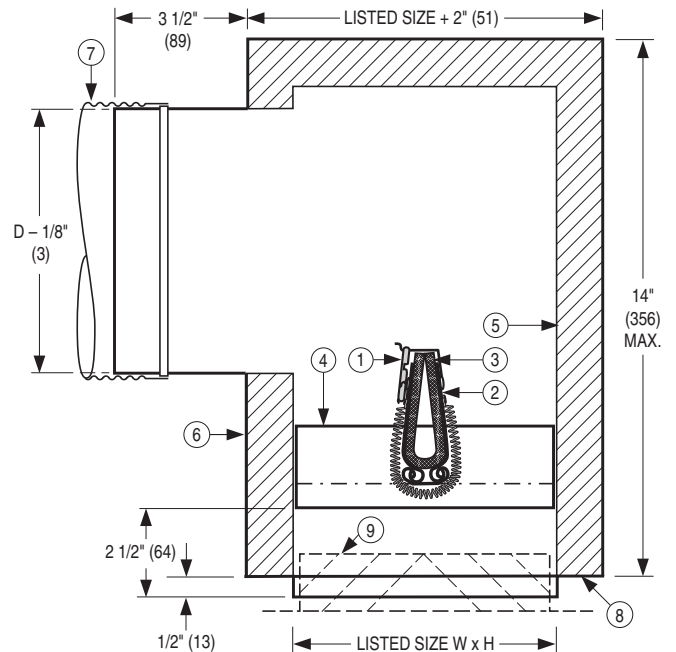
MODEL: 0757-CB SIDE INLET, INSULATED PLENUM

STANDARD CONSTRUCTION:

- Fusible Link:** UL Listed, 212°F (100°C), standard.
- Blades:** 22 ga. (0.85) roll-formed galv. steel.
- Blade Insulation:** Non-asbestos UL Classified.
- Damper Frame:** 22 ga. (0.85) galvanized steel.
- Internal Insulation:** 1 1/2" (38) R-6.3 value.
- Plenum:** Steel plenum: 28 ga. (0.47) min. with round connection collar.
- Duct:** UL Classified Class 0 or 1 flexible air duct connection by others.
- Flange:** Plaster flange.
- Steel Grille/ Register:** By Nailor or others. Standard depth for grille clearance is 2 1/2" (64).

COMMON OPTIONS:

- R8 2" (51) thick R-8 value insulation.
- 165°F (74°C) UL Listed fusible link.
- Damper Style: 0716 Butterfly (Two Blades) Damper standard or 0714 Single Blade Damper.
- Installation Support Angles. 26" (660) long:
 - ISA 2 @ 3/4" x 3/4" x 16 ga. (19 x 19 x 1.6).
 - ISB 2 @ 1 1/2" x 1 1/2" x 22 ga. (38 x 38 x 0.85).



CEILING DAMPERS

I

MODEL: 0757-DB 90° SIDE INLET, TAPERED PLENUM

STANDARD CONSTRUCTION:

1. **Fusible Link:** UL Listed, 212°F (100°C), standard.
2. **Blades:** 22 ga. (0.85) roll-formed galv. steel.
3. **Blade Insulation:** Non-asbestos UL Classified.
4. **Damper Frame:** 22 ga. (0.85) galvanized steel.
5. **Plenum:** Steel plenum: 26 ga. (0.55) min. with round connection collar.
6. **Duct:** UL Classified Class 0 or 1 flexible air duct connection by others.
7. **Flange:** Plaster flange.
8. **Steel Grille/ Register:** By Nailor or others. Standard depth for grille clearance is 2 1/2" (64).

COMMON OPTIONS:

- 165°F (74°C) UL Listed fusible link.
- Damper Style: 0716 Butterfly (Two Blades) Damper standard or 0714 Single Blade Damper.
- Installation Support Angles. 26" (660) long:
ISA 2 @ 3/4" x 3/4" x 16 ga. (19 x 19 x 1.6).
ISB 2 @ 1 1/2" x 1 1/2" x 22 ga. (38 x 38 x 0.85).

Model 0757-DB Sizes/Dimensional Data (W x H):

Available Sizes	
W x H	Nominal Duct Size D
8" x 4" (203 x 102)	4", 5" (102, 127) dia.
10" x 4" (254 x 102)	4", 5", 6" (102, 127, 152) dia.
12" x 4" (305 x 102)	6", 7", 8" (152, 178, 203) dia.
14" x 4" (356 x 102)	7" (178) dia.
6" x 6" (152 x 152)	4", 5" (102, 127) dia.
8" x 6" (203 x 152)	6" (152) dia.
10" x 6" (254 x 152)	5", 6", 7" (127, 152, 178) dia.
12" x 6" (305 x 152)	6", 7", 8", 9" (152, 178, 203, 229) dia.
14" x 6" (356 x 152)	6", 7", 8", 9", 10" (152, 178, 203, 229, 254) dia.
8" x 8" (203 x 203)	5", 6" (127, 152) dia.
10" x 8" (254 x 203)	7", 8" (178, 203) dia.
12" x 8" (305 x 203)	7", 8" (178, 203) dia.
14" x 8" (356 x 203)	6", 7", 8", 9", 10" (152, 178, 203, 229, 254) dia.

W x H = Nominal Grille/Register Size

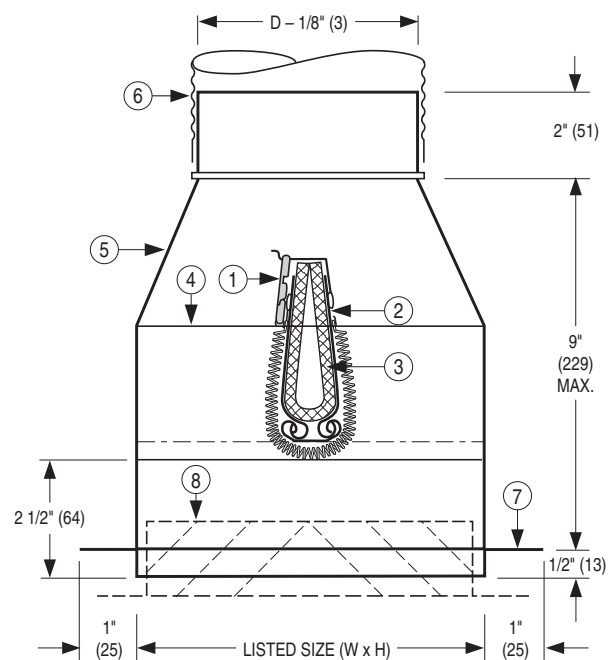
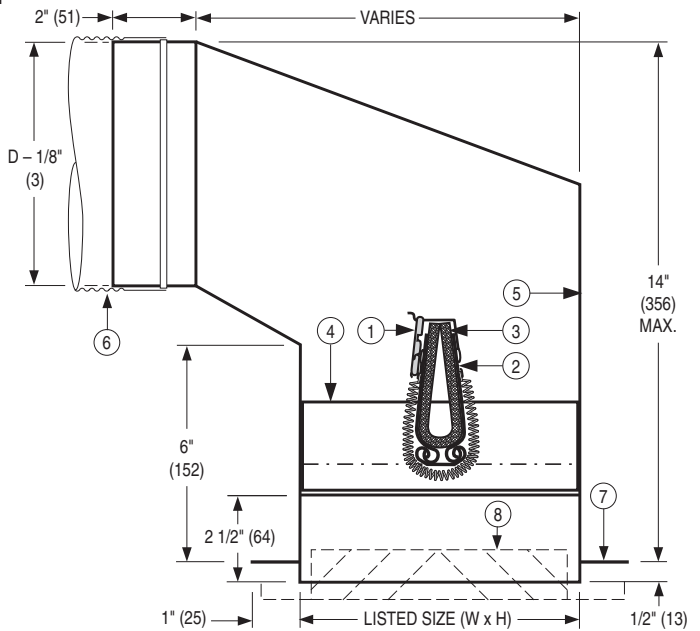
MODEL: 0757-EB TAPERED TOP INLET, PLENUM

STANDARD CONSTRUCTION:

1. **Fusible Link:** UL Listed, 212°F (100°C), standard.
2. **Blades:** 22 ga. (0.85) roll-formed galv. steel.
3. **Blade Insulation:** Non-asbestos UL Classified.
4. **Damper Frame:** 22 ga. (0.85) galvanized steel.
5. **Plenum:** Steel. 26 ga. (0.55) min. with round connection collar.
6. **Duct:** UL Classified Class 0 or 1 flexible air duct connection by others.
7. **Flange:** Plaster flange.
8. **Steel Grille/ Register:** By Nailor or others. Std. depth for grille clearance is 2 1/2" (64).

COMMON OPTIONS:

- 165°F (74°C) UL Listed fusible link.
- Installation Support Angles. 26" (660) long:
ISA 2 @ 3/4" x 3/4" x 16 ga. (19 x 19 x 1.6).
ISB 2 @ 1 1/2" x 1 1/2" x 22 ga. (38 x 38 x 0.85).



Model 0757-EB Dimensional Data (W x H):

Available Sizes	
W x H	Nominal Duct Size D
8" x 4" (203 x 102)	4", 5" (102, 127) dia.
10" x 4" (254 x 102)	4", 5", 6" (102, 127, 152) dia.
12" x 4" (305 x 102)	6", 7", 8" (152, 178, 203) dia.
8" x 6" (203 x 152)	6" (152) dia.
10" x 6" (254 x 152)	5", 6", 7" (127, 152, 178) dia.
12" x 6" (305 x 152)	6", 7", 8", 9" (152, 178, 203, 229) dia.
8" x 8" (203 x 203)	5", 6" (127, 152) dia.
10" x 8" (254 x 203)	7", 8" (178, 203) dia.
12" x 8" (305 x 203)	7", 8" (178, 203) dia.
9" x 9" (229 x 229)	8" (203) dia.
12" x 12" (305 x 305)	8", 9", 10" (203, 229, 254) dia.

W x H = Nominal Grille/Register Size

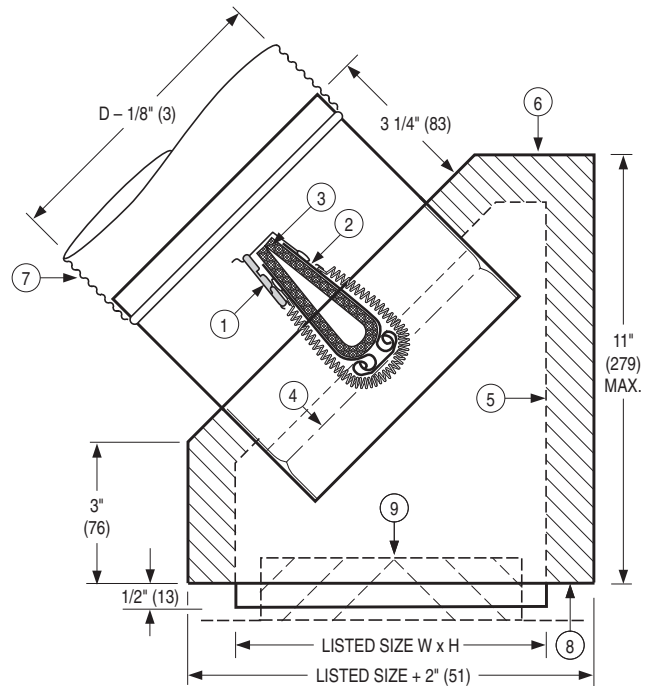
MODEL: 0763-FB 45° INLET, INSULATED PLENUM

STANDARD CONSTRUCTION:

1. **Fusible Link:** UL Listed, 212°F (100°C), standard.
2. **Blades:** 22 ga. (0.85) roll-formed galv. steel.
3. **Blade Insulation:** Non-asbestos UL Classified.
4. **Damper Frame:** 22 ga. (0.85) galvanized steel.
5. **Internal Insulation:** 1 1/2" (38) R-6.3 value.
6. **Plenum:** Steel plenum: 28 ga. (0.47) min. with round connection collar.
7. **Duct:** UL Classified Class 0 or 1 flexible air duct connection by others.
8. **Flange:** Plaster flange.
9. **Steel Grille/ Register:** By Nailor or others. Standard depth for grille clearance is 2" (51).

COMMON OPTIONS:

- R8 2" (51) thick R-8 value insulation.
- 165°F (74°C) UL Listed fusible link.
- Installation Support Angles. 26" (660) long:
ISA 2 @ 3/4" x 3/4" x 16 ga. (19 x 19 x 1.6).
ISB 2 @ 1 1/2" x 1 1/2" x 22 ga. (38 x 38 x 0.85).



Model 0763-FB Dimensional Data (W x H):

Available Sizes	
W x H	Nominal Duct Size D
8" x 4" (203 x 102)	4", 5" (102, 127) dia.
10" x 4" (254 x 102)	4", 5", 6" (102, 127, 152) dia.
12" x 4" (305 x 102)	6" (152) dia.
	7" (178) dia.
	8" (203) dia.
14" x 4" (356 x 102)	7" (178) dia.
8" x 6" (203 x 152)	6" (152) dia.
10" x 6" (254 x 152)	5", 6", 7" (127, 152, 178) dia.
12" x 6" (305 x 152)	6", 7" (152, 178) dia.
14" x 6" (356 x 152)	6", 7", 8" (152, 178, 203) dia.

W x H = Nominal Grille/Register Size

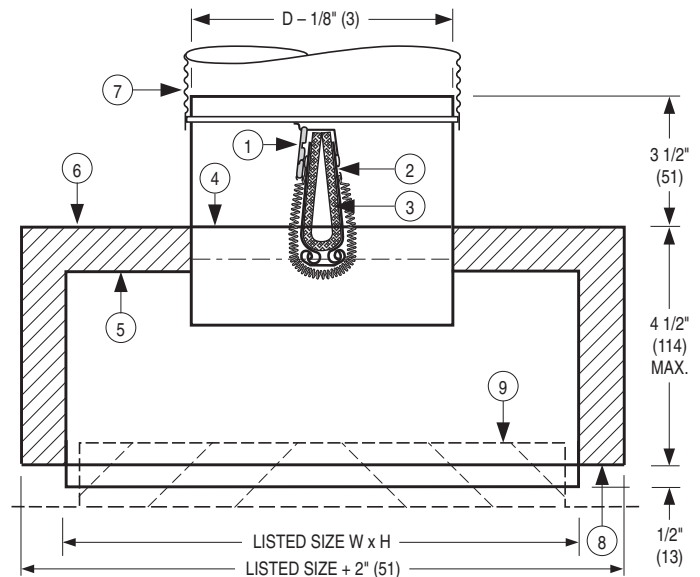
MODEL: 0763-GB TOP INLET, INSULATED PLENUM

STANDARD CONSTRUCTION:

1. **Fusible Link:** UL Listed, 212°F (100°C), standard.
2. **Blades:** 22 ga. (0.85) roll-formed galv. steel.
3. **Blade Insulation:** Non-asbestos UL Classified.
4. **Damper Frame:** 22 ga. (0.85) galvanized steel.
5. **Internal Insulation:** 1 1/2" (38) R-6.3 value..
6. **Plenum:** Steel. 28 ga. (0.47) min. with round connection collar.
7. **Duct:** UL Classified Class 0 or 1 flexible air duct connection by others.
8. **Flange:** Plaster flange.
9. **Steel Grille/Reg.:** By Nailor or others. Min. depth for grille clearance is 2" (51).

COMMON OPTIONS:

- R8 2" (51) thick R-8 value insulation.
- 165°F (74°C) UL Listed fusible link.
- Installation Support Angles. 26" (660) long:
ISA 2 @ 3/4" x 3/4" x 16 ga. (19 x 19 x 1.6).
ISB 2 @ 1 1/2" x 1 1/2" x 22 ga. (38 x 38 x 0.85).



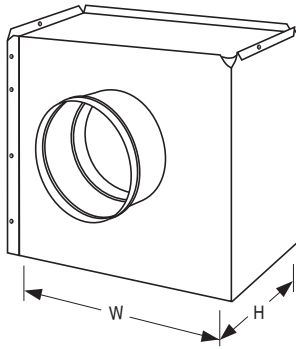
Model 0763-GB Dimensional Data (W x H):

Available Sizes	
W x H	Nominal Duct Size D
8" x 4" (203 x 102)	4", 5" (102, 127) dia.
10" x 4" (254 x 102)	4", 5", 6" (102, 127, 152) dia.
12" x 4" (305 x 102)	6", 7", 8" (152, 178, 203) dia.
8" x 6" (203 x 152)	6" (152) dia.
10" x 6" (254 x 152)	5", 6", 7" (127, 152, 178) dia.
12" x 6" (305 x 152)	6", 7", 8" (152, 178, 203) dia.
14" x 6" (356 x 152)	6", 7", 8" (152, 178, 203) dia.
8" x 8" (203 x 203)	5", 6" (127, 152) dia.
10" x 8" (254 x 203)	7", 8" (178, 203) dia.
12" x 8" (305 x 203)	7", 8" (178, 203) dia.
14" x 8" (356 x 203)	6", 7", 8" (152, 178, 203) dia.

W x H = Nominal Grille/Register Size

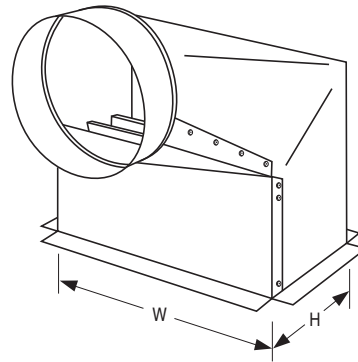
ISOMETRIC DETAILS: NAILOR PLENUM TYPES (FACTORY MOUNTED)

MODELS: 0757 (-CB, -DB, -EB) AND 0763 (-FB, -GB)



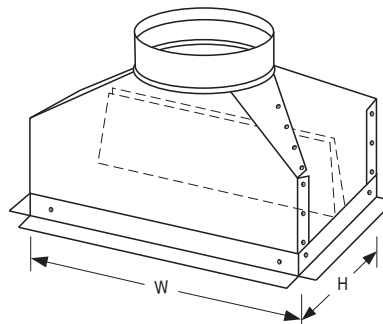
Model 0757-CB

90° Side Inlet. Insulated Register Box
Rectangular ceiling damper.
Min. size: 8" x 4" (203 x 102), 4" (102) dia. inlet
Max. size: 12" x 12" (305 x 305), 10" (305) dia. inlet



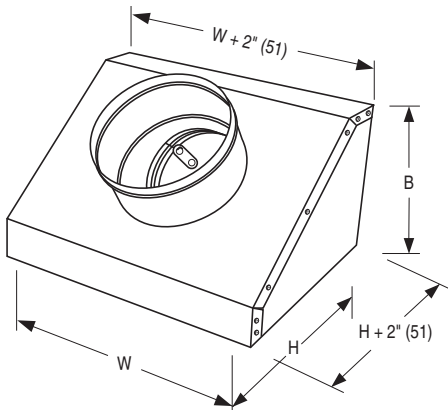
Model 0757-DB

Register Box. Tapered Side Inlet
Rectangular ceiling damper
Min. size: 8" x 4" (203 x 102), 4" (102) inlet
Max. size: 14" x 8" (356 x 203), 10" (254) Inlet



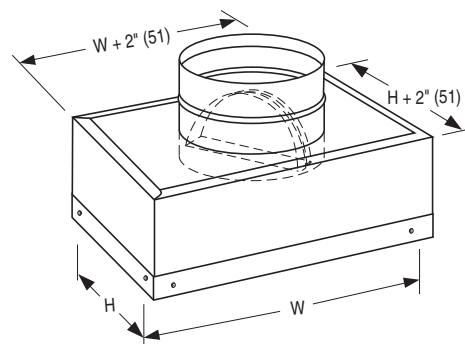
Model 0757-EB

Tapered Top Inlet. Register Box
Rectangular ceiling damper.
Min. Size: 8" x 4" (203 x 102), 4" (102) dia. inlet
Max. size: 12" x 12" (305 x 305), 10" (305) dia. inlet



Model 0763-FB

45° Side Inlet. Insulated Register Box
Round ceiling damper in inlet collar.
Min. size: 8" x 4" (203 x 102), 4" (102) dia. inlet
Max. size: 14" x 6" (356 x 152), 8" (229) dia. inlet



Model 0763-GB

Top Inlet. Insulated Register Box
Round ceiling damper in inlet collar.
Min. size: 8" x 4" (203 x 102), 4" (102) dia. inlet
Max. size: 14" x 8" (356 x 203), 8" (203) dia. inlet

HOW TO SPECIFY

MODELS: 0757 (-CB, -DB, -EB) AND 0763 (-FB, -GB)

WOOD TRUSS CEILING DAMPER REGISTER BOXES

SUGGESTED SPECIFICATION:

Provide and install, as shown on plans and/or schedules, ceiling fire dampers as manufactured by Nailor Industries, Inc., qualified for use in specific wood truss ceiling assemblies with 1 hour fire rating which meet the following criteria: Ceiling Dampers shall be tested in accordance with UL 263 Standard for Fire Tests of Building Construction and Materials, and shall bear a UL label verifying the same. Ceiling Dampers tested and labelled in accordance with UL 555C Standard for Ceiling Dampers are not approved or acceptable.

Frame and blade shall be constructed of 22 ga. (0.85) galvanized steel. Blade insulation shall be non-asbestos, UL Classified. Each ceiling damper shall be held open with a **(specifier to select)** 212°F (100°C) **or** 165°F (74°C) UL Listed fusible link. Ceiling damper assembly shall be provided from the factory with a steel register box with round connection collar of size indicated on drawings.

Ceiling Damper Model/Register Box type shall be **(specifier to select)**:

0757-CB 90 degree side inlet, insulated plenum boot.

0757-DB 90 degree side inlet, tapered plenum boot.

0757-EB Top inlet, tapered plenum boot.

0763-FB 45 degree inlet, insulated plenum boot.

0763-GB Top inlet, insulated plenum boot.

Ceiling dampers shall ship with and be installed in accordance with manufacturer's UL approved installation instructions. Information submitted for approval shall include same UL installation instructions.

Standard of acceptance shall be Nailor Industries Model 0757 and/or 0763 with factory supplied and mounted plenum/boot.

HOW TO ORDER

MODELS: 0757-CB, 0757-DB, 0757-EB, 0763-FB & 0763-GB

WOOD TRUSS CEILING RADIATION DAMPERS REGISTER BOXES

EXAMPLE: 0757-CB - 14" x 6" - 06 - 212 - ISA

1. Models

- 0757-CB Register Box, 90° Side Inlet, Insulated
- 0757-DB Register Box, Tapered 90° Side Inlet
- 0757-EB Register Box, Tapered Top Inlet
- 0763-FB Register Box, 45° Side Inlet, Insulated
- 0763-GB Register Box, Top Inlet, Insulated

2. Register Size

- Width x Height (inches [mm's])
- 0606 6" x 6" (152 x 152)
 - 0804 8" x 4" (203 x 102)
 - 0806 8" x 6" (203 x 152)
 - 0808 8" x 8" (203 x 203)
 - 0909 9" x 9" (229 x 229)
 - 1004 10" x 4" (254 x 102)
 - 1006 10" x 6" (254 x 152)
 - 1008 10" x 8" (254 x 203)
 - 1010 10" x 10" (254 x 254)
 - 1204 12" x 4" (305 x 102)
 - 1206 12" x 6" (305 x 152)
 - 1208 12" x 8" (305 x 203)
 - 1212 12" x 12" (305 x 305)
 - 1404 14" x 4" (356 x 102)
 - 1406 14" x 6" (356 x 152)
 - 1408 14" x 8" (356 x 203)

3. Inlet Size

- Diameter (inches [mm's])
- 04 4" (102) Round
 - 05 5" (127) Round
 - 06 6" (152) Round
 - 07 7" (178) Round
 - 08 8" (203) Round
 - 09 9" (229) Round
 - 10 10" (254) Round

4. Fusible Link Temperature

- 212 212°F (100°C) (default)
- 165 165°F (74°C)

5. Insulation

- (Type -CB, -FB, -GB only)
- R6 R-6 Value, 1 1/2" (38) (default)
 - R8 R-8 Value, 2" (51)

6. Installation Accessory

- ISA Support Angles
 2 @ 26" x 3/4" x 3/4" x 16 ga.
 (660 x 19 x 19 x 1.6)
- ISB Support Angles
 2 @ 26" x 1 1/2" x 1 1/2" x 22 ga.
 (660 x 38 x 38 x 0.85)

7. Damper Styles

- 0716 Butterfly Type (default)
- 0714 Single Blade (Models 0757-CB and 0757-DB only)

NOTES

1. Refer to table or submittal for available sizes.
2. Not all variants and options are available on all models. Refer to individual model for selection availability.

Available Sizes:

Nominal Register Size W x H	Round Inlet (Duct) Size	Model				
		0757-CB	0757-DB	0757-EB	0763-FB	0763-GB
8" x 4" (203 x 102)	4", 5" (102, 127)	√	√	√	√	√
10" x 4" (254 x 102)	4", 5", 6" (102, 127, 152)	√	√	√	√	√
12" x 4" (305 x 102)	6", 7", 8" (152, 178, 203)	√	√	√	√	√
14" x 4" (356 x 102)	7" (178)	—	√	—	√	—
6" x 6" (152 x 152)	4", 5" (102, 127)	—	√	—	—	—
8" x 6" (203 x 152)	6" (152)	√	√	√	√	√
10" x 6" (254 x 152)	5", 6", 7" (127, 152, 178)	√	√	√	√	√
12" x 6" (305 x 152)	6", 7" (152, 178)	√	√	√	√	√
	8" (203)	√	√	√	—	√
	9" (229)	√	√	√	—	—
14" x 6" (356 x 152)	6", 7", 8" (152, 178, 203)	—	√	—	√	√
	9", 10" (229, 254)	—	√	—	—	√
8" x 8" (203 x 203)	5", 6" (127, 152)	√	√	√	—	√
10" x 8" (254 x 203)	7", 8" (178, 203)	√	√	√	—	√
12" x 8" (305 x 203)	7", 8" (178, 203)	√	√	√	—	√
14" x 8" (356 x 203)	6", 7", 8" (152, 178, 203)	—	√	—	—	√
	9", 10" (229, 254)	—	√	—	—	—
9" x 9" (229 x 229)	8" (203)	—	—	√	—	—
10" x 10" (254 x 254)	7", 8" (178, 203)	√	—	—	—	—
12" x 12" (305 x 305)	8", 9", 10" (203, 229, 254)	√	—	√	—	—

CEILING DAMPERS

