

## MODEL SERIES 1270 (1 1/2 HR.)

### VEE GROOVE BLADE

Model Series 1270 combination fire/smoke dampers, with sturdy vee-groove style blades and a rugged mitered corner hat channel frame design that virtually eliminates racking, provides 1 1/2 hour UL labeled fire protection suitable for use where ductwork penetrates a wall or floor with a fire resistance rating of 2 hours or less. The 1270 Series is UL tested and labeled for use as a Class I or II Leakage Rated Damper for smoke control applications in both static or dynamic HVAC system designs. Available with factory fitted sleeve (Model 1271), and a variety of actuators and options to suit each application, the 1270 series is a versatile and economical performer suitable for most commercial applications.



Model 1270



Model 1271G

## MODEL 1271G (1 1/2 HR.)

### VEE GROOVE BLADE • GRILLE MOUNT

Model 1271G is a combination fire/smoke damper specifically designed for supply or return ducts that terminate at a grille. The sleeve with unique 3/4" (19) grille mounting tabs simplifies installation, saves on field labor and eliminates the requirements for unsightly front retaining angles which commonly protrude from behind the grille. A steel grille installs over and completely hides the mounting tabs. The damper is offset in the sleeve to accommodate a single or double deflection supply air grille, single deflection supply air register or a return air grille or register.

## MODEL SERIES 1220M (1 1/2 HR.) AND 1220M-3 (3 HR.)

### AIRFOIL BLADE • MODULATING

Model Series 1220M and 1220M-3 "3-in-1" Modulating Fire/Smoke Dampers have been engineered to provide premium containment in fire and smoke conditions with the addition of volume control via a modulating electric or pneumatic actuator that eliminates the need and cost of a separate control damper. Classified for use as a volume control damper in applications where building codes require both a fire damper for the protection of ductwork penetrations in walls or floors and a leakage rated damper for operational smoke control in static or dynamic smoke management systems.



Model 1221M

- GRILLE MOUNTING/DAMPER RETAINING TABS
- STANDARD PERFORMANCE
- CLASS I OR II LEAKAGE @ 250°F OR 350°F
- UL 555 CLASSIFIED DYNAMIC FIRE DAMPER
- UL 555S CLASSIFIED SMOKE DAMPER



Model 1271G

**Model:**

**1271G 1 1/2 Hour Label**

Model 1271G combination fire/smoke damper is specifically designed for supply or return ducts that terminate at a grille. The factory sleeve with unique 3/4" (19) grille mounting tabs simplifies installation, saves on field labor and eliminates the requirements for unsightly front retaining angles which commonly protrude from behind the grille. A steel grille installs over and completely hides the mounting tabs. The damper is offset in the sleeve to accommodate a single or double deflection supply air grille, single deflection supply air register or a return air grille or register. The 1271G is ideal for applications where building codes require both a fire damper for the protection of ductwork penetrations in walls or floors that have a fire resistance rating of up to 2 hours and also require a leakage rated damper for operational smoke control in static or dynamic smoke management systems. The 1271G has been designed and tested to offer a rugged cost effective damper well suited to the majority of commercial applications.

COMBINATION FIRE/SMOKE DAMPERS



**QUALIFICATIONS:**

- UL 555 & CAN/ULC-S112 CLASSIFIED DYNAMIC FIRE DAMPER 1 1/2 hr. Label (File # R9492).
- UL 555S CLASSIFIED SMOKE DAMPER (File # R9492) Leakage Class I or II at 250°F or 350°F elevated temperature.
- Meets NFPA 80, 90A, 92, 101 and 105.
- Maximum velocity: 2000 fpm @ 4" w.g. (10 m/s @ 1 kPa).

**STANDARD CONSTRUCTION:**

- Frame: 5" x 7/8" x 16 ga. (127 x 22 x 1.6) galvanized steel hat channel.
- Blades: 6" (152) wide on 5 1/2" (140) centers. 16 ga. (1.6) galvanized steel vee groove or double-skin design.
- Sleeve: 16" x 20 ga. (406 x 1.0) galvanized steel with 3/4" (19) wide grille mounting tabs.
- Linkage: Concealed in frame. 12 ga. (2.7) plated steel.
- Bearings: 1/2" (13) dia. self-lubricating oilite bronze.
- Axles: 1/2" (13) dia. plated steel double bolted to blades.
- Jackshaft: 1/2" (13) dia. cadmium plated steel.
- Jamb Seals: Stainless steel.
- Blade Seals: Silicone.

**Heat Responsive Device (Controlled Closure):**

ERL (Electric Resettable Link) is standard on dampers with electric actuators: 250°F (121°C) standard. 165°F (74°C), 212°F (100°C) and 350°F (177°C) available. PRL (Pneumatic Replaceable Link) is standard on dampers with pneumatic actuators: 212°F (100°C) standard. 165°F (74°C) and 280°F (138°C) available.

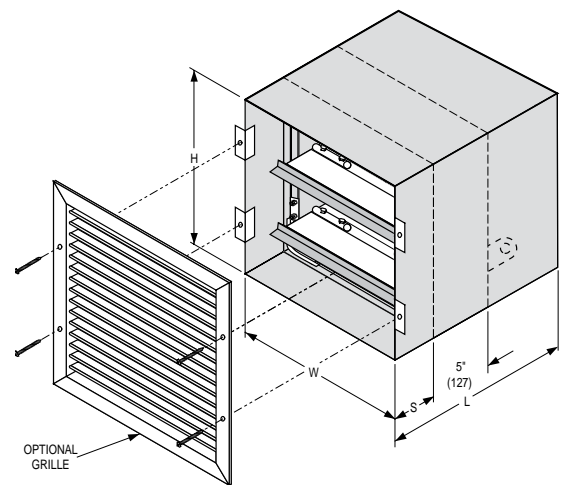
**Model 1271G Sizes (Duct W x H):**

Velocity/ Pressure Rating	Elevated Temp. °F	Minimum		Maximum	
		Single Section Vertical/Horizontal	Single Section Vertical/Horizontal	Single Section Vertical/Horizontal	Single Section Vertical/Horizontal
24	250/350	8" x 8" (203 x 203)	24" x 24" (610 x 610)		

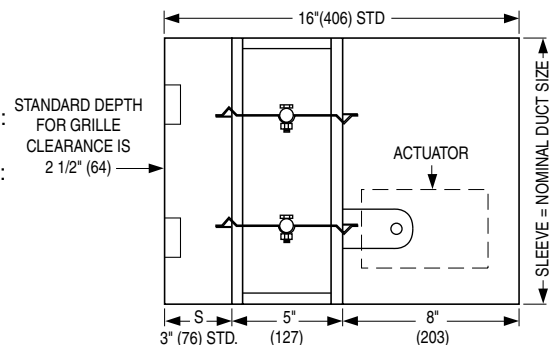
**Note:** Minimum 6 1/2" (165) wall thickness is required for this installation. Contact factory for non-standard applications.

**COMMON OPTIONS:**

- DTS Damper Test Switch for cycle testing.
- DTO Dual Temperature Override Sensor (MLS-400).
- MLS-300 Position Indicator Switch Pack.
- QS1 & QS2 "Quick-Set" Retaining Angles.
- Factory fitted sleeves in custom lengths and gauges.



**MODEL 1271G 1 1/2 HOUR LABEL**



**Note:** Standard sleeve is 16" (406) long x 20 ga. (1.0), provides a grille clearance depth of 2 1/2" (64), and requires a minimum wall thickness of 6 1/2" (165) (closed damper blades must remain within the plane of the wall/floor). Damper position 'S' may be reduced to accommodate a thinner wall but grille clearance will reduce accordingly.

**HOW TO ORDER**

**MODEL: 1271G - 1 1/2 HOUR LABEL**

**COMBINATION FIRE/SMOKE DAMPER FOR GRILLES**

**EXAMPLE: 1271G - 24X24 - V - AUTO - 120 - I - 24 - 250 - ERL - 250 - BO - SL = 16 - 20G - EXT - RH - CL - FL12 - L8**

- 1a. **Model**  
**Dynamic or Static Applications**  
1271G Grille Mount,  
Vee Groove Blade,  
1 1/2 Hour Label
- 1b. **Sleeve/Enclosure Style**  
**(4<sup>th</sup> Digit)**  
1 = Type A Sleeve
- 2. **Duct Size**  
Width x Height  
inches (mm's)
- 3. **Mounting**  
V Vertical (wall)  
H Horizontal (floor)
- 4. **Actuator Selected By**  
AUTO Least Cost (Auto-Select) (default)  
BEL Belimo  
HON Honeywell  
SIE Siemens
- 5. **Power Requirement**  
120 120 VAC (default)  
230 230 VAC  
24 24 VAC  
25 25 psi Pneumatic
- 6. **Leakage Rating**  
I Class I  
II Class II (default)
- 7. **Max. Velocity / Pressure Rating**  
24 2000 fpm @ 4" w.g. (default)
- 8. **Elevated Temperature**  
250 250°F (default)  
350 350°F
- 9. **Closure Device**  
ERL ERL Electric Resettable Link (default)  
PRL PRL Pneumatic Link  
DTO Dual Temperature Override Sensor  
(MLS-400)
- 10. **Closure Temperature**  
**ERL /PRL**  
165 165°F  
212 212°F (PRL)  
250 250°F (ERL only) (default)  
280 280°F (PRL only)  
350 350°F (ERL only)  
**DTO Dual Temperature Override Sensor**  
**(MLS-400)**  
HL 250/165°F  
HIL 350/165°F
- 11. **Bearings**  
BO Oilite Bronze (default)  
BS Stainless Steel

- 12. **Sleeve Length**  
**SL = Specify**  
16" (406) standard (default)  
16" – 36" (406 – 914)
- 13. **Sleeve Gauge**  
20G 20 Ga. standard (default)  
18G 18 Ga.  
16G 16 Ga.  
14G 14 Ga.  
10G 10 Ga.
- 14. **Actuator Mounting**  
EXT External (default)  
INT Internal
- 15. **Actuator Location**  
RH Right hand (default)  
LH Left hand  
MH Multi-hand
- 16. **Actuator Fail Position**  
CL Close (default)
- 17. **Actuator Models**  
**Electric:**  
HL1 MS4104F 120VAC  
HL2 MS8104F 24VAC  
HL3 MS4604F 230VAC  
HM1 MS4109F 120VAC  
HM2 MS8109F 24VAC  
HM3 MS4609F 230VAC  
HH1 MS4120F 120VAC  
HH2 MS8120F 24VAC  
HH3 MS4620F 230VAC  
GD2 GGD221 120VAC  
GD1 GGD121 24VAC  
GD3 GGD321 230VAC  
FT12 FSTF120 120VAC  
FT23 FSTF230 230VAC  
FT24 FSTF24 24VAC  
FL12 FSLF120 120VAC  
FL23 FSLF230 230VAC  
FL24 FSLF24 24VAC  
F12 FSNF120 120VAC  
F23 FSNF230 230VAC  
F24 FSNF24 24VAC  
FA12 FSAF120A 120VAC  
FA23 FSAF230A 230VAC  
FA24 FSAF24A 24VAC  
**Pneumatic:**  
296 331-2961  
306 331-3060
- 18. **Damper Location**  
L8 8" (203) from sleeve end (default)  
LX Other (specify)  
8" – 16" (203 – 406)

**OPTIONS & ACCESSORIES:**

- 19. **Position Indicator**  
— None (default)  
300 MLS-300 (4-wire)  
(Included with Dual Temperature  
Override Sensor [DTO])
- 20. **EP Switch**  
— None (default)  
EP1 120 VAC  
EP2 24 VAC
- 21. **Retaining Angles**  
— None (default)  
QS1 One side
- 22. **TDF Flange**  
— None (default)  
TDF1 One end
- 23. **Damper Test Switch**  
— None (default)  
DTS Damper Test Switch

**Notes:**

- 1. Not all variants and options are available on all models. Refer to individual model for selection availability.
- 2. ERL is standard on all dampers with electric actuators. PRL is standard on all dampers with pneumatic actuators.  
An ERL or DTO (MLS-400) may be ordered on dampers with pneumatic actuators, but in addition, an EP switch (factory mounted) is required.
- 3. EP (electric-pneumatic) switch accessory is applicable only to pneumatic actuators and is optional (shipped loose) when PRL closure device is selected.
- 4. One DTO (MLS-400) or MLS-300 required per damper assembly. DTO (MLS-400) includes MLS-300 position indicator.
- 5. Maximum Closure Temperature allowed is equal to Damper Elevated Temperature.

COMBINATION FIRE/SMOKE DAMPERS



## HOW TO SPECIFY

### MODEL SERIES: 1271G - 1 1/2 HOUR LABEL COMBINATION FIRE/SMOKE DAMPERS FOR GRILLES

**SUGGESTED SPECIFICATION:**

Provide and install, as shown on plans and/or schedules, Combination Fire/Smoke Dampers approved for use with grilles where ductwork design penetrates and terminates at a fire separation, as manufactured by Nailor Industries, Inc., which meet or exceed the following criteria: Dampers shall meet the requirements of NFPA 80, 90A, 92, 101 and 105. Dampers shall be classified by Underwriter's Laboratories and labeled as 1 1/2 hour Dynamic Fire Damper under UL 555 and as a (**specifier select class**) Class I or Class II Smoke Damper under UL 555S at an elevated temperature of (**specifier select temperature**) 250°F (121°C) or 350°F (177°C) for use in dynamic or static Smoke Control Systems. Dampers shall be tested under UL 555 and UL 555S by UL to a minimum velocity/pressure rating of 2000 fpm @ 4" w.g. (10 m/s @ 1 kPa).

Frame shall be constructed of 16 ga. (1.6) galvanized steel hat channel with mitered corners reinforced with die-formed corner gussets for strength. Blades shall be of formed vee groove or double-skin design, 16 ga. (1.6) galvanized steel, on 5 1/2" (140) centers and shall be parallel configuration. Blade axles shall be plated steel, double bolted at each end of blade to provide positive locking connection. Hex, square friction-fit or press-fit axles are not acceptable. Bearings shall be self-lubricating oilite bronze type. Blade linkage shall be zero maintenance, concealed in frame, out of airstream. Jamb seals shall be compression-type stainless steel. Blade seals shall be silicone. Dampers shall be supplied with factory installed sleeves, length dependent on wall thickness, minimum 16" (406). Wall thickness shall be field verified by contractor. Sleeves shall be caulked to UL requirements and shall be 20 ga. (1.0) galvanized steel, with 3/4" (19) wide Nailor grille concealed mounting tabs on one end.

Appropriate (**specifier select**) externally or internally mounted (**specifier select type**) electrical or pneumatic actuators shall be installed by the damper manufacturer in the factory. Actuators shall incorporate an OEM internal spring return mechanism; external after-market spring mechanisms are not acceptable. Each damper shall be equipped with a UL Classified heat responsive device that will cause the damper to close in a controlled manner and lock in a closed position by means of an over center/knee lock linkage when the duct temperature reaches the maximum degradation temperature of the damper/actuator assembly, as required by UL 555S. Closure devices that cause instantaneous closure are not acceptable. Damper and actuator assembly shall be factory cycled a minimum of 3 times to ensure correct operation.

Damper manufacturer shall submit pressure drop data to be based on tests in accordance with AMCA Standard 500-D. Standard of acceptance shall be Nailor Industries Model 1271G.

## Options and Accessories

Nailor combination fire and smoke dampers are tested by and listed with Underwriters Laboratories Inc. and are manufactured within UL procedural requirements.

### CLOSURE DEVICES:

#### OPTION CODE **ERL** ELECTRIC RESETTABLE LINK

The ERL Electric Resettable Link (heat sensor) is the standard closure mechanism on all Nailor combination fire/smoke dampers ordered with an electric actuator. The ERL is a thermally responsive bimetal disc/thermostat that opens and closes electrical contacts at a specific calibrated temperature. The ERL is a UL Classified Heat Responsive Device.

The standard ERL on Nailor combination fire/smoke dampers has a fixed temperature setting of 250°F (121°C) which is the UL listed elevated/degradation temperature of the damper/actuator assembly. A 350°F (177°C) elevated temperature classification and ERL is available as an option. A 165°F and 212°F (74°C and 100°C) ERL are also available. Local codes have specified 165°F (74°C) widely in the past.

The ERL performs the same function as the fusible link, that is to sense an abnormally high temperature, as caused by a fire and allow the damper to close in order to prevent the spread of fire and smoke. The sensor interrupts power to the actuator and the actuator's spring return mechanism causes the damper to close and lock.

In smoke control mode, when a signal is detected via a normally closed smoke detector connection, the damper will close and remain closed until the smoke signal ceases. The system will then reset when power is re-applied and the damper will open. The damper may be closed at any time by placing a control switch (optional and by others) in the closed position.

The ERL sensor is of the manual reset type and can be reset after the temperature has cooled down below the sensor set point. This feature is a tremendous advantage where periodic system testing involves application of heat to the sensor to verify correct damper operation. Exposure to actual fire conditions may render these devices unusable. In this case, it is recommended that a careful inspection of the damper, actuator and ERL be performed.

The ERL in combination with all Nailor qualified electric (or pneumatic) actuators provides controlled closure and eliminates the instantaneous damper closure associated with traditional fusible links that can cause damage to the ductwork.

The ERL requires factory installation and wiring together with the associated actuator to meet UL requirements. Note that dampers provided with pneumatic actuators utilize the PRL (see below) as standard (max. 280°F [138°C]) but can be provided with the ERL. An EP switch is required in this case.

#### OPTION CODE **PRL** PNEUMATIC REPLACEABLE LINK

The Nailor PRL Pneumatic Replaceable Link is a UL Classified heat responsive device used in conjunction with Nailor combination fire/smoke dampers.

A 212°F (100°C) PRL is supplied as standard on all combination fire/smoke dampers ordered with a pneumatic actuator. A 165°F and 280°F (74°C and 138°C) PRL are also available. An alternative to the PRL would be the Nailor

ERL (Electric Resettable Link) with an EP (Electric/Pneumatic) switch.

The PRL is a factory mounted pneumatic release valve/replaceable fusible link assembly. The PRL's function is to sense an abnormally high temperature, as caused by a fire, and allow the damper to close in order to prevent the spread of fire and smoke.

**Fire Control Mode:** The PRL activates when a fire temperature in excess of 165°F, 212°F or 280°F (74°C, 100°C or 138°C) is detected. When the fusible link melts, air from the pneumatic actuator(s) is exhausted and the actuator spring return mechanism causes the damper to close and lock.

**Smoke Control Mode:** When a signal is detected via a normally closed smoke detector connection, during system testing or if power failure occurs, the damper will close and remain closed. When the smoke signal ceases (smoke detector reset), the test is completed or power is restored, the damper will automatically reset to the open position.

An EP (electric/pneumatic) switch, by others, must be present in the system.

All pneumatic actuators are factory mounted with a fail close (Normally Closed) damper connection.

#### Notes:

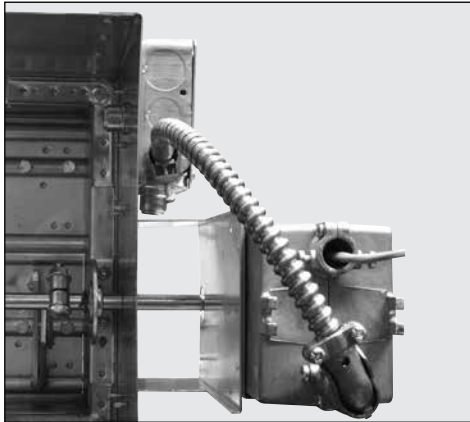
1. The PRL must be installed at the factory and cannot be added in the field, in accordance with UL requirements.
2. A single PRL may be use to control up to a maximum of four pneumatic actuators.
3. Pneumatic actuators are to be field piped per local codes.

## CLOSURE DEVICES:

**OPTION CODE DTO (ML4)**  
**DUAL TEMPERATURE OVERRIDE**  
**SENSOR**  
**REOPENABLE CONTROL PACKAGE**

- **REOPENABLE HEAT SENSOR W/POSITION INDICATOR SWITCH PACK**
- **FOR USE IN ENGINEERED SMOKE CONTROL SYSTEMS**

The DTO Dual Temperature Override Sensor is a UL Classified reopenable control/status indicator package that is a factory installed option on all Nailor Combination Fire/Smoke dampers.



### HOW THE DTO DUAL TEMPERATURE OVERRIDE SENSOR WORKS:

UL 555 permits Combination Fire/Smoke dampers to be equipped with both a primary (low limit) and secondary (high limit) heat responsive closure device. This allows the appropriate authority (from a remote fire fighters' smoke control station) to bypass/override the primary sensor, usually 165°F (74°C), after fire induced closure or smoke detector signal and reopen the damper as may be required for smoke control functions. The damper can be operated in this 'override mode' until the elevated temperature limit of 250°F (121°C) or 350°F (177°C) is sensed at the damper. The secondary heat responsive device, a 250°F (121°C) or 350°F (177°C) manually resettable heat sensor, then returns it to the fire protection mode, permanently reclosing the damper and rendering it inoperable, as required by UL 555 and NFPA 90A.

The built-in damper position indicator switch provides positive indication of either fully open or closed damper status.

### A WORD ABOUT "REOPENABLE" CONTROLS....

The dual temperature rated reopenable closure option was originally developed during the 1980's to comply with NFPA 90A requirements that mandated the primary (low limit) closure temperature to be a maximum of 286°F (141°C). The dual temperature closure option permits the damper to close when the primary closure temperature rating of 286°F (141°C) or less (usually 165°F [74°C]) is reached, then be reopened to utilize the duct for smoke removal until the secondary (high limit) closure device temperature rating, usually 350°F (177°C) is reached.

The 1996 edition of NFPA 90A revised the maximum primary closure temperature to 350°F (177°C) or the elevated temperature rating of the damper (250°F [121°C] or 350°F [177°C]). This revision virtually eliminates the need for a "reopenable" type control system as the damper can now remain operational during the HVAC system's designed smoke control mode until 350°F (177°C) is reached. However, there is still a misconception that this dual temperature rating option is necessary to meet the requirements of both NFPA and UL, as well as local building codes, in order for the damper to be utilized for smoke removal until its elevated temperature rating is reached. Although it does provide a method of complying with some building codes that require fire dampers to close at 212°F (121°C) or less, while still providing the potential to reopen the damper for smoke removal reasons, in most cases the disadvantages render it obsolete. The cost of the additional wiring and intricate controls required, when compared to the cost of a single 250°F (121°C) or 350°F (177°C) closure device, can rarely be justified. Also the complexity of the design may in fact hinder its proper use if personnel are not properly trained, at further cost, to operate it during an emergency.

Therefore, as the dual temperature rated closure option and its associated higher costs are no longer required to comply with NFPA 90A, Nailor recommends using a single 250°F (121°C) or 350°F (177°C) closure device in engineered smoke control systems as the logical selection. If the system is designed to accommodate damper open/closed status indication, Nailor's MLS-300 Position Indicator option provides a simple, functional means to a complete smoke control package.

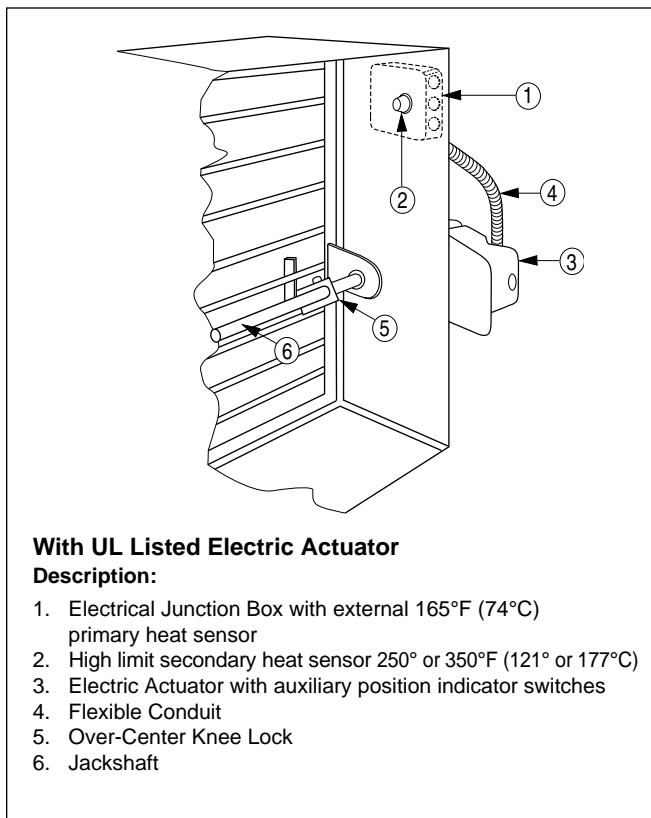
## CLOSURE DEVICES:

### ADVANTAGES OF NAILOR'S EXTERNAL LOW LIMIT HEAT SENSOR

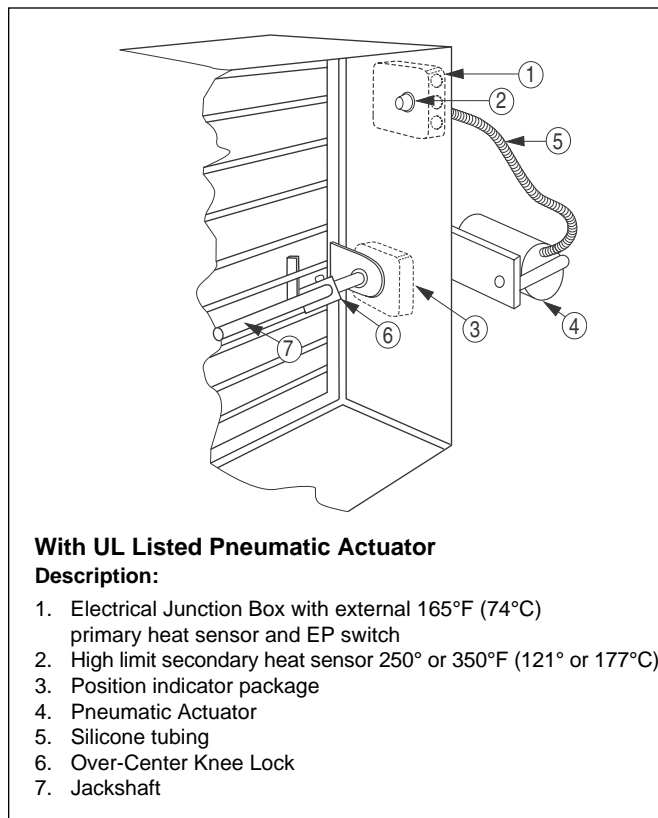
Nailor's **DTO Dual Temperature Override Sensor** features a low-limit heat sensor that is mounted outside the duct adjacent to the actuator rather than inside the duct. As most fires originate outside the duct, which is commonly insulated, an internally mounted heat sensor would not trip as early. And as most actuators and electrical wiring are located on the external surfaces of the sleeve, they could be subjected to damaging temperatures long before an internally mounted heat sensor trips. Nailor's **DTO Dual Temperature Override Sensor** ensures that the damper will close within the temperature limits of the actuator and before any damage to external components can occur.

The **DTO Dual Temperature Override Sensor** may be used with either a UL Listed Electric Actuator or Pneumatic Actuator. Connections to the junction box are the same.

COMBINATION FIRE/SMOKE DAMPERS



WITH UL LISTED ELECTRIC ACTUATOR



WITH UL LISTED PNEUMATIC ACTUATOR

## CLOSURE TEMPERATURE:

**OPTION CODES**  
**165 212 250 280 350**  
 CLOSURE TEMPERATURE

ERL/PRL's for Nailor's Combination Fire/Smoke dampers are available with a choice of several closure temperature ratings. Nailor combination fire/smoke dampers are equipped as standard with a 250°F (121°C) ERL or a 212°F (100°C) PRL. Available 165°F (74°C), 212°F (100°C) or 350°F (177°C) ERL's and 165°F (74°C) or 280°F (138°C) PRL's can be installed on damper at time of manufacturing.

The National Fire Protection Association Standard 90A requires that combination fire/smoke dampers that are part of an engineered smoke-control system shall have a heat responsive device with a temperature rating approximately 50°F (28°C) above the maximum smoke control system designed operating temperature, but not to exceed the UL 555S elevated temperature rating of the damper assembly or a maximum of 350°F (177°C).

**OPTION CODE**  
**HL250/165°F OR HL350/165°F**  
 HIGH/LOW CLOSURE TEMPS.  
 FOR DTO DUAL TEMPERATURE  
 OVERRIDE SENSOR

Nailors' DTO Dual Temperature Override Sensor reopenable control package utilizes two separate heat responsive devices to automatically close the damper: a 'low limit' primary device rated at 165°F (74°C) or 212°F (100°C) that closes the damper upon sensing heat at selected temperature, but can be overridden from the fire fighters smoke control station to reopen damper for smoke control purposes; a 'high limit' secondary device of either 250°F (121°C) or 350°F (177°C) temperature rating that permanently re-closes the damper upon sensing heat at selected temperature, rendering it inoperable, as required by UL 555 and NFPA 90A. The high limit temperature rating cannot be higher than the elevated temperature rating of the damper assembly as determined by UL 555S Standard for Smoke Dampers. As NFPA 90A requires that the closure device shall have a temperature rating approximately 50°F (28°C) above the maximum smoke control system designed operating temperature, the low limit (primary closure device) temperature rating, either 165°F (74°C) or 212°F (100°C) should be selected based on this criteria. When selecting the high limit secondary device temperature rating (either 250°F [121°C] or 350°F (177°C), Nailor recommends 350°F [177°C]), as this will provide additional time for the damper to be utilized in smoke control mode until it is closed permanently. Remember that the high limit temperature selected can not be higher than the elevated temperature rating of the damper assembly as determined by UL 555S.

**UL 555 Closure Temperature Requirements**  
 As of July 1, 2002, UL 555 Safety Standard for Fire Dampers, Sixth Edition (June 1999) requires that combination fire and smoke dampers have a heat responsive device of minimum 160°F (71°C), maximum 350°F (177°C) temperature rating but it cannot be greater than the UL 555S elevated temperature rating of the damper assembly. For reopenable combination fire and smoke dampers the temperature rating of the primary heat responsive device must be minimum 160°F (71°C), maximum 212°F (100°C). The temperature rating of the secondary heat responsive device must be greater than that of the primary device, but cannot exceed 350°F (177°C) or the UL 555S elevated temperature rating of the damper assembly.



## POSITION INDICATORS:

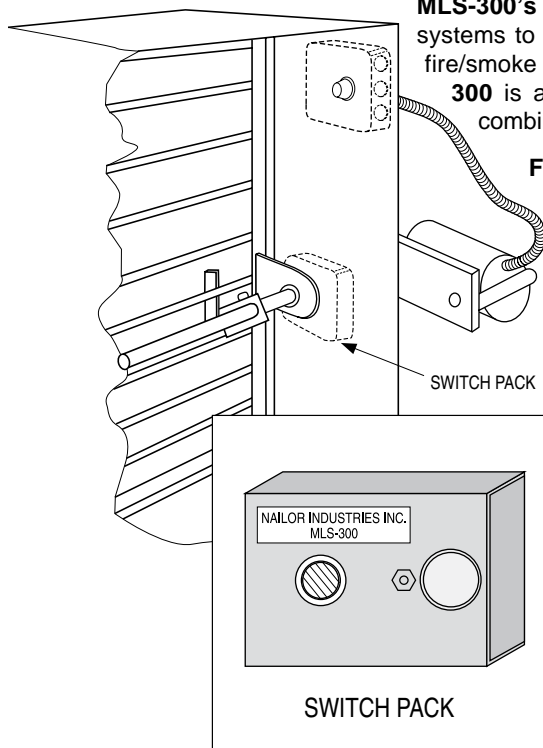
**OPTION CODE 300**  
 MLS-300 POSITION INDICATOR  
 SWITCH PACK

The **MLS-300 Series Position Indicator Switch Pack** is generally utilized to indicate open and closed position of the damper blades. It incorporates two SPDT switches that may be used to operate signal lamps or to provide a start/stop circuit for remote fans or to signal alarms.

**MLS-300's** are used in active smoke control management systems to positively indicate the status of all combination fire/smoke and smoke dampers in the building. The **MLS-300** is available only as a factory installed option on combination fire/smoke and smoke dampers.

**Features:**

- Operates as a function of the damper blade position.
- Provides remote indication of damper blade position.
- Provides the ability to remotely control ON/OFF fan stations.
- Provides the ability to remotely signal alarms.



### Built-in Actuator Switch Packs

Many of the newer application specific actuators designed for use on fire/smoke dampers feature “add-on” component position indicator switches manufactured and UL tested by the actuator manufacturer. Honeywell MS4109F/MS8109F actuators are examples.

Some actuator models have variants with position indicator switches built right in to the actuator. Honeywell MS4120F/MS8120F and Belimo FSNF24S/FSNF120S actuators are examples.

When ordered with the MLS-300 Position Indicator Switch Pack, Nailor combination fire/smoke and smoke dampers that utilize these actuators will usually be supplied with the actuator mounted switch pack, factory installed as required by UL.

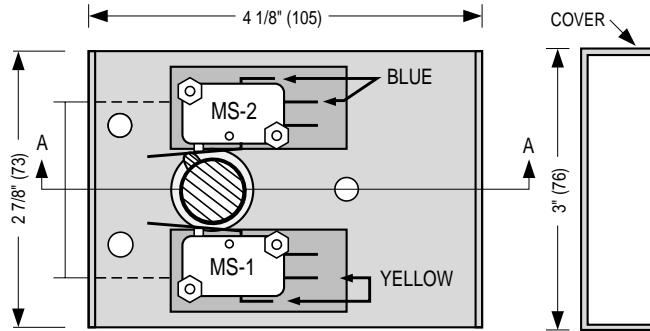


COMBINATION FIRE/SMOKE DAMPERS

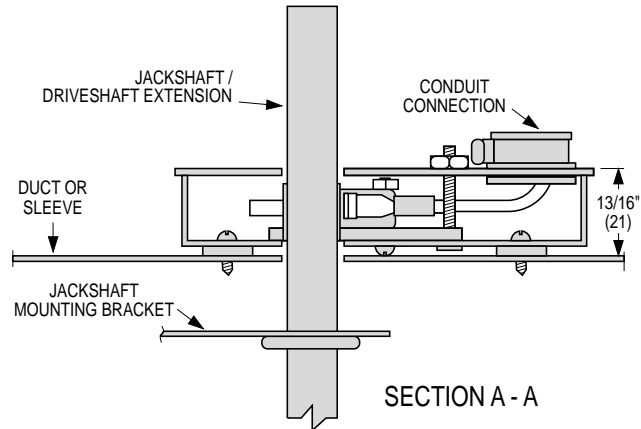
G

## POSITION INDICATORS:

### MLS-300N (NAILOR) SWITCH DETAILS



EXTERNAL RIGHT HAND MOUNTING: FRONT VIEW (LESS COVER)



TYPICAL JACKSHAFT MOUNTING

#### Position Indicator Microswitch Data:

Switch Type: Single Pole double throw (2)  
 15 Amps, 1/3 HP, 125, 250 Vac or 24 Vdc.  
 1/2 Amp, 125 Vdc. 1/4 Amp, 250 Vdc.

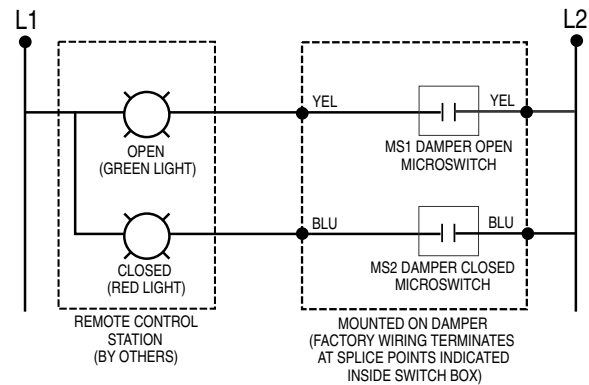
#### Standard Mounting:

**MS1** is damper open signal.

**MS2** is damper closed signal.

#### Non-Standard Mounting:

**Important:** Installer must double check continuity of MS1 and MS2 before wiring to determine which switch signals the damper's open or closed position.



MLS-300 TYPICAL WIRING DETAILS



## ELECTRO-PNEUMATIC SWITCHES:

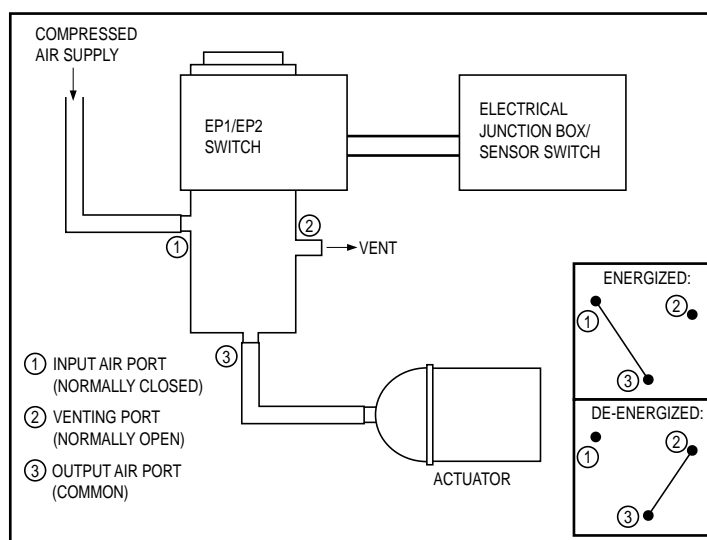
### OPTION CODES EP1 AND EP2

EP1 120 VAC E/P SWITCH  
EP2 24 VAC E/P SWITCH



Nailor Options **EP1** and **EP2** electro-pneumatic switches are electrically operated, two-position 3-way air valves. They are used to interlock an electrical smoke or fire alarm system with a pneumatic damper actuator. The **EP1 (120 VAC)** and **EP2 (24 VAC)** valves are utilized to alternately apply pressure to, and exhaust pressure from a pneumatic damper actuator by an electrical input that energizes or de-energizes the solenoid of the switch. Barb type pneumatic piping connections are sized

for 1/4" (6) O.D. Polyethylene tubing. Units are UL and CSA approved and may be mounted in any position.



### OPERATION:

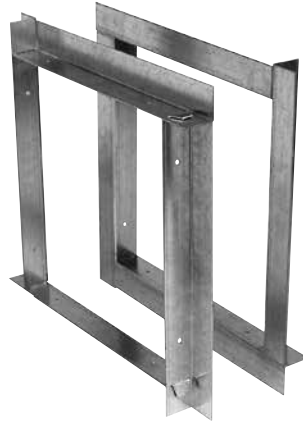
Input air is connected to port 1 (normally closed) and the output to the actuator is connected to port 3 (common). When the solenoid is energized port 1 connects to port 3 allowing the actuator to be controlled by input air, usually holding the damper in open position. When the solenoid is de-energized, port 2 (normally open) is connected to port 3, exhausting the air from the actuator allowing it to return to its normal fail position (fail open or fail closed).

## RETAINING ANGLES:

OPTION CODES  
**QS2** TWO SIDES (PAIR)  
**QS1** ONE SIDE  
 'QUICK-SET' RETAINING ANGLES

### FOR USE WITH ALL COMBINATION FIRE/SMOKE DAMPERS (EXCEPT MODEL 1290FS)

- Maximum size: 90" x 48" (2286 x 1219) or 48" x 90" (1219 x 2286).



#### BENEFITS:

- Factory fabricated by the manufacturer to suit the individual fire damper.
- Dampers can ship directly to the job site complete with all necessary installation sheet metal hardware (saves on double handling at contractor's shop).
- Reduced cost when compared to conventional retaining angles.
- Only two sets of angles to handle per damper (rather than eight).
- Angles ship with individual damper - no sorting or matching.
- Pre-drilled holes on 8" (203) centers to ensure correct angle/sleeve attachment.
- Help ensure a correct installation as per U.L. approved installation instructions.

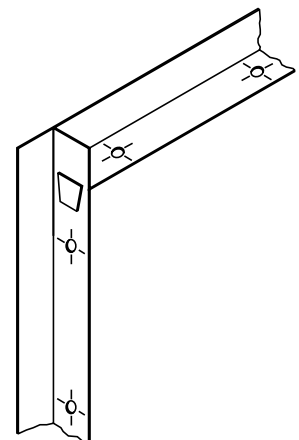
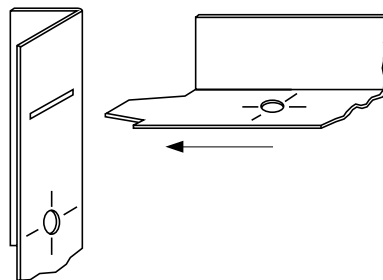
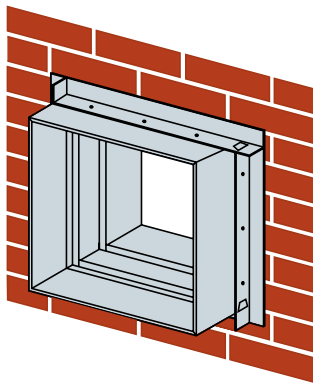
The majority of installing contractors view fire damper installation as a costly time consuming and troublesome procedure. Eight conventional angles must be custom fabricated for each damper either in a sheet metal shop or at the job site and sized to suit each individual damper. Invariably, they are mislaid or lost and must be matched to each factory supplied damper. The Nailor "Quick-Set" solution solves the majority of problems. They are pre-formed to fit each damper and shipped with the individual damper units for ultimate convenience.

Nailor "Quick-Set" retaining angles are an accessory option for all dampers ordered with factory sleeves.

**QS2:** Two sides (pair). For standard installations where angles are installed on both sides of the fire partition.

**QS1:** One side (single set). For use in a single side retaining angle installations and with grille mount and "out of wall" damper models. "Quick-Set" angles are supplied with correctly spaced pre-drilled screw-holes to ensure a quick, easy and accurate installation for all Nailor fire dampers - no measuring required.

"Quick-Set" retaining angles when specified and supplied with Nailor integral sleeve fire dampers provide the "complete" installation package. Simple, fast, convenient.



**Style 1:** 1 1/2" x 1 1/2" x 20 ga. (38 x 38 x 1.0) Four sides are connected together with rivets in three corners. Standard for the majority of applications with the following limitations:

- 1 1/2 hour label fire dampers.
- Maximum Size: 36" x 36" (914 x 914).
- Two sided installation only.

**Style 2:** 1 1/2" x 1 1/2" x 16 ga. (38 x 38 x 1.6) Slot and tab design. The retaining angle assembly for each side has four angles, each with a tab end and a slot end (Detail A). The tabs are to be inserted into the slots and knocked down either before or after fastening to the sleeve (Detail B).

- 1 1/2 or 3 hour label fire dampers.
- Maximum Size: 90" x 48" (2286 x 1219) or 48" x 90" (1219 x 2286).
- Single side (1 1/2 hour only. Refer to Single Side Retaining Angles Supplementary Installation Instructions for size limitations) or two sided installation.



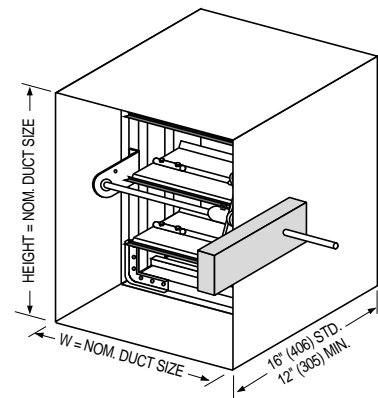
## SLEEVES OR SIDE MOUNTING PLATE:

TYPE A SLEEVES  
MODELS 1221 and 1271

Nailor strongly recommends that all combination fire/smoke dampers including Type A models, are specified and ordered complete with a factory installed full sleeve (Type B and C models are manufactured as standard with transition casing that acts as a sleeve). A factory installed sleeve allows the units to ship directly to jobsite ready for installation, saving time, money and costly field fabrication and mounting, as well as helping to ensure proper installation and caulking to UL requirements. As all combination fire/smoke dampers are required to be installed in a sleeve, and all actuators must be factory mounted, a factory supplied sleeve provides the easiest and most cost effective method to accomplish this as well as ensuring that the damper/actuator assembly functions properly. Standard sleeve is 16" (406) long. See Models 1221 and 1271 for further damper/sleeve details.

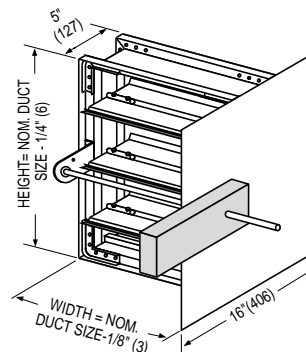
The following indicates model numbers to order for combination fire/smoke dampers with factory fitted Type A sleeves:

STANDARD MODEL #	WITH TYPE A SLEEVE
1220 →	MODEL 1221
1270 →	MODEL 1271



OPTION CODE **SMP**  
SIDE MOUNTING PLATE

Although not recommended, Nailors **SMP** Side Mounting Plate provides a method of factory installing an externally mounted actuator onto Model Series 1220 and 1270 combination fire/smoke dampers. UL 555 and UL 555S safety standards latest editions require that actuators shall be factory mounted. This is to help ensure that the damper/actuator assembly functions properly and eliminates possible jobsite installation errors. As with all combination fire/smoke dampers, an appropriate full steel sleeve must be field fabricated for installation of damper in wall or floor.



**SIDE MOUNTING PLATE FOR COMBINATION FIRE/SMOKE DAMPERS**

COMBINATION FIRE/SMOKE DAMPERS



## FLANGED SLEEVE

OPTION CODES  
TDF FLANGE  
**TDF2 BOTH ENDS**  
**TDF1 ONE END**



**TDF** (by Engle) and **TDC** (by Lockformer) proprietary flange systems are approved as breakaway connections for connecting a combination fire/smoke damper Type A sleeve (22 or 20 gauge) to ductwork. They may be used in place of the approved slip joints shown in standard installation instructions.

For Option **TDF1** the sleeve is factory flanged on one end only.

For Option **TDF2** the sleeve is factory flanged on both ends.

Note that the maximum wall/floor opening size permitted by UL, relative to the damper size, may not physically allow the flange to fit through the opening. Consultation and co-ordination with the wall/floor contractor is recommended. **TDF1**, flange on one end only, will permit the non-flanged end of the sleeve to fit through the opening. Specify which end to be flanged in relation to the jackshaft.

Maximum TDF1/TDF2 Sleeve Size Allowed:
For Curtain Type Fire Damper: 60" wide x 60" high (1524 x 1524).
For Multi-Blade Type Fire Damper: 36" wide x 48" high (914 x 1219).

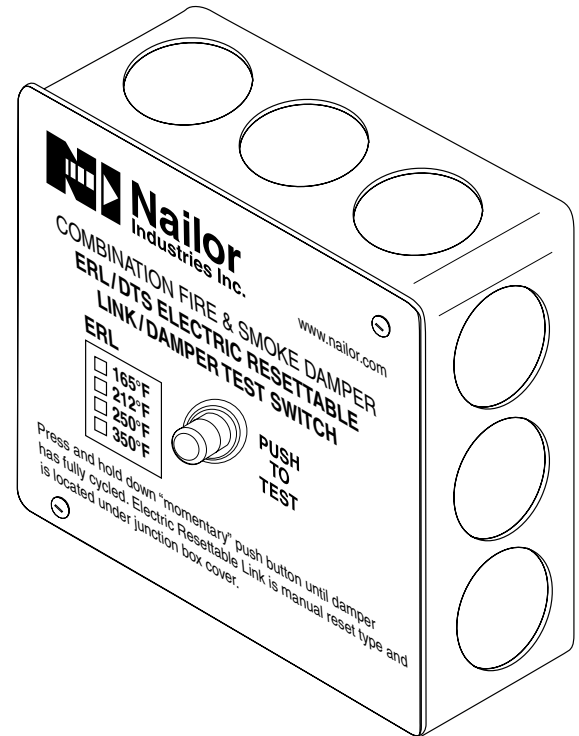
## DAMPER TEST SWITCH

**OPTION CODE DTS**  
**PUSH BUTTON TEST SWITCH**

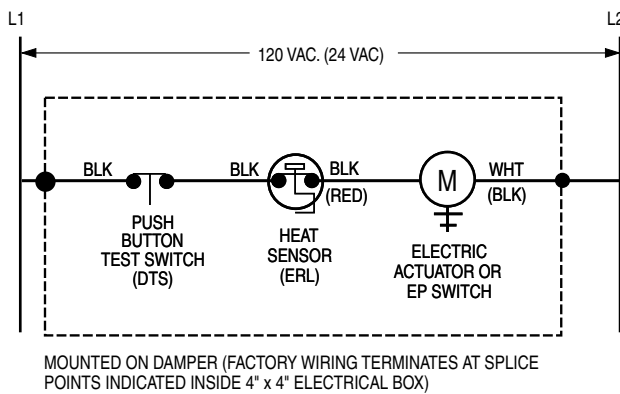
The DTS (Damper Test Switch) is an optional “momentary” push button test switch available on all Nailor smoke and combination fire/smoke dampers. The DTS provides the ability to “cycle test” the damper by pushing and holding down the button until the damper has cycled and closure has been visually verified, either by inspecting the damper through the access door or by confirmation at a remote control panel when equipped with the optional MLS-300 position indicator.

The DTS is mounted right on the damper and enables a single maintenance person to test and cycle the damper, eliminating the need for help from another person in the control room.

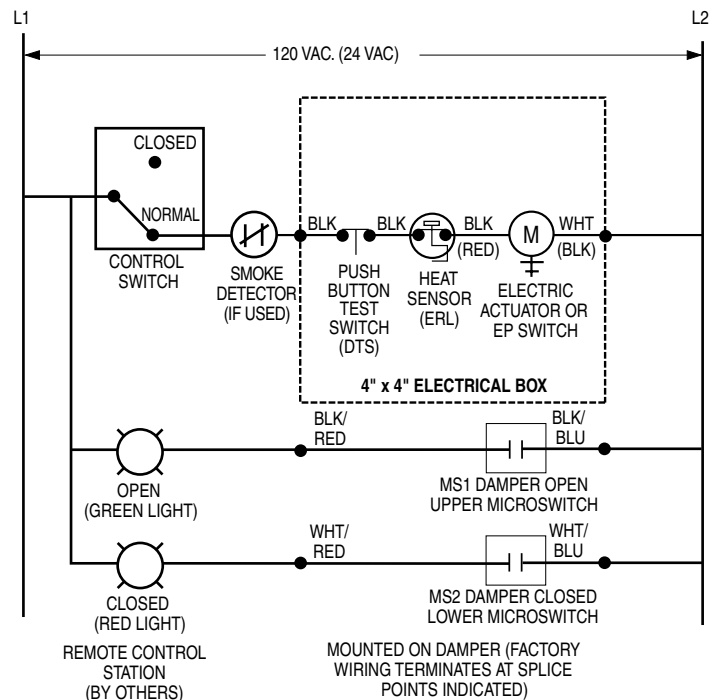
When a combination fire/smoke damper is ordered, the DTS is combined with the ERL (Electric Resettable Link).



**DTS/ERL Damper Test Switch w/Electric Resettable Link**



**Figure 1. DTS/ERL Damper Test Switch with Electric Resettable Link**



**Figure 2. DTS/ERL with MLS-300 (Honeywell) Position Indicator Package (rotary cam type)**

COMBINATION FIRE/SMOKE DAMPERS



## DUCT SMOKE DETECTORS:

**OPTION CODE DSDN**  
 DSD-NF NO-FLOW  
 DUCT SMOKE DETECTOR

### APPLICATION:

Nailor Model DSD-NF duct smoke detector (no-flow) can be utilized with Nailor UL555S Classified combination fire/smoke dampers to detect the presence of smoke within HVAC ductwork, whether or not there is airflow, and close the damper to prevent the smoke from spreading. As most fatalities resulting from fires can be attributed to the effects of toxic smoke, detecting and controlling the smoke from spreading within the HVAC system is vital to preventing injury as well as limiting property damage, including damage to the HVAC system itself. Refer to NFPA Standards 72, 90A and 92 to determine when and where duct smoke detectors are required.

The DSD-NF detector features a low-profile design for optimum pressure drop and will operate with airflow in either direction. It can be factory installed to top of sleeve (side mounting optional) on Nailor Model Series 1220 and 1270 combination fire/smoke dampers.

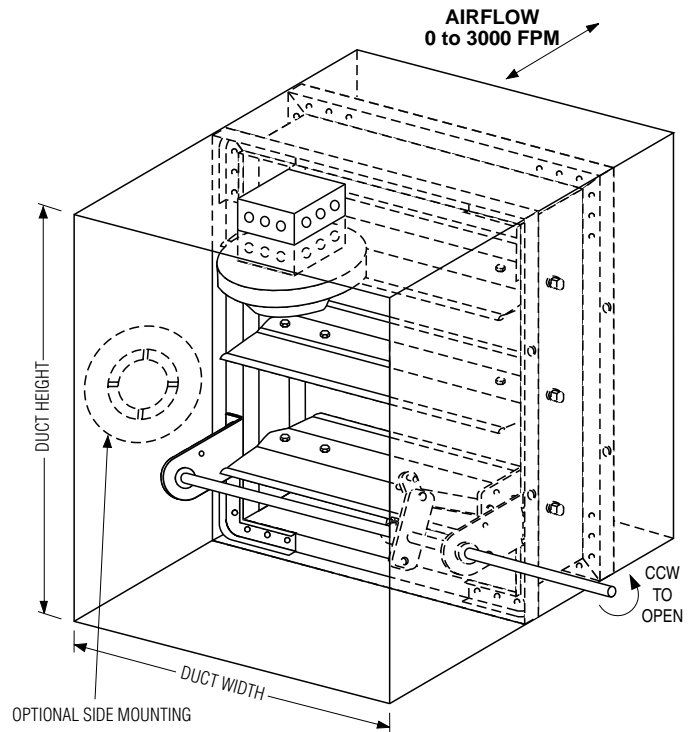
### OPERATION:

Upon detection of smoke, the smoke detector causes the damper to close by cutting off power to the actuator. The actuator return spring forces the damper closed. The detector can be reset only by a momentary power interruption. The standard model DSD-NF detector and smoke damper combination is designed simply to close the damper upon detection of smoke. For applications requiring the detector to be wired into a fire fighters' smoke-control station (FSCS), contact Nailor.

### DSD-NF STANDARD SPECIFICATION:

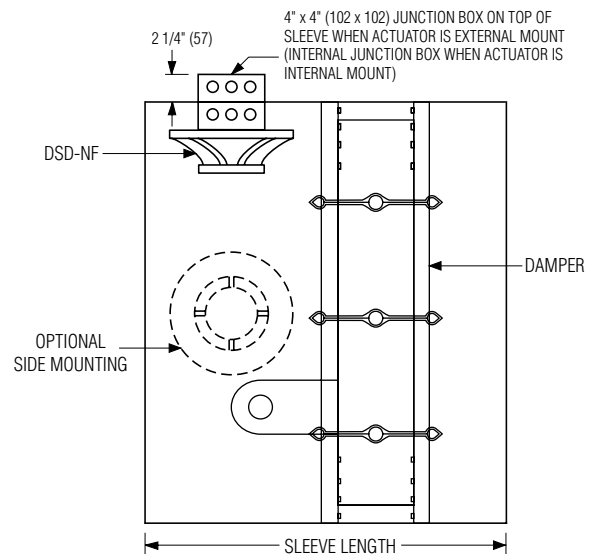
- Model:** System Sensor 2151 Low-Profile.
- Sensor Type:** Photoelectric.
- Dimensions:** 6.1" (155) dia. flanged base.
- Weight:** 3.6 oz. (104 g).
- Airflow Velocity Range:** 0 to 3000 fpm (0 to 15.24 m/s).
- Operating Temperature Range:** 32°F to 120°F (0°C to 49°C).
- Operating Humidity Range:** 10% to 93% Relative Humidity Non-Condensing.
- Sensitivity:** 3% ± .7%/ft
- Voltage:** 120 VAC or 24 VAC/DC.
- Latching Alarm:** Reset by momentary power interruption.

Contact Nailor for minimum damper size and sleeve length for your specific application. See page C13 for general damper size, sleeve length and damper position guidelines.



### NOTES:

1. Factory mounted smoke detectors will be factory wired to actuator(s) (or E.P. switch) and heat sensor(s), as applicable, into a 4" x 4" (102 x 102) common junction box in order to provide a single point wiring connection in the field.



COMBINATION FIRE/SMOKE DAMPERS





## DUCT SMOKE DETECTORS:

### OPTION CODE **DSDL**

DSD-LF LOW-FLOW  
DUCT SMOKE DETECTOR

### APPLICATION:

Nailor Model DSD-LF duct smoke detector (low-flow) can be utilized with Nailor UL555S Classified combination fire/smoke dampers to detect the presence of smoke within HVAC ductwork and close the damper to prevent the smoke from spreading. As most fatalities resulting from fires can be attributed to the effects of toxic smoke, detecting and controlling the smoke from spreading within the HVAC system is vital to preventing injury as well as limiting property damage, including damage to the HVAC system itself. Refer to NFPA Standards 72, 90A and 92A to determine when and where duct smoke detectors are required.

The DSD-NF detector can be factory installed to side of sleeve on Nailor Model Series 1220 and 1270 combination fire/smoke dampers.

**A minimum airflow velocity of 100 fpm (0.5 m/s) is required for Model DSD-LF.**

### OPERATION:

Upon detection of smoke, the smoke detector causes the damper to close by cutting off power to the actuator. The actuator return spring forces the damper closed. The detector can be reset only by a momentary power interruption. The standard model DSD-LF detector and smoke damper combination is designed simply to close the damper upon detection of smoke. For applications requiring the detector to be wired into a fire fighters' smoke-control station (FSCS), contact Nailor.

### DSD-LF STANDARD SPECIFICATION:

**Model:** System Sensor D4120.

**Sensor Type:** Photoelectric.

**Dimensions:** (Rectangular) 14.38" (365) Length, 5" (127) Width, 2.5" (64) Depth.

**Weight:** 2.5 lbs. (1.14 kg.).

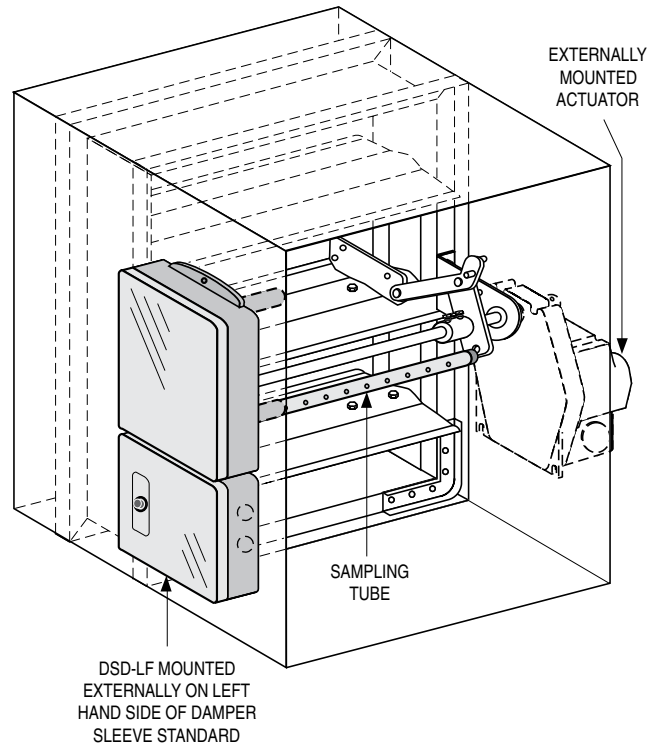
**Airflow Velocity Range:** 100 to 4000 fpm (0.5 to 20.3 m/s).

**Operating Temperature Range:** -4°F to 158°F (-20°C to 70°C).

**Operating Humidity Range:** 0% to 95% Relative Humidity Non-Condensing.

**Voltage:** 24 VAC/DC or 120 VAC.

**Contact Nailor for minimum damper size and sleeve length for your specific application. See page C13 for general damper size, sleeve length and damper position guidelines.**



### NOTES:

1. Smoke detector is factory mounted externally on left side of sleeve (opposite side of sleeve to the actuator) and will be mounted horizontally on dampers under 20" (508) in height and mounted vertically on dampers 20" (508) in height and over. See orientation details below.
2. Factory mounted smoke detectors will be factory wired to actuator(s) (or E.P. switch) and heat sensor(s), as applicable, into a 4" x 4" (102 x 102) common junction box in order to provide a single point wiring connection in the field.

