

**MODELS 1704D & 1706D  
FORMED STEEL LOUVERS  
DRAINABLE BLADE**

Nailor Models 1704D and 1706D provide extraordinary weather protection with great air performance and pleasing aesthetics that compliment any structure's exterior styling. The drainable blade design features a rain gutter that diverts collected water down concealed side downspouts and out through the sill. Suitable for use in exhaust and low to medium velocity intake applications where water penetration concerns are a priority. Nailor Model 1706D is AMCA Licensed for Water Penetration and Air Performance.



Models 1704D and 1706D



Models 1704DHP and 1706DHP

**MODELS 1704DHP & 1706DHP  
FORMED STEEL LOUVERS  
HIGH PERFORMANCE, DRAINABLE BLADE**

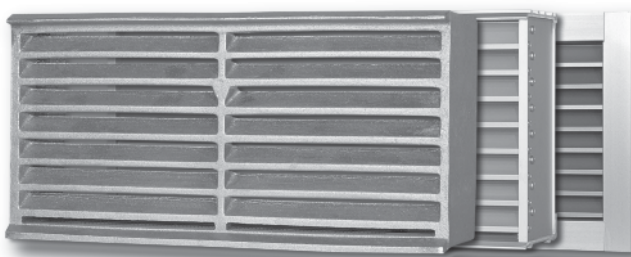
Nailor Models 1704DHP and 1706DHP combine exceptional air performance and excellent weather protection with smooth, clean lines that visually compliment any structure's exterior styling. The drainable blade design, constructed of durable galvanized steel, utilizes a rain gutter that prevent water from cascading from blade to blade and entering the air stream. Suitable for use in exhaust and low to medium velocity intake applications where water infiltration is a concern, the design also provides excellent air performance at higher velocities through its large free area. Nailor's high performance steel louvers are engineered to be durable, architecturally pleasing and cost effective.

**MODELS 1704AD & 1706AD  
FORMED STEEL LOUVERS  
ADJUSTABLE DRAINABLE BLADE**

Nailor Models 1704AD and 1706AD offer exceptional air performance and weather protection, architecturally pleasing aesthetics, and airflow control in one single unit. The economical and durable galvanized steel adjustable drainable blade design utilizes a rain gutter that diverts collected water down concealed side downspouts and out through the sill. Low torque concealed linkage blade control can be operated manually or with an actuator to provide tight shut-off when desired. Suitable for use in exhaust and low to medium velocity intake applications. Nailor's adjustable steel louvers are engineered to be aesthetically appealing as well as mechanically enduring.



Models 1704AD and 1706AD



Models 16BVC, 16BVE and 16BFV

**MODELS 16BVC, 16BVE & 16BFV  
CAST & EXTRUDED ALUMINUM • BRICK VENTS**

Nailor 16BV Series Brick Vents provide a permanent, secure means of ventilating foundations, crawl spaces and other utility areas. All models, designed with a louvered face, incorporate a rear water stop and full width weepage openings for minimal water penetration during severe weather. High corrosion resistant alloy cast or quality extruded aluminum construction resists potential damage due to vandalism, allowing for installation in accessible exterior areas. Suitable for load bearing applications, ideal for new construction. Standard insect screen prevents unwanted pests from entering through the vent.

## APPLICATIONS AND SIZING GUIDE

Selection of a louver for a specific application is determined by many variables including: aesthetic requirements, wall type/depth, pressure loss criteria and water penetration criteria. After determining the relative importance of each variable, a louver style and model can be selected by comparing individual design details and performance data, all included within this catalog. Use the following Applications Guide to assist in determining the appropriate louver type for your application:

Louver Application	Louver Type	Model
<b>EXTRUDED ALUMINUM - 1600 Series Louvers by Application</b>		
Decorative, A/C units, Curtain wall, Ventilation, Exhaust, Low to medium velocity intake	Thinline Frame Louver	1602J, 1602K
Decorative, Specialty Shapes, Ventilation, Exhaust, Low to medium velocity intake	Architectural Blade Louver	1604J, 1606J
Light to moderate rain, Ventilation, Exhaust, Low to medium velocity intake	Drainable Head, Architectural J Blade Louver	1604JD, 1606JD
Light to moderate rain w/ light wind, Exhaust, Low to medium velocity intake	Drainable Head, K Blade Louver	1604KD, 1606KD
Light to moderate rain, Exhaust, Low to medium velocity intake, Low pressure loss	Drainable Blade Louver	1602D, 1604D, 1606D
Moderate to heavy rain, Exhaust, Medium to high velocity intake, Low pressure loss	Dual Drainable Blade Louver	1604DD, 1606DD
Moderate to high winds w/ moderate to heavy rain, Exhaust, Higher velocity intake	Wind Driven Rain Louver	1605WD
Air Control & Shut-off, Light to moderate rain, Exhaust, Low to medium velocity intake	Combination & Adjustable, Drainable Blade Louver	1606CDAF, 1604AD, 1606AD
Sound control, Ventilation, Exhaust, Low to medium velocity intake	Acoustical Louver	1612QS
Visual screen, Vandalism concerns, Ventilation, Exhaust, Low to medium velocity intake	Sightproof Louver	1604Y
Foundation, Crawl space & utility area ventilation, Exhaust, Low to medium velocity intake	Brick Vent	16BVC, 16BVE, 16BVF
<b>FORMED STEEL - 1700 Series Louvers by Application</b>		
Decorative, General weather conditions, Ventilation, Exhaust, Low to medium velocity intake	Architectural Blade Louver	1704J, 1706J
Decorative, Light to moderate rain, Exhaust, Low to medium velocity intake	Drainable Head, Architectural Blade Louver	1704JD, 1706JD
Light to moderate rain, Exhaust, Low to medium velocity intake	Drainable Blade Louver	1704D, 1706D
Light to moderate rain, Exhaust, High velocity intake	Drainable Blade High Performance Louver	1704DHP, 1706DHP
Air Control, Ventilation, Exhaust, Intake	Adjustable, Drainable Blade Louver	1704AD, 1706AD

## HOW TO SIZE LOUVERS

The prime factor involved in sizing a louver is the velocity of the air through its free area. The free area is the actual unobstructed area of a louver through which air can travel. Other factors such as pressure drop and amount of water penetration are dependent upon the free area velocity and can be determined by using the respective performance charts provided for each specific louver model.

### 1. Select Model:

Choose the louver model that is the best suited for the specific application. Use the Applications Guide and 'Quick-Select' Model Guide to assist in making a selection, if so desired.

### 2. Select Free area Velocity:

Select optimum free area velocity for the specific application, checking Pressure Drop and Water Penetration charts for acceptable performance. For 'exhaust only' applications, water penetration data generally does not need to be considered. For extra weather protection, select a free air velocity that is below the beginning point of water penetration.

As a rule of thumb, ASHRAE suggests 400 fpm (122 m/min.) for intake applications and 500 fpm (152 m/min.) for exhaust applications.

### 3. Determine Required Louver Free Area:

Divide given AIRFLOW (cfm) by the selected FREE AREA VELOCITY (fpm) to determine the required louver free area. Using the Free Area Chart for the specific louver model chosen, select a louver size that provides the required Free Area. If, in the application, the louver size is given, the maximum practical airflow can be determined by working backwards from the free area chart.

## SIZING EXAMPLES:

**Example A:**  
**AIRFLOW GIVEN: DETERMINE LOUVER SIZE**

- Determine required louver free area by dividing AIRFLOW by acceptable FREE AREA VELOCITY. (Use performance charts to assist in selecting Free Area Velocity):  
 $\text{_____ cfm} \div \text{_____ fpm} = \text{_____ sq. ft. Free Area.}$
- Using the Free Area Chart for chosen model; select a louver size with at least the required free area:  
 $\text{_____ wide} \times \text{_____ high} = \text{_____ sq. ft. Free Area.}$

**Example B:**  
**LOUVER SIZE GIVEN: DETERMINE MAXIMUM AIRFLOW**

- Given louver size: \_\_\_\_\_ W x \_\_\_\_\_ H. Use the Free Area Chart for chosen model to determine the area.
- Multiply FREE AREA x acceptable FREE AREA VELOCITY to determine maximum airflow:  
 $\text{_____ sq. ft.} \times \text{_____ fpm} = \text{_____ cfm maximum airflow.}$
- Using the Pressure Drop Chart for chosen model; check the pressure drop at the determined airflow rate and resulting free area velocity.

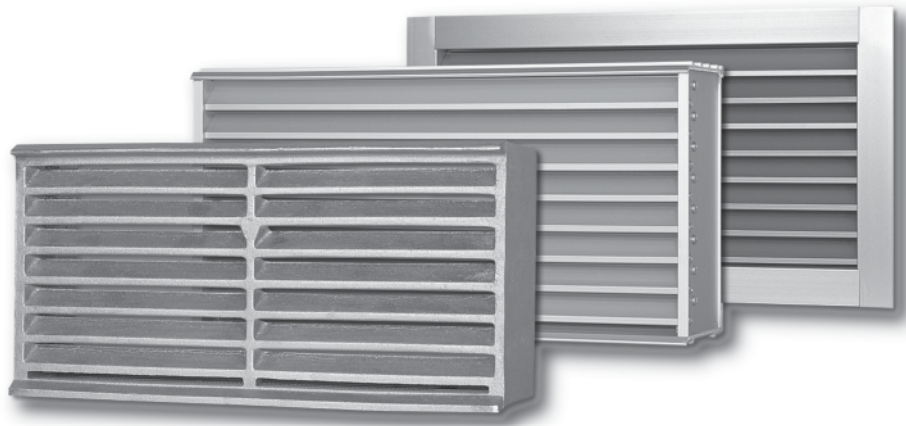
**Note:** To minimize water penetration when sizing intake louvers, select a Free Area Velocity that is below the point of beginning water penetration.

## 'QUICK-SELECT' MODEL GUIDE

Model	Depth	Blade Style/Angle	Free Area Sq. Ft. (Sq. Meters)	Free Area %	Beginning Point of Water Penetration
<b>Extruded Aluminum • Stationary • Non-Drainable • Thinline Frame</b>					
1602J	2" (51)	J/30°	7.14 (0.66)	45%	549 fpm (167 m/min.)
1602K	2" (51)	K/30°	7.55 (0.70)	47%	401 fpm (122 m/min.)
<b>Extruded Aluminum • Stationary • Architectural Blade</b>					
1604J	4" (102)	J/37°	8.62 (0.80)	54%	722 fpm (220 m/min.)
1606J	6" (152)	J/37°	8.13 (0.76)	51%	1029 fpm (314 m/min.)
<b>Extruded Aluminum • Stationary • Drainable Head</b>					
1604JD	4" (102)	J/37°	8.57 (0.80)	54%	961 fpm (293 m/min.)
1606JD	6" (152)	J/37°	7.45 (0.69)	47%	1250 fpm (381 m/min.)
1604KD	4" (102)	K/37°	7.51 (0.70)	47%	892 fpm (272 m/min.)
1606KD	6" (152)	K/37°	7.93 (0.74)	50%	1017 fpm (310 m/min.)
<b>Extruded Aluminum • Stationary • Drainable Head &amp; Drainable Blade</b>					
1602D	2" (51)	Drainable/45°	6.91 (0.64)	43%	1123 fpm (342 m/min.)
1604D	4" (102)	Drainable/37°	8.26 (0.77)	52%	906 fpm (272 m/min.)
1606D	6" (152)	Drainable/37°/45°	7.99 (0.74)	50%	1195 fpm (364 m/min.)
1604DD	4" (102)	Dual Drainable/37°	8.14 (0.76)	51%	1000 fpm (305 m/min.)
1606DD	6" (152)	Dual Drainable/37°	7.92 (0.74)	50%	1193 fpm (364 m/min.)
<b>Extruded Aluminum • Stationary • Wind-Driven Rain Resistant</b>					
1605WD	5" (127)	Drainable/30°	8.64 (0.80)	54%	1025 fpm (313 m/min.)
<b>Extruded Aluminum • Adjustable • Drainable Blade</b>					
1604AD	4" (102)	Adjustable, Drainable/37 1/2°	7.10 (0.66)	44%	953 fpm (290 m/min.)
1606AD	6" (152)	Adjustable, Drainable/37 1/2°	8.15 (0.76)	51%	970 fpm (296 m/min.)
<b>Extruded Aluminum • Combination Louver/Damper • Drainable Blade</b>					
1606CDAF	6" (152)	Airfoil, Drainable/45°	6.89 (0.64)	43%	1142 fpm (348 m/min.)
<b>Extruded Aluminum • Stationary • Sightproof</b>					
1604Y	4" (102)	Inverted Y/45°	4.67 (0.43)	29%	—
<b>Formed Aluminum (or Steel) • Acoustical</b>					
1612QS	12" (305)	Insulated, J Sightproof/45°	4.72 (0.44)	30%	826 fpm (252 m/min.)
<b>Formed Steel • Stationary • Architectural Blade</b>					
1704J	4" (102)	J/45°	8.53 (0.79)	53%	869 fpm (265 m/min.)
1706J	6" (152)	J/45°	8.53 (0.79)	53%	938 fpm (286 m/min.)
<b>Formed Steel • Stationary • Drainable Head</b>					
1704JD	4" (102)	J/45°	8.38 (0.78)	52%	1123 fpm (342 m/min.)
1706JD	6" (152)	J/45°	7.85 (0.73)	49%	1250 fpm (381 m/min.)
<b>Formed Steel • Stationary • Drainable Blade</b>					
1704D	4" (102)	Drainable/45°	8.44 (0.78)	53%	976 fpm (298 m/min.)
1706D	6" (152)	Drainable/45°	8.02 (0.75)	50%	1250 fpm (381 m/min.)
1704DHP	4" (102)	Drainable/37 1/2°	8.55 (0.79)	53%	896 fpm (273 m/min.)
1706DHP	6" (152)	Drainable/37 1/2°	9.05 (0.84)	56%	988 fpm (301 m/min.)
<b>Formed Steel • Adjustable • Drainable Blade</b>					
1704AD	4" (102)	Adjustable, Drainable/37 1/2°	8.03 (0.75)	50%	991 fpm (302 m/min.)
1706AD	6" (152)	Adjustable, Drainable/37 1/2°	8.80 (0.82)	55%	977 fpm (298 m/min.)

- Dimensions are in inches (mm).
- Free Area shown are for 48" x 48" (1219 x 1219).
- Beginning point of Water Penetration: 0.01 oz./sq. ft. (3 ml/sq. m), 15 minute test duration.

- HEAVY DUTY CONSTRUCTION
- CAST OR EXTRUDED ALUMINUM
- EXCELLENT WEATHER PROTECTION
- VANDALISM RESISTANT
- SUITABLE FOR LOAD BEARING APPLICATIONS



Models 16BVC, 16BVE and 16BVF

**Models:**

- 16BVC Cast Aluminum**
- 16BVE Extruded Aluminum**
- 16BVF Extruded Aluminum with Flange**

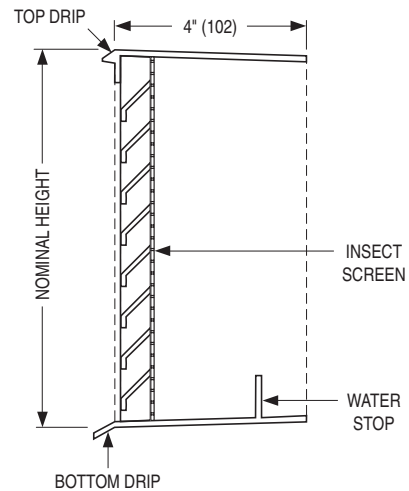
Nailor 16BV Series Brick Vents provide a permanent, secure means of ventilating foundations, crawl spaces and other utility areas. All models, designed with a louvered face, incorporate a rear water stop and full width weepage openings for minimal water penetration during severe weather. High corrosion resistant alloy cast or quality extruded aluminum construction resists potential damage due to vandalism, allowing for installation in accessible exterior areas. Suitable for load bearing applications, ideal for new construction. Standard insect screen prevents unwanted pests from entering through the vent.

**Model 16BVC**

Model 16BVC features corrosion resistant cast aluminum construction that is suitable for load bearing applications, ideal for new construction. Deep louvered blades exhibit a minimum 39% free area and provide for minimal through-viewing. A rear water stop minimizes water penetration, and top and bottom drips prevent water from staining brick.

**STANDARD CONSTRUCTION:**

- Frame:** 4" (102) deep, #319 cast aluminum, minimum .125" (3) thickness.
- Blades:** #319 cast aluminum, minimum .125" (3) thickness, with cast face mullions on 8" (203) centers.
- Screen:** 7 x 7 aluminum mesh insect screen.
- Finish:** Mill. Optional finishes are available.
- Standard Sizes:** Width x Height
  - 8" x 2 1/4" (203 x 57)
  - 8 1/4" x 4 15/16" (210 x 125)
  - 8" x 7 7/8" (203 x 200)
  - 12" x 2 3/4" (305 x 70)
  - 12" x 3 1/2" (305 x 89)
  - 12" x 5" (305 x 127)
  - 12" x 7 3/4" (305 x 197)
  - 16 1/2" x 2 3/8" (419 x 60)
  - 16" x 4" (406 x 102)
  - 16" x 4 15/16" (406 x 125)
  - 16" x 6" (406 x 152)
  - 16" x 7 3/4" (406 x 197)



**MODEL 16BVC**

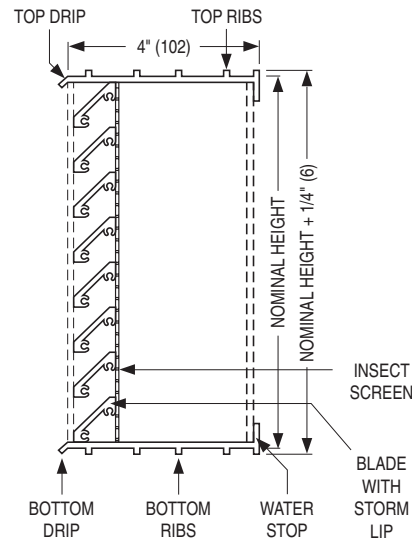
## Model 16BVE

Model 16BVE features corrosion resistant extruded aluminum construction with top and bottom mortar ribs, ideal for new construction. Overlapping blades with storm lip exhibit a 35% free area and, combined with a rear frame water stop, minimize water penetration. Integral top and bottom drips prevent water from staining brick.

### STANDARD CONSTRUCTION:

- Frame:** 4" (102) deep, Type 6063-T5 extruded aluminum, .125" (3.18) nominal wall thickness. Integral top and bottom mortar ribs.
- Blades:** 1" (25) deep on 1" (25) centers, Type 6063-T5 extruded aluminum, .125" (3.18) nominal wall thickness, fixed at 45 degrees, with integral storm lip.
- Screen:** 18" x 14" (457 x 356) mesh aluminum insect screen.
- Finish:** 204-R1 clear anodized finish. Optional finishes are available.
- Standard Size:** Width x Height  
See below. Non-standard sizes are also available.

Note: For Model 16BVE, **heights** shown below do not include top and bottom mortar ribs (add 1/4" [6]).



**MODEL 16BVE**

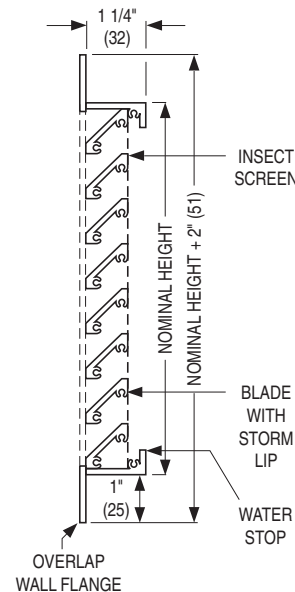
## Model 16BVF

Model 16BVF features corrosion resistant extruded aluminum construction with a flanged frame that is ideal for use in renovations or existing openings. The 1" (25) flange provides an attractive finished appearance that conceals any rough edges in the opening. Overlapping blades with storm lip exhibit a 35% free area and, combined with a rear frame water stop, minimize water penetration.

### STANDARD CONSTRUCTION:

- Frame:** 1 1/4" (32) deep, with integral 1" (25) flange, Type 6063-T5 extruded aluminum, .125" (3.18) nominal wall thickness.
- Blades:** 1" (25) deep on 1" (25) centers, Type 6063-T5 extruded aluminum, .125" (3.18) nominal wall thickness, fixed at 45 degrees, with integral storm lip.
- Screen:** 18" x 14" (457 x 356) mesh aluminum insect screen.
- Finish:** 204-R1 clear anodized finish. Optional finishes are available.
- Standard Size:** Width x Height  
See below. Non-standard sizes are also available.

Note: For Model 16BVF, **widths** shown below do not include blade fasteners (add 1/4" [6]).



**MODEL 16BVF**

### Models 16BVE & 16BVF Standard Sizes (Width x Height):

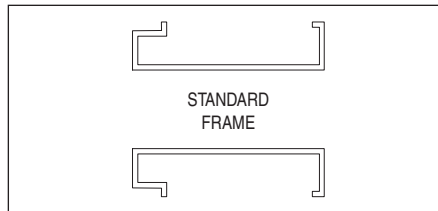
8 1/8" x 2 3/8" (206 x 60)	12" x 7 3/4" (305 x 197)	16 1/2" x 2 3/8" (419 x 60)	24" x 4 3/4" (610 x 121)
8 1/8" x 4 3/4" (206 x 121)	12" x 11 3/4" (305 x 298)	16 1/2" x 4 3/4" (419 x 121)	24" x 7 3/4" (610 x 197)
8 1/8" x 7 3/4" (206 x 197)	15 5/8" x 7 3/4" (397 x 197)	16 1/2" x 7 3/4" (419 x 197)	32" x 7 3/4" (813 x 197)
12" x 4 3/4" (305 x 121)	15 5/8" x 15 3/4" (397 x 400)	16 1/2" x 15 3/4" (419 x 400)	48" x 7 3/4" (1219 x 197)

## Options and Accessories

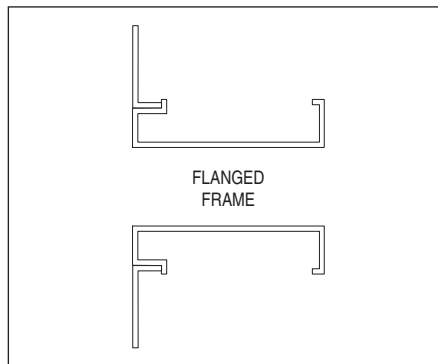
Nailor extruded aluminum and formed steel louvers are available with a variety of options and accessories to suit design specific applications. Selecting the proper accessories and options can save time and labor as well as enhance the visual aesthetics of a louver. Contact your Nailor representative for more information on Nailor custom louver manufacturing capabilities and additional features for your job specific requirements.

### FRAME OPTIONS:

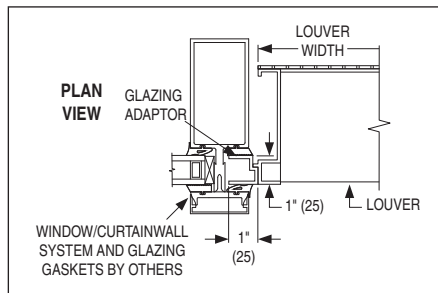
OPTION CODE **CH**  
STANDARD CHANNEL FRAME



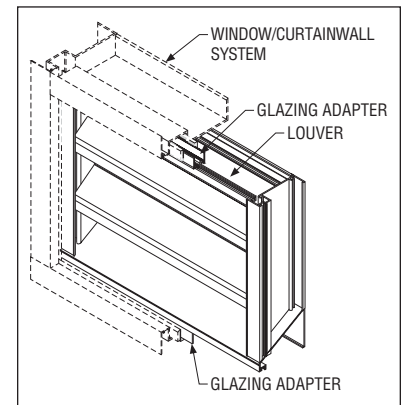
OPTION CODE **FL**  
FLANGED FRAME



OPTION CODE **GA**  
GLAZING ADAPTOR (SIDE VIEW)

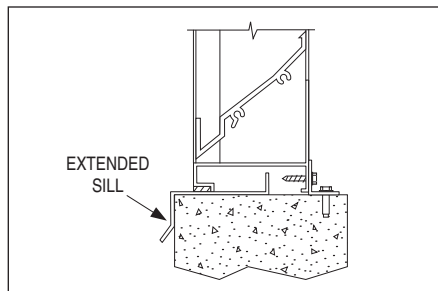


All Nailor extruded aluminum and formed steel louver models come standard with channel type frames and are available with an optional flanged frame. Nailor 2", 4", 5" and 6" (51, 102, 127 and 152) deep extruded aluminum louvers are also available with an optional glazing adaptor frame for easy installation into windows or curtain wall systems. When ordered, the flanged and glazing adaptor type frames are factory mounted using mechanical fasteners.



### EXTENDED SILL:

OPTION CODE **ESI**  
EXTENDED SILL



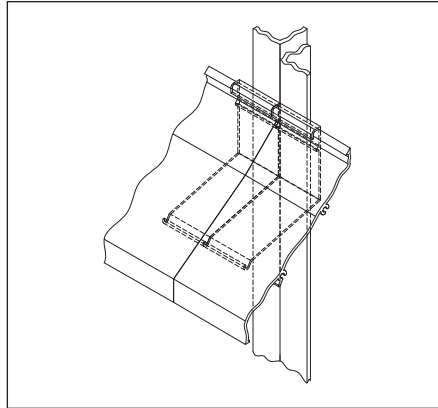
Sill extensions are available on all Nailor extruded aluminum and formed steel louver models and can provide additional deflection of water away from the louver opening. An extended sill option may also provide a transition between the louver and adjacent structures. The material and finish of the sill extension will match the frame and blades of the louver. When ordered, sill extensions are shipped loose for field installation.

**Note: All louver options are available at an additional cost.**

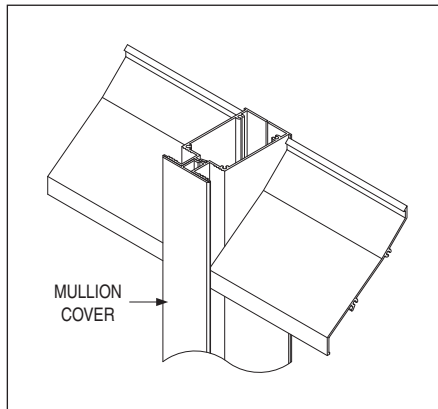
## Options and Accessories

### MULLION TYPES:

ARCHITECTURAL CONCEALED MULLION DETAIL



VISIBLE MULLION DETAIL



Architectural Concealed Mullions are available on all Nailor stationary non-drainable aluminum louvers, providing a continuous blade appearance without size limitations. Mullions are constructed of the same material as the louver.

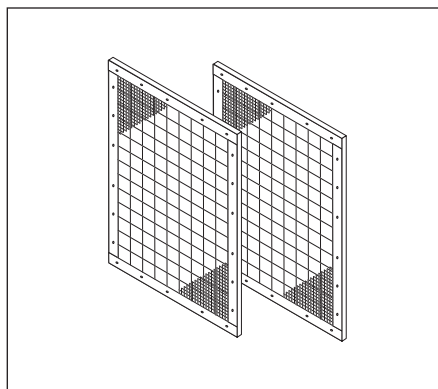
Nailor stationary and adjustable/combination drainable blade louvers feature concealed mullions up to 120" (3048) wide, with larger assemblies requiring separate visible frames with downspouts. Visible Mullions are provided with a Mullion Cover to enhance the architectural appearance of the louver. Mullions are constructed of the same material as the louver and finished to match.

### FALSE MULLIONS

False mullions, an architectural feature simulating a mullion, are also available where required visually. They may be shipped loose for mounting to the louver at the installation site, or can be an integral extension of the louver frame, factory mounted. Mullions are constructed of the same material as the louver and finished to match.

### SCREEN TYPES:

OPTION CODE **BSG**  
 BIRD SCREEN - GALV. STEEL (D)  
 OPTION CODE **BSA**  
 BIRD SCREEN - ALUMINUM  
 OPTION CODE **BSSS**  
 BIRD SCREEN - TYPE 304 STAINLESS STEEL  
 OPTION CODE **BSN**  
 BIRD SCREEN - NONE  
 OPTION CODE **00**  
 INSECT SCREEN - NONE (DEFAULT)  
 OPTION CODE **ISA**  
 INSECT SCREEN - ALUMINUM  
 OPTION CODE **ISSS**  
 BIRD SCREEN - TYPE 304 STAINLESS STEEL



Bird and Insect screens prevent the passage of undesirable elements through the louver while maintaining maximum airflow. All Nailor louvers come standard with a bird screen, either 3/4" x .051 (19 x 1.3) wire expanded and flattened aluminum or 1/2" mesh x 19 ga. (13 x 1.1) wire galvanized, dependent on louver construction, unless ordered otherwise. A variety of screen options are available to suit most applications: 1/2" mesh x 18 ga. (13 x 1.3) wire Type 304 stainless steel bird screens, 18 - 16 mesh, .011 (.30) wire aluminum insect screens and 18 - 16 mesh 0.11" (.30) wire Type 304 stainless steel insect screens may be ordered for all louver types.

**Options and Accessories**

**WELDED CONSTRUCTION:**

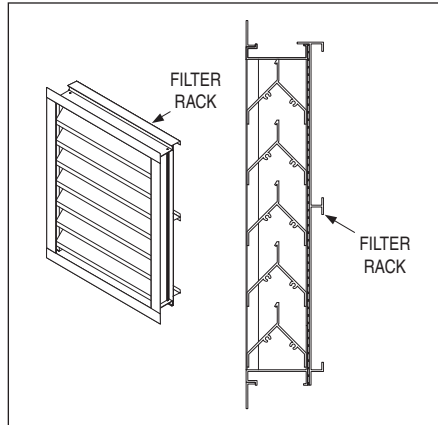
OPTION CODE **WE**

All Nailor louvers are mechanically fastened to provide a clean visual appearance when painted or anodized. Optional welded construction is available on all Nailor stationary louvers for applications that may be subject to vibration damage, i.e. when located in proximity to an air handler. Welded construction is not available when anodized finish is ordered.

**FILTER RACK:**

OPTION CODE **FR1**  
1" (25) FILTER RACK

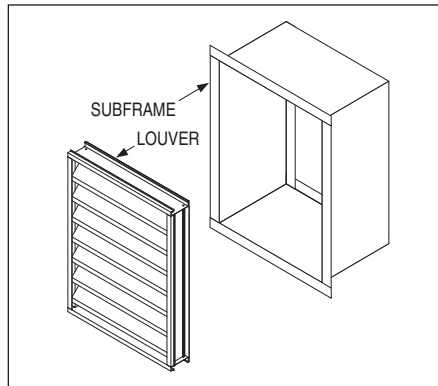
OPTION CODE **FR2**  
2" (51) FILTER RACK



For applications where air filtration is required, Nailor offers 1" (25) or 2" (51) filter racks for standard filters, filters by others. Filters are easily accessible with a slide and lock in style design for quick service. Filter racks are constructed of the same material as the louver and factory installed with mechanical fasteners. All Nailor louvers are available with optional filter racks. Consult your Nailor representative for specific details and dimensional drawings for specific louver applications.

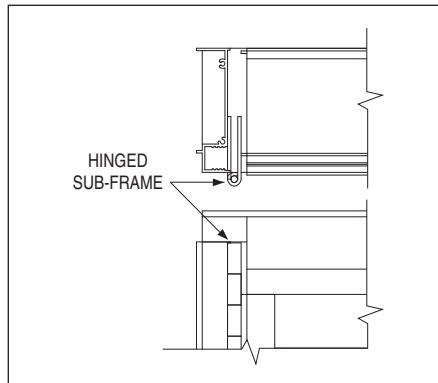
**CHANNEL SUB-FRAME AND HINGES:**

OPTION CODE **CSUB**  
CHANNEL SUB-FRAME



Sub-frames are used as an auxiliary frame around a louver and by adding additional hardware you can enable a louver to be removable, hinged, latched, and for certain applications, restrained. All Nailor extruded aluminum stationary louvers are available with optional channel sub-frames; contact your Nailor representative for sub-frame requirements for steel stationary louvers.

OPTION CODE **HB**  
HINGED BOTTOM  
OPTION CODE **HL**  
HINGED LEFT  
OPTION CODE **HR**  
HINGED RIGHT  
OPTION CODE **HT**  
HINGED TOP



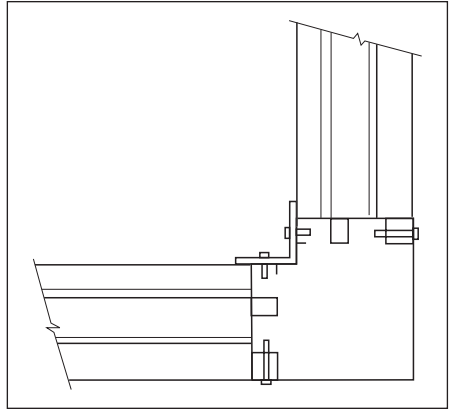
Some applications require access behind a louver for service and maintenance of other system components. When ordered with a channel sub-frame, hinges allow a louver to become an access door, providing easy access behind the louver. Hinges are available on top, bottom, and left or right orientations. Standard piano style hinges are factory mounted when ordered. All Nailor extruded aluminum stationary louvers are available with optional hinges; contact your Nailor representative for hinge requirements for steel stationary louvers.



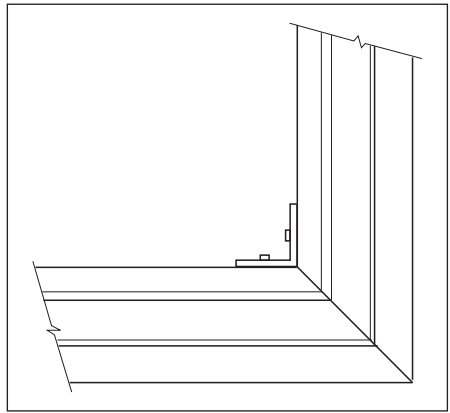
**Options and Accessories**

**CORNER CONSTRUCTION:**

OPTION CODE **SBCC**  
BOX CORNER DETAIL



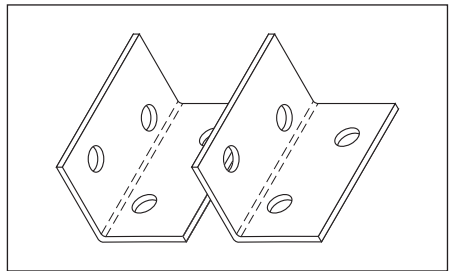
OPTION CODE **SMCC**  
MITERED CORNER DETAIL



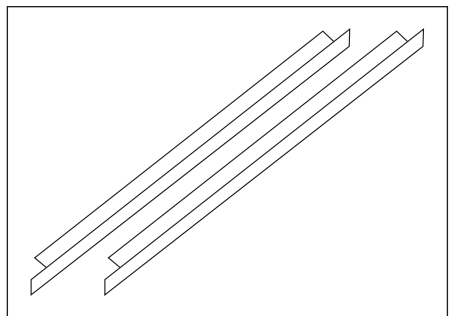
Louvers that follow the architectural line of a building's exterior around a corner may have either mitered or boxed corners, depending on the blade style of the louver selected. All Nailor extruded aluminum stationary J and K non-drainable louvers are available with optional mitered corners providing a desirable continuous look, and all Nailor extruded aluminum stationary drainable louvers are available with optional box corners for corner requirements for steel stationary louvers.

**INSTALLATION ANGLES:**

OPTION CODE **PACA**  
MOUNTING CLIPS



OPTION CODE **PAAA**  
CONTINUOUS ANGLES



Mounting clips and continuous angles are utilized to anchor a louver to an opening and provide a clean, easy, and speedy installation. When ordered, mounting clips and continuous angles are shipped loose for field assembly. All Nailor extruded aluminum stationary louvers are available with optional mounting clips and continuous angles; contact your Nailor representative for installation angle and mounting clip requirements for steel stationary louvers.

## Options and Accessories

### BLANK-OFF PANELS:

**OPTION CODE BA**

.040" ALUMINUM

**OPTION CODE BAI1**

.040" ALUMINUM W/1" (25) INSUL.

**OPTION CODE BAI2**

.040" ALUMINUM W/2" (51) INSUL.

**OPTION CODE BG**

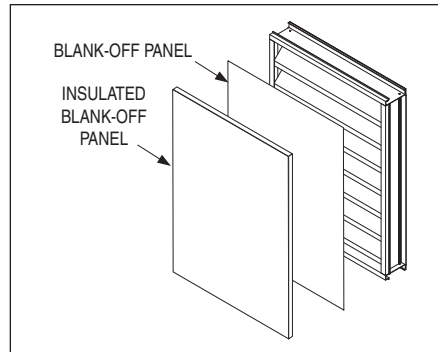
20 GA. GALVANIZED STEEL

**OPTION CODE BGI1**

20 GA. GALVANIZED STEEL WITH  
1" (25) INSULATION

**OPTION CODE BGI2**

20 GA. GALVANIZED STEEL WITH  
2" (51) INSULATION



Certain louver applications may require that the airflow be controlled with a blank-off panel while still maintaining the louver's architectural appearance and aesthetic appeal. Blank-off panels can be a plain sheet of either galvanized steel or aluminum or a sandwich type panel in which 1" (25) or 2" (51) insulation attached. All Nailor extruded aluminum stationary louvers are available with blank-off panels; contact your Nailor representative Industries for blank-off panel requirements for steel stationary louvers.

### SLEEVE TYPES:

**OPTION CODE S304**

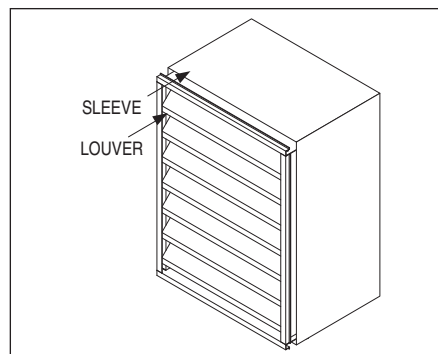
TYPE 304 STAINLESS STEEL

**OPTION CODE SALV**

ALUMINUM

**OPTION CODE SGLV**

GALVANIZED STEEL

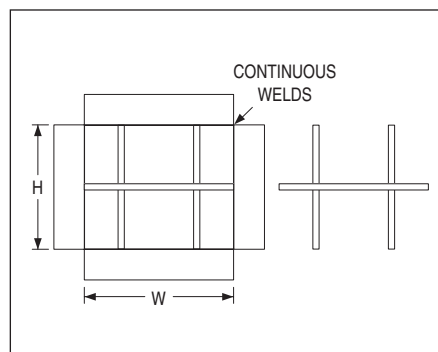


A factory installed louver sleeve allows the units to ship directly to jobsite ready for installation, saving time, money and costly field fabrication and mounting, as well as helping to ensure proper installation. Sleeves are available in a variety of construction and thickness: Galvanized steel sleeve (20 ga. [1.0], 18 ga. [1.3], 16 ga. [1.6], 14 ga. [2.0], 12 ga. [2.7] or 10 ga. [3.5]), Aluminum sleeve (16 ga. [1.6], 14 ga. [2.0], 10 ga. [3.5]) or Type 304 stainless steel sleeve (20 ga. [1.0], 18 ga. [1.3], 16 ga. [1.6], 14 ga. [2.0], 12 ga. [2.7] or 10 ga. [3.5]). All Nailor louvers are available with factory installed sleeves.

### SECURITY BARS:

**OPTION CODE SECB**

SECURITY BARS



When combined with a sleeve, security bars provide maximum protection for installations where penetration through a wall needs to be secure. Available in a 2" (51) flat steel frame welded continuously at the corners, a variety of bar designs, bar material, construction types and bar spacing is available. Contact your Nailor representative for security bar requirements for all Nailor louvers.

## Available Louver Finishes

Nailor offers 21 standard paint colors for architectural exterior use which meet or exceed AAMA specifications and performance requirements for color retention, chalk resistance, gloss retention, erosion, corrosion and chemical resistance as well as dry film thickness and hardness. Our state-of-the-art powder coat system provides an environment friendly finishing solution with more uniform coverage and coating thickness. The result is an exceptional finish that better resists scratching, fading and general wear. Additional liquid coat facilities for special requirements complete our ability to provide unmatched beauty and durability for any application. Nailor also offers 6 standard anodized finishes. Custom color matching is also available upon request. Contact your local Nailor representative.

**See inside cover for available louver finishes color chart.**

**Note:** Due to the printing process, colors shown approximate as closely as possible to the actual paint colors.

FINISH TYPE:	DESCRIPTION:
--------------	--------------

**Fluoropolymer Powder Coat**

AAMA 2605 - Superior Finish  
(AKA: Powdura® 5000,  
Corafon® Powder,  
Interpon® D3000-Fluoromax)

"Ultimate" - A next generation hyper durable powder coating, based on FEVE fluoropolymer resins and ceramic pigmentation that the industry has acknowledged as the foundation for superior performance coatings. They provide a hard surface that is resistant to scratching and scuffing, with superior color and gloss retention, when applied to a variety of exterior architectural applications. This technology represents the "ultimate" in environmentally friendly finishes, with Zero-VOC emissions.

A new alternative to traditional 70% Kynar 500®/Hylar 5000® PVDF fluoropolymer liquid coatings.

**High Performance Powder Coat**

AAMA 2604 - High Performance Finish  
(AKA: Powdura® 4000,  
Envirocron® Ultra Durable Powder,  
Dynadure™ 400, Interpon® D2000)

"Better" - A high performance polyester powder coating, based on "super durable" resins that utilize infrared reflective pigments, which provides excellent resistance to outdoor weathering. A harder and more environmentally friendly coating than other liquid paint counterparts and with Zero-VOC emissions.

A good alternative to 50% Kynar 500®/Hylar 5000® liquid coatings.

**Durable Powder Coat**

AAMA 2603 - Pigmented Organic Coatings  
(AKA: Powdura® 3000,  
Envirocron® Durable Powder,  
Dynadure™ 300, Interpon® D1000)

"Good" - A durable powder coat based on thermosetting polyester resin technology. Provides a good economical combination of physical and chemical resistance properties. Environmentally superior to liquid spray paints and Zero - VOC emissions.

**Clear Anodize 215-R1**

AA-M10C22A41 (0.7 mil. min.)

Architectural Class I. Clear, colorless and hard oxide aluminum coating that resists weathering and chemical attack. Recommended for severely corrosive and abrasive atmospheric exposure.

**Clear Anodize 204-R1**

AA-M10C22A31 (0.4 - 0.7 mil.)

Architectural Class II. Clear, colorless and hard oxide aluminum coating that resists weathering and chemical attack. Recommended for normal weather exposure.

**Color Anodize**

AA-M10C22A44 (0.7 mil. min.)

Architectural Class I. "Two-step" aluminum coating process. Following a standard anodizing procedure, a second electrolytic process deposits colored metallic pigments which penetrate the aluminum oxide pores, producing a corrosion resistant, colorfast finish. Available in light, medium, dark bronze and black.

**Prime Coat**

Prime coat provides a stable base for painting of louvers in the field. Surface pretreatment includes degreasing and a chemical cleaning before an epoxy prime coat is applied. Finish coat should be field applied as soon as possible for best adhesion, after a thorough cleaning for dust etc. that can contaminate the final finish and cause premature flaking or peeling.

Contact your local representative for Color Guide and paint warranty information. Paint finish warranties are not applicable to steel products. Powdura® is a registered trademark of The Sherwin-Williams Company. Corafon® and Envirocron® are registered trademarks of PPG Industries Ohio, Inc. Interpon® is a registered trademark of Akzo Nobel Powder Coatings Ltd. Kynar 500® is a registered trademark of Arkema, Inc. Hylar 5000® is a registered trademark of Solvay Solexis, Inc.



Slate Blue LF01



Medium Bronze LF02



Sandstone LF03



Light Gray LF04



Charcoal LF05



Bone White LF06



Western Tan LF07



Architectural Bronze LF08



Legal Blue LF09



Forest Green LF10



Surrey Beige LF11



Royal Brown LF12



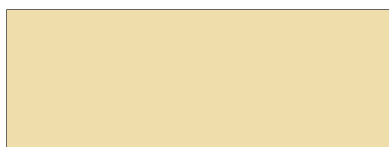
Barn Red LF13



Burgundy LF14



Clay LF15



Almond LF16



Coastal White LF17



Vista Green LF18



Black LF19



Gloss Black LF20



Campus Green LF21

Nailor offers 21 standard paint colors selected for architectural exterior use which meet or exceed AAMA specifications and performance requirements for color retention, chalk resistance, gloss retention, erosion, corrosion and chemical resistance as well as dry film thickness and hardness. Our state-of-the-art powder coat system provides an environment friendly finishing solution with more uniform coverage and coating thickness. The result is an exceptional finish that better resists scratching, fading and general wear. Additional liquid coat facilities for special requirements complete our ability to provide unmatched beauty and durability for any application.

Custom color matching is also available upon request. Contact your local Nailor representative.

**Note:** Due to the printing process, colors shown approximate as closely as possible to the actual paint colors.