

GENERAL PRODUCT OVERVIEW

PLENUM SLOT AND LIGHT TROFFER DIFFUSERS

The Plenum Slot Ceiling Diffusers and Light Troffer Diffusers have been developed for an extremely unobtrusive method of air distribution. Nailor offers various types of this very discreet, cost effective, air distribution product. The Plenum Slot Diffusers are for use in suspended ceiling grid systems and are offered in four distinctive performance styles. The Light Troffer Diffusers are available in many standard sizes and can be custom built to suit most types of air handling light fixtures.

PLENUM SLOT DIFFUSERS

The Nailor line of Plenum Slot Diffusers have been designed to integrate and blend with T-Bar suspended grid systems. They are available for Standard Lay-in T-Bar systems as well as the Narrow Regressed T-Bar systems. Four different styles are available in a wide range of sizes and capacities for an optimum combination of application flexibility, and performance requirements. All models are available with external foil back or internal insulation. Matching return air diffusers are available for all models.

ADJUSTABLE 'WIPER BLADE' PATTERN CONTROLLER

SUPPLY AIR

This series features a friction pivoted, adjustable, extruded aluminum pattern controller in each slot. The pattern controller has a gasketed 'wiper blade' design. The direction of the airflow can be adjusted a full 180° from the face of the diffuser. This diffuser is available in 1 1/2" (38), 1" (25), and 3/4" (19) slot widths. Suffix 'I' adds internal insulation.

Standard Lay-in T-Bar –

Model Series 5700, 5700I

Narrow Regressed T-Bar –

Model Series 5700(I)-F, 5700(I)-F2

Page C6

Page C8



Models 5710 and 5715-F

ADJUSTABLE 'ICE TONG' PATTERN CONTROLLER

SUPPLY AIR

This series features a friction pivoted, adjustable, extruded aluminum pattern controller in each slot. The pattern controller has a gasketed 'ice tong' design. The direction of the airflow can be adjusted a full 180° from the face of the diffuser. This diffuser is available in 1 1/2" (38), 1" (25), 3/4" (19) and 1/2" (13) slot widths. Suffix 'I' adds internal insulation.

Standard Lay-in T-Bar –

Model Series 5800, 5800I

Narrow Regressed T-Bar –

Model Series 5800(I)-F, 5800(I)-F2

Page C23

Page C25



Models 5810 and 5810-F2

CURVED BLADE 'FLIP FLOP' PATTERN CONTROLLER

SUPPLY AIR

This series features a roll-formed curved blade pattern controller in each slot. Aerodynamically designed to produce a fixed horizontal discharge pattern, the controller is pivoted at either end and may be simply rotated with fingers from the face for either a left or right discharge direction. This diffuser is available with a 3/4" (19) slot width, and with a choice of 1, 2, 3 or 4 parallel slots. Suffix 'I' adds internal insulation.

Standard Lay-in T-Bar –

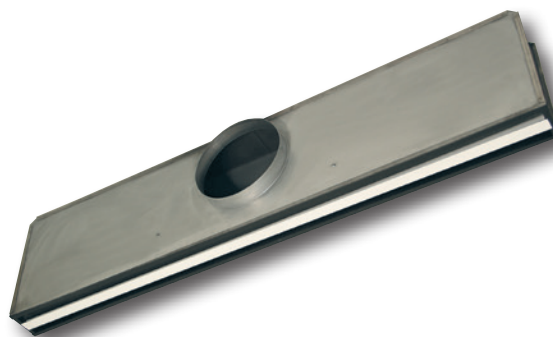
Model Series 5600, 5600I

Narrow Regressed T-Bar –

Model Series 5600(I)-F

Page C46

Page C48



Model 5675

RETURN AIR PLENUMS FOR 5800, 5700 AND 5600 SERIES

This series of return air plenums are designed to match and complement their supply air counterpart. The plenums are for ductless return and include a light shield. Where required, extruded aluminum center tees will be used. Suffix 'I' adds internal insulation.

Model Series –

5700R(I), 5800R(I), 5600R(I)
 5700R(I)-F, 5800R(I)-F
 5700R(I)-F2, 5800R(I)-F2

Page C54
Page C56
Page C56



Models 5675R, 5810R-F and 5775R-F2

PLENUM SLOT AND LIGHT TROFFER DIFFUSERS



Model 59ND

**N SERIES
 PREMIUM PERFORMANCE
 SUPPLY AIR**

This supply diffuser has a 3/4" (19) slot that incorporates an extruded aluminum pattern controller for a fixed horizontal discharge pattern. This plenum is also available with a down-blow section that incorporates two hinged pattern controllers to provide a vertical discharge pattern in addition to the horizontal discharge pattern. Suffix 'I' adds internal insulation.

Horizontal Discharge –
 Models 59N, 59NI

Page C64

Horizontal/Vertical Discharge –
 Models 59ND, 59NDI

Page C64

**N SERIES
 PREMIUM PERFORMANCE
 SUPPLY/RETURN AIR**

The plenum slot diffusers in this series combines a return air plenum attached to the side of the N Series Horizontal Discharge plenum or the combination Horizontal/Vertical Discharge plenum diffuser offered in the same series. Suffix 'I' adds internal insulation.

Horizontal Discharge –
 Models 59NR, 59NRI

Page C64

Horizontal/Vertical Discharge –
 Models 59NDR, 59NDRI

Page C64



Model 59NDR

**BS SERIES
 PREMIUM PERFORMANCE
 ADJUSTABLE VERTICAL DISCHARGE**

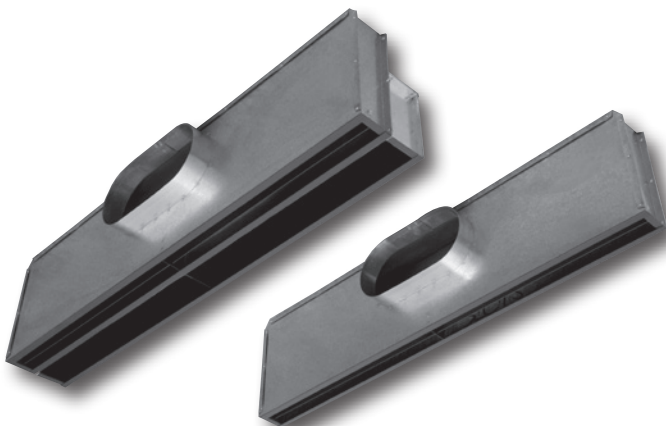
The plenum slot diffuser in this series provides premium performance in curtain wall applications. Available in both supply and supply/return models. Suffix 'I' adds internal insulation.

Model Series – Supply
 59BS(I)

Page C74

Model Series – Supply/Return
 59BSR(I)

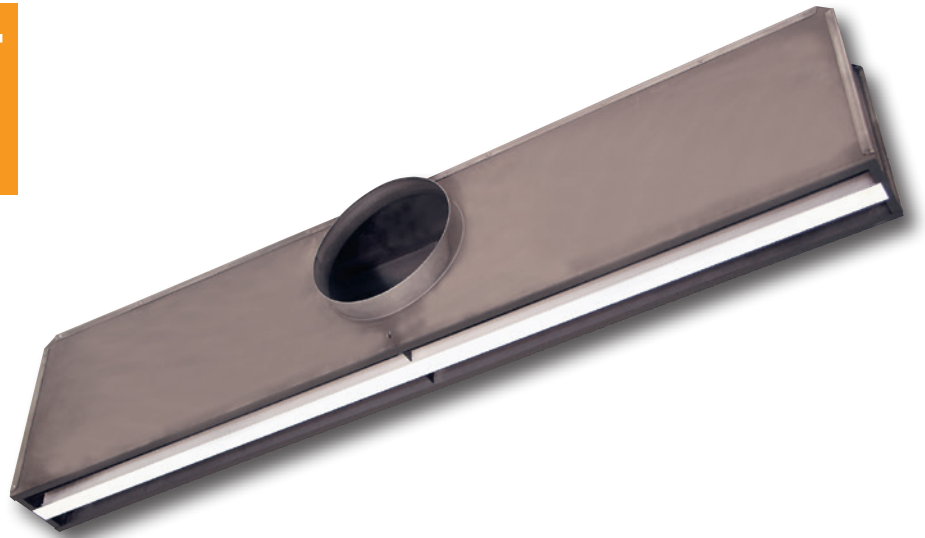
Page C74



Models 59BSR and 59BS

ADJUSTABLE 'WIPER BLADE' PATTERN CONTROLLER

- FOR STANDARD LAY-IN T-BAR SUPPLY



Model 5710

Uninsulated Models:

- 5775 3/4" (19) Slot Width
- 5710 1" (25) Slot Width
- 5715 1 1/2" (38) Slot Width

Insulated Models:

- 5775I 3/4" (19) Slot Width
- 5710I 1" (25) Slot Width
- 5715I 1 1/2" (38) Slot Width

Model Series 5700 Plenum Slot Ceiling Diffusers have been designed for standard Lay-in T-Bar ceiling grid applications. They integrate and blend with the suspended grid, thus offering an extremely unobtrusive method of air distribution. Available in a wide range of sizes and capacities, the 5700 Series design offers the optimum combination of application flexibility, high performance and low cost.

Model Series 5700 features a friction pivoted adjustable extruded aluminum pattern controller in each slot. A key feature is the gasketed 'wiper blade' design. The direction of airflow is adjustable through a full 180° from the face of the diffuser. In the horizontal discharge setting, either left or right, the gasket seal at the top of the blade seals tightly against the inside of the diffuser plenum casing or factory supplied center T-Bar, assuring positive directional control. The pattern controller may also be set for vertical discharge.

In the horizontal discharge setting, the coanda effect is maximized and a tight blanket of air is projected across the ceiling. The horizontal pattern is maintained throughout a wide range of cataloged air volumes from maximum to minimum flow and the 5700 Series therefore provides excellent performance in variable air volume applications.

STANDARD FEATURES:

- Full 180° pattern controller adjustment means there are no 'lefts or rights'.
- Available in 20", 24", 30", 36", 48" and 60" (500, 600, 750, 900, 1200 and 1500 mm) nominal lengths to suit both imperial and metric ceiling systems.
- Choice of three slot widths.
- Choice of 1, 2, 3 or 4 parallel slots.
- Standard unit is 11" (279) in height.

- Factory installed center T-Bars on multi-slot models are standard. They are dropped slightly below the diffuser face to align flush with the ceiling grid.
- Pattern controller is split mid-way on units 36" (900 mm) and longer. This permits a 2-way opposite blow pattern from a single slot.

CONSTRUCTION MATERIAL:

Corrosion-resistant steel plenum, extruded aluminum pattern controllers and center T-Bars.

FINISH OPTIONS:

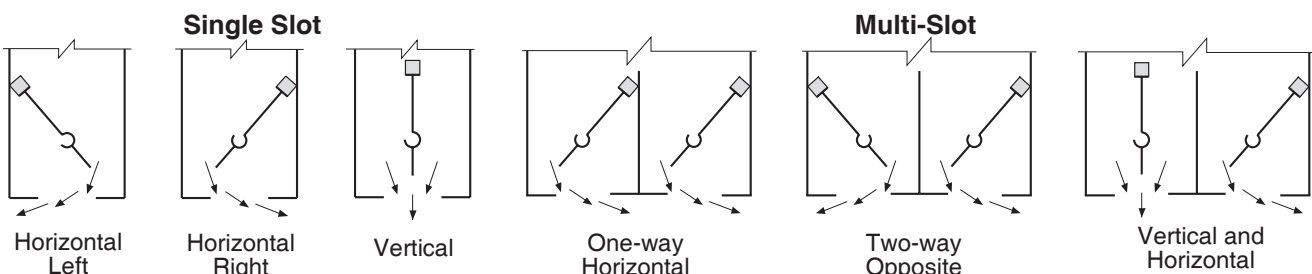
Black on pattern controllers and exposed surfaces. AW Appliance White on center T-Bars.

OPTIONS AND ACCESSORIES:

- Internal insulation (add suffix 'I' to model number).
- EIC Extended Inlet Collar (2.25" [57]) with bead.
- EQT Earthquake Tabs.
- For additional options and accessories, see page C61.

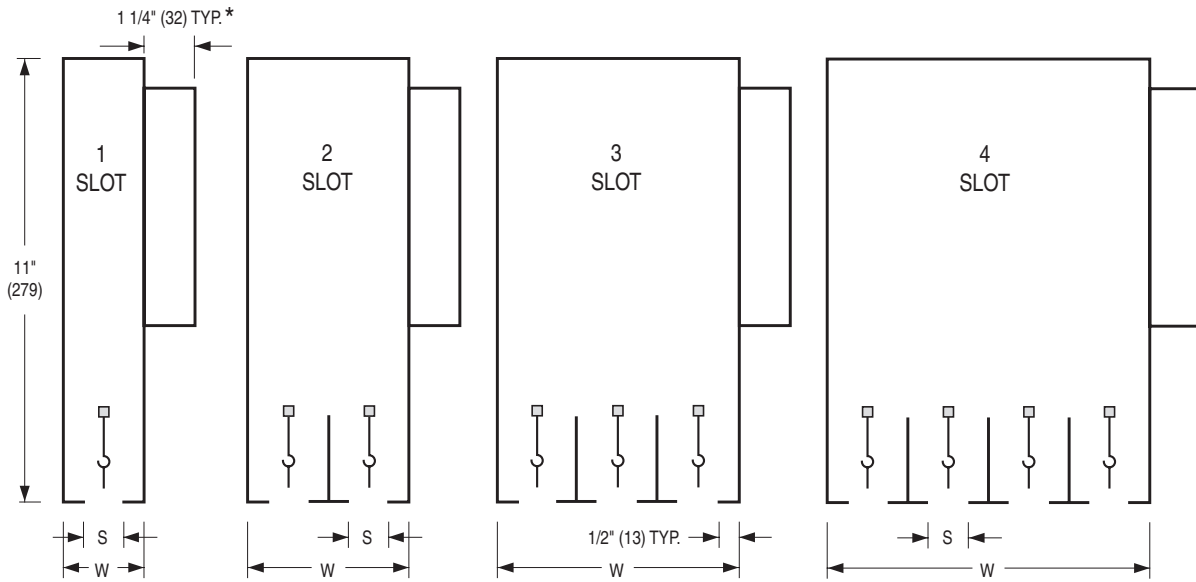
PLENUM SLOT AND LIGHT TROFFER DIFFUSERS

Air Patterns



DIMENSIONAL DATA:

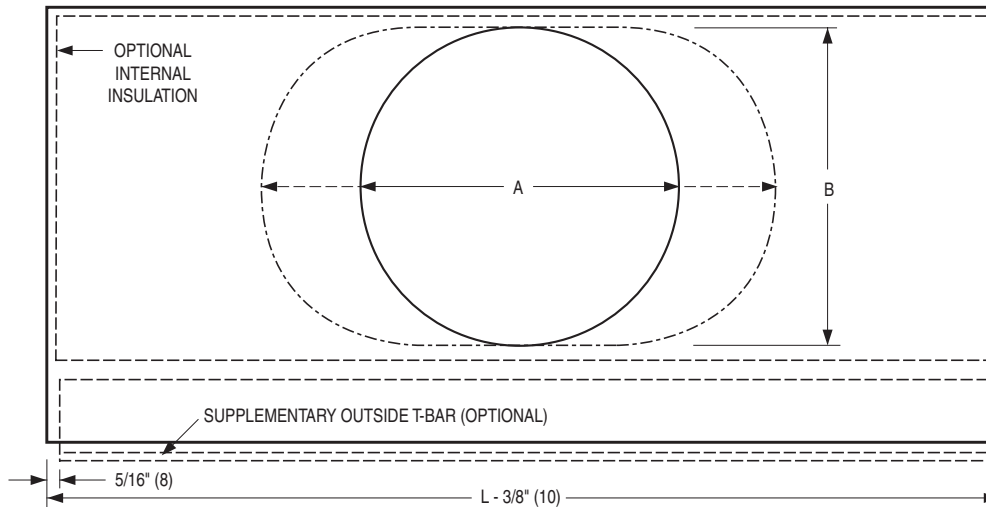
MODEL SERIES: 5700 • STANDARD LAY-IN T-BAR MODELS



* 4" (102) WITH OPTIONAL ID INLET DAMPER

		S Slot Width		
		3/4" (19)	1" (25)	1 1/2" (38)
W Width	1 Slot	1 3/4" (44)	2" (51)	2 1/2" (64)
	2 Slot	3 1/2" (89)	4" (102)	5" (127)
	3 Slot	5 1/4" (133)	6" (152)	7 1/2" (191)
	4 Slot	7" (178)	8" (203)	10" (254)

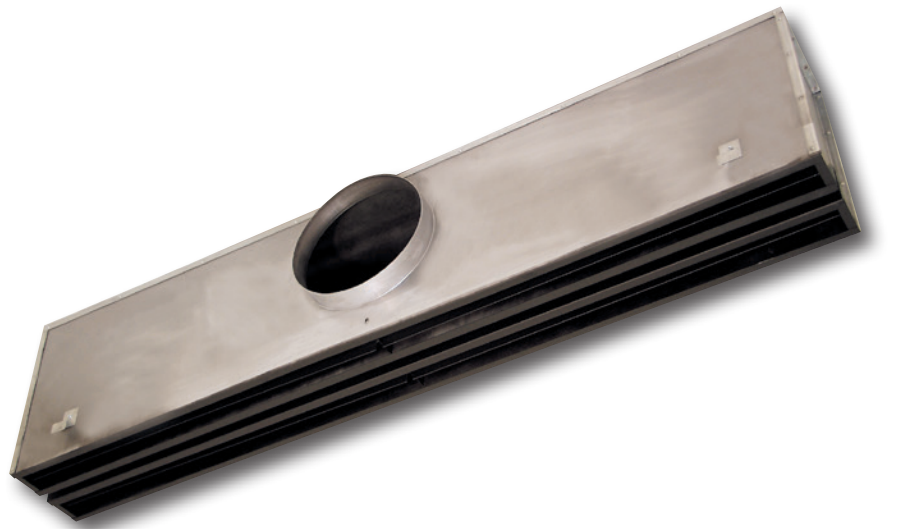
	Nominal Inlet Size			
	6" (152) Round	8" (203) Round	10" (254) Oval	12" (305) Oval
A	5 7/8" (149)	7 7/8" (200)	11" (279)	14 1/8" (359)
B	—	—	7 7/8" (200)	7 7/8" (200)



Nominal Length L	
Imperial Modules Inches (mm)	Metric Modules (mm)
20" (508)	500
24" (610)	600
30" (762)	750
36" (914)	900
48" (1219)	1200
60" (1524)	1500

ADJUSTABLE 'WIPER BLADE' PATTERN CONTROLLER

- FOR NARROW REGRESSED T-BAR SUPPLY



Model 5715-F

Straddle Mount Models:

- 5775(I)-F 3/4" (19) Slot Width
- 5710(I)-F 1" (25) Slot Width
- 5715(I)-F 1 1/2" (38) Slot Width

Flat Face T-Bar Models:

- 5775(I)-F2 3/4" (19) Slot Width
- 5710(I)-F2 1" (25) Slot Width
- 5715(I)-F2 1 1/2" (38) Slot Width

- Suffix 'I' adds internal insulation

Model Series 5700-F and 5700-F2 Plenum Slot Ceiling Diffusers have been specially developed to integrate with and complement 'Fineline®' type suspended ceiling grids, thus offering an extremely unobtrusive method of air distribution. Available in a wide range of sizes and capacities, the design offers the optimum combination of application flexibility, high performance and low cost.

This series features a friction pivoted adjustable extruded aluminum pattern controller. A key feature is the gasketed 'wiper blade' design. The direction of airflow is adjustable through a full 180° from the face of the diffuser. In the horizontal discharge setting, either left or right, the gasket seal at the top of the blade seals tightly against the inside of the diffuser plenum casing or factory supplied center T-Bar. The pattern controller may also be set for vertical discharge.

The single slot units, for all models, are for installation alongside a main T-Bar runner. Model Series 5700-F two slot units incorporate a center hat channel and are designed to straddle, longitudinally, a main T-Bar runner. The 5700-F2 Series multi-slot units incorporate factory installed 1" (25) flat face T-Bars.

STANDARD FEATURES:

- Full 180° pattern controller adjustment means there are no 'lefts or rights'.
- Available in 24" or 48" (600 or 1200) nominal lengths to suit both imperial and metric ceiling systems.
- A cross notch is a recommended standard option on 48" (1200) long units which allows the plenum to be installed in a 24" x 24" (600 x 600) ceiling grid.
- Series 5700-F is available in a one or two slot configuration and Model Series 5700-F2 is available in a one, two, three, or four slot configuration.

- The single slot units are for installation alongside a main runner.
- 5700-F two slot unit has a center hat channel that is designed to straddle a main T-Bar runner.
- 5700-F2 multi-slot units include 1" (25) flat face T-Bars.

CONSTRUCTION MATERIAL:

Corrosion-resistant steel plenum, extruded aluminum pattern controllers. The 5700-F2 Series include center T-Bars on multi-slot units that are extruded aluminum.

FINISH OPTIONS:

Black on pattern controllers and exposed surfaces. AW Appliance White on center T-Bars.

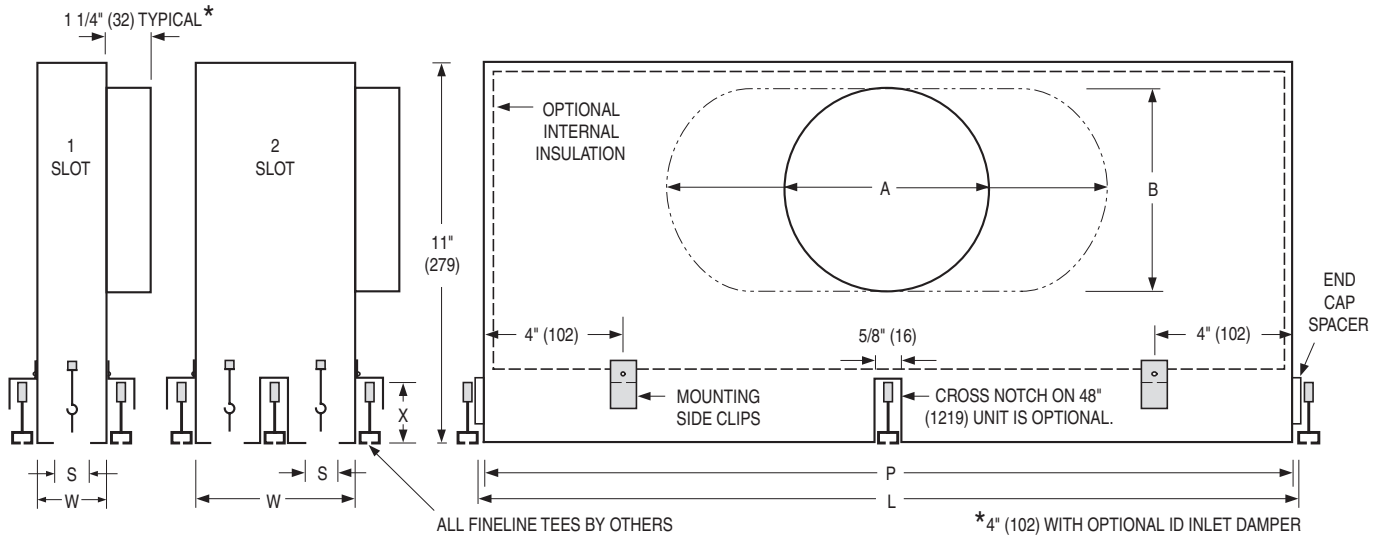
OPTIONS AND ACCESSORIES:

- Internal insulation (add suffix 'I' to model number).
- EIC Extended Inlet Collar (2.25" [57]) with bead.
- EQT Earthquake Tabs.
- For additional options and accessories, see page C61.

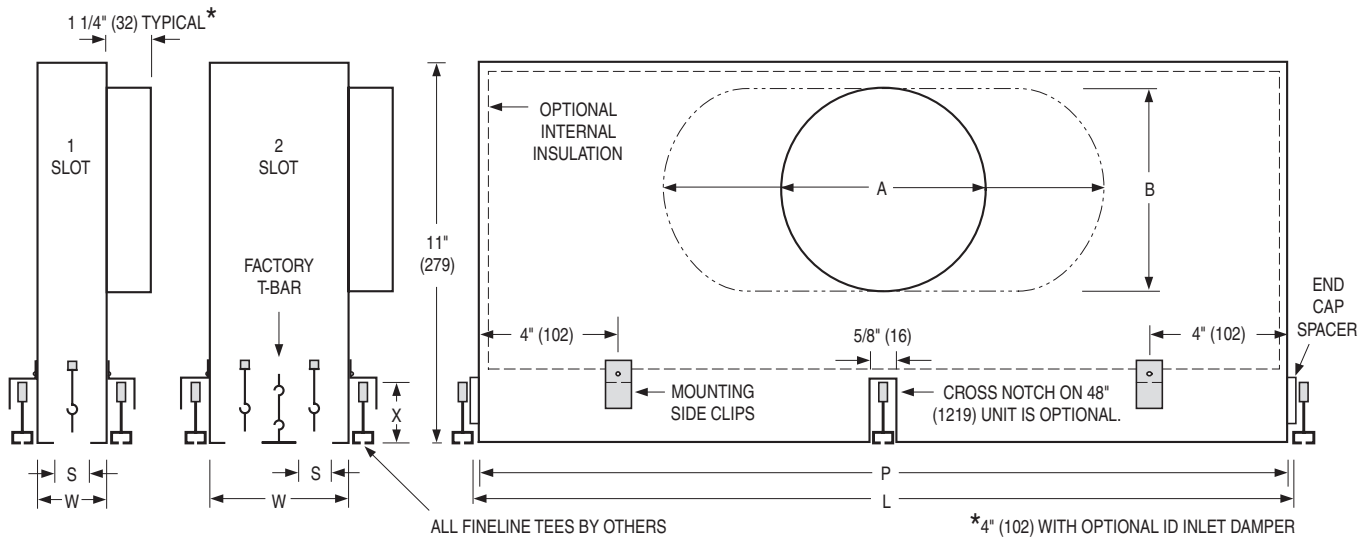
DIMENSIONAL DATA:

MODEL SERIES: 5700-F AND 5700-F2 • NARROW REGRESSED T-BAR MODELS

MODEL SERIES 5700-F



MODEL SERIES 5700-F2

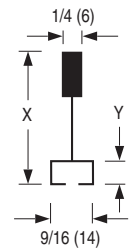


Imperial Ceiling Modules (in.)

Nominal Length	Overall Length L	Plenum Length P
24	23 3/4	23 3/8
48	47 3/4	47 3/8

Metric Ceiling Modules (mm)

Nominal Length	Overall Length L	Plenum Length P
600	594	584
1200	1194	1184



Model Series 5700-F

Model	S Slot Width	Width W	
		1 Slot	2 Slot
5775-F	3/4" (19)	1 3/4" (44)	4 1/8" (105)
5710-F	1" (25)	2" (51)	4 5/8" (117)
5715-F	1 1/2" (38)	2 1/2" (64)	5 5/8" (143)

Model Series 5700-F2

Model	S Slot Width	Width W			
		1 Slot	2 Slot	3 Slot	4 Slot
5775-F2	3/4" (19)	1 3/4" (44)	3 1/2" (89)	5 1/4" (133)	7" (178)
5710-F2	1" (25)	2" (51)	4" (102)	6" (152)	8" (203)
5715-F2	1 1/2" (38)	2 1/2" (64)	5" (127)	7 1/2" (191)	10" (254)

	Nominal Inlet Size			
	6" (152) Round	8" (203) Round	10" (254) Oval	12" (305) Oval
A	5 7/8" (149)	7 7/8" (200)	11" (279)	14 1/8" (359)
B	—	—	7 7/8" (200)	7 7/8" (200)

	T-Bar Type (Manufacturer)	X	Y
A	Chicago Metallic Ultraline	1 3/4" (44)	5/16" (8)
C	Certaiteed Smoothline	1 5/8" (41)	5/16" (8)
D	Donn Fineline	1 25/32" (45)	5/16" (8)

PERFORMANCE DATA • MODEL SERIES 5700

MODEL: 5775(I) • 3/4" (19) SLOT WIDTH

1 Slot • 24" (610) Long

6" Round Inlet	Airflow, CFM	40	50	60	70	80	90	100
	Total Pressure	.032	.051	.073	.099	.130	.164	.202
	Static Pressure	.031	.048	.069	.093	.122	.154	.190
	Noise Criteria	–	–	19	24	29	32	36
	Throw	2-4-10	3-6-12	4-7-15	6-8-17	6-10-19	7-11-20	8-12-21
8" Round Inlet	Airflow, CFM	70	80	90	100	110	120	130
	Total Pressure	.073	.095	.121	.149	.180	.215	.252
	Static Pressure	.071	.093	.118	.146	.176	.210	.246
	Noise Criteria	19	23	27	30	34	36	39
	Throw	6-8-17	6-10-19	7-11-20	8-12-21	9-13-22	10-15-23	10-16-24
10" Round Inlet	Airflow, CFM	100	110	120	130	140	150	160
	Total Pressure	.124	.150	.179	.210	.243	.279	.317
	Static Pressure	.121	.147	.175	.205	.238	.273	.311
	Noise Criteria	27	30	33	36	38	40	42
	Throw	8-12-21	9-13-22	10-15-23	10-16-24	11-17-25	12-18-26	13-19-26

1 Slot • 48" (1219) Long

6" Round Inlet	Airflow, CFM	70	90	110	130	150	170	190
	Total Pressure	.040	.066	.099	.138	.184	.236	.295
	Static Pressure	.032	.054	.080	.112	.149	.191	.239
	Noise Criteria	–	18	24	30	34	38	42
	Throw	3-6-11	4-7-13	6-9-15	7-11-16	8-12-17	9-13-18	10-14-19
8" Round Inlet	Airflow, CFM	100	120	140	160	180	200	220
	Total Pressure	.054	.078	.106	.138	.175	.216	.262
	Static Pressure	.051	.073	.099	.130	.164	.203	.246
	Noise Criteria	15	20	25	30	33	37	40
	Throw	5-8-14	6-10-15	8-11-17	9-13-18	10-13-19	11-14-20	12-15-21
10" Oval Inlet	Airflow, CFM	140	160	180	200	220	240	260
	Total Pressure	.084	.109	.138	.171	.207	.246	.289
	Static Pressure	.079	.103	.130	.161	.194	.231	.271
	Noise Criteria	21	25	29	32	36	38	41
	Throw	8-11-17	9-13-18	10-13-19	11-14-20	12-15-21	13-15-22	13-26-23
12" Oval Inlet	Airflow, CFM	160	180	200	220	240	260	280
	Total Pressure	.091	.115	.142	.172	.204	.240	.278
	Static Pressure	.089	.113	.139	.168	.200	.235	.273
	Noise Criteria	22	26	29	33	35	38	40
	Throw	9-13-18	10-13-19	11-14-20	12-15-21	13-15-22	13-16-23	14-17-23

1 Slot • 60" (1524) Long

6" Round Inlet	Airflow, CFM	90	110	130	150	170	190	210
	Total Pressure	.050	.074	.104	.138	.177	.221	.270
	Static Pressure	.037	.056	.078	.104	.134	.167	.204
	Noise Criteria	–	20	25	30	34	38	41
	Throw	3-6-10	4-7-11	6-9-12	7-9-13	8-10-14	8-10-15	9-11-15
8" Round Inlet	Airflow, CFM	90	120	150	180	210	240	270
	Total Pressure	.032	.058	.090	.130	.176	.230	.292
	Static Pressure	.028	.050	.079	.114	.155	.202	.256
	Noise Criteria	–	16	23	29	34	38	42
	Throw	3-6-10	5-8-12	7-9-13	8-10-14	9-11-15	9-12-16	10-12-17
10" Oval Inlet	Airflow, CFM	120	150	180	210	240	270	300
	Total Pressure	.044	.069	.099	.135	.176	.223	.275
	Static Pressure	.040	.063	.091	.123	.161	.204	.252
	Noise Criteria	–	18	24	29	33	37	40
	Throw	5-8-12	7-9-13	8-10-14	9-11-15	9-12-16	10-12-17	11-13-18
12" Oval Inlet	Airflow, CFM	170	200	230	260	270	300	330
	Total Pressure	.074	.102	.135	.173	.187	.230	.279
	Static Pressure	.071	.099	.130	.167	.180	.222	.268
	Noise Criteria	19	24	29	32	34	37	40
	Throw	8-10-14	9-11-15	9-11-16	10-12-17	10-12-17	11-13-18	11-14-19

See page C73 for performance data notes.

PLENUM SLOT AND LIGHT TROFFER DIFFUSERS

PERFORMANCE DATA • MODEL SERIES 5700

MODEL: 5775(I) • 3/4" (19) SLOT WIDTH

2 Slot • 24" (610) Long

6" Round Inlet	Airflow, CFM	40	50	60	75	100	125	150
	Total Pressure	.013	.020	.029	.045	.080	.125	.180
	Static Pressure	.010	.016	.023	.036	.064	.100	.144
	Noise Criteria	–	–	–	17	26	33	39
	Throw	1-2-5	1-3-8	2-5-12	4-8-15	7-10-20	8-13-23	10-15-26
8" Round Inlet	Airflow, CFM	40	55	65	80	105	130	160
	Total Pressure	.018	.034	.047	.071	.123	.188	.284
	Static Pressure	.012	.023	.032	.049	.084	.128	.194
	Noise Criteria	–	–	12	19	27	34	41
	Throw	2-5-12	5-8-16	6-10-17	8-12-19	11-16-22	13-17-24	16-19-27
10" Round Inlet	Airflow, CFM	60	80	100	120	140	160	180
	Total Pressure	.016	.028	.043	.062	.085	.111	.140
	Static Pressure	.015	.026	.040	.058	.079	.104	.131
	Noise Criteria	–	19	24	29	32	36	40
	Throw	6-7-16	7-8-18	8-10-20	9-12-22	10-14-24	11-16-26	12-18-28

2 Slot • 48" (1219) Long

6" Round Inlet	Airflow, CFM	60	90	120	150	180	210	240
	Total Pressure	.014	.032	.057	.089	.129	.175	.229
	Static Pressure	.007	.016	.028	.045	.064	.087	.114
	Noise Criteria	–	–	15	23	28	36	40
	Throw	1-2-8	2-5-11	4-8-15	6-10-17	8-11-19	10-14-21	11-16-22
8" Round Inlet	Airflow, CFM	70	105	140	175	210	245	280
	Total Pressure	.011	.025	.044	.069	.099	.135	.177
	Static Pressure	.008	.019	.033	.052	.075	.103	.134
	Noise Criteria	–	–	16	23	29	34	39
	Throw	1-4-9	3-6-13	5-9-17	7-11-19	9-13-20	10-16-22	12-17-23
10" Oval Inlet	Airflow, CFM	90	115	145	180	230	295	320
	Total Pressure	.013	.021	.033	.052	.084	.138	.163
	Static Pressure	.011	.018	.029	.045	.073	.121	.142
	Noise Criteria	–	–	17	21	29	36	39
	Throw	2-5-11	4-7-14	5-9-17	8-11-19	10-15-21	12-17-24	14-18-25
12" Oval Inlet	Airflow, CFM	100	140	180	220	260	300	340
	Total Pressure	.012	.024	.040	.059	.083	.111	.142
	Static Pressure	.012	.023	.038	.057	.079	.105	.135
	Noise Criteria	–	18	23	27	31	35	40
	Throw	3-12-18	5-13-20	7-14-21	9-15-22	11-16-23	13-17-24	14-18-26

2 Slot • 60" (1524) Long

6" Round Inlet	Airflow, CFM	110	140	170	200	230	260	290
	Total Pressure	.035	.056	.083	.115	.152	.194	.242
	Static Pressure	.017	.027	.040	.056	.074	.094	.117
	Noise Criteria	–	15	21	27	31	35	39
	Throw	2-5-11	3-7-13	5-9-14	7-10-15	8-11-16	9-12-17	10-13-18
8" Round Inlet	Airflow, CFM	125	165	205	245	285	325	350
	Total Pressure	.028	.048	.075	.107	.144	.188	.218
	Static Pressure	.018	.031	.048	.069	.094	.122	.141
	Noise Criteria	–	15	22	28	33	37	40
	Throw	3-6-12	5-8-14	7-11-15	8-12-17	10-13-18	11-14-19	11-14-20
10" Oval Inlet	Airflow, CFM	150	190	230	270	310	350	390
	Total Pressure	.028	.045	.065	.090	.119	.151	.188
	Static Pressure	.023	.036	.053	.073	.096	.123	.152
	Noise Criteria	–	17	23	28	32	36	40
	Throw	4-8-14	6-10-15	8-11-16	9-12-17	11-13-19	11-14-20	12-15-21
12" Oval Inlet	Airflow, CFM	180	220	260	300	340	380	420
	Total Pressure	.030	.045	.063	.084	.107	.134	.164
	Static Pressure	.027	.041	.057	.075	.097	.127	.148
	Noise Criteria	–	20	25	29	33	37	40
	Throw	7-10-15	8-11-16	9-12-17	10-13-18	11-14-20	12-15-21	13-15-22

See page C73 for performance data notes.

PERFORMANCE DATA • MODEL SERIES 5700

MODEL: 5775(I) • 3/4" (19) SLOT WIDTH

3 Slot • 24" (610) Long

6" Round Inlet	Airflow, CFM	50	75	100	125	150	175	200
	Total Pressure	.013	.028	.050	.079	.114	.155	.202
	Static Pressure	.008	.019	.034	.052	.075	.103	.134
	Noise Criteria	–	–	16	23	29	34	39
	Throw	1-5-10	2-7-14	4-9-18	7-11-22	9-13-26	10-15-28	12-18-30
8" Round Inlet	Airflow, CFM	65	80	100	125	160	200	255
	Total Pressure	.013	.019	.030	.047	.077	.120	.195
	Static Pressure	.011	.016	.025	.039	.064	.100	.162
	Noise Criteria	–	–	15	20	27	34	40
	Throw	2-5-12	4-6-19	4-9-18	7-11-22	10-14-27	12-18-30	15-23-34
10" Round Inlet	Airflow, CFM	80	110	140	170	200	230	260
	Total Pressure	.016	.030	.049	.072	.100	.132	.168
	Static Pressure	.014	.026	.043	.063	.087	.115	.147
	Noise Criteria	–	17	22	27	32	37	40
	Throw	4-6-19	6-9-22	8-12-25	10-15-27	12-18-30	13-20-32	15-23-34

3 Slot • 48" (1219) Long

6" Round Inlet	Airflow, CFM	80	120	160	200	240	280	320
	Total Pressure	.013	.030	.053	.083	.120	.163	.213
	Static Pressure	.004	.010	.017	.027	.038	.052	.068
	Noise Criteria	–	–	15	23	28	32	37
	Throw	1-2-9	2-5-13	4-9-17	6-11-20	9-13-22	10-15-23	12-16-24
8" Round Inlet	Airflow, CFM	100	150	200	250	300	350	400
	Total Pressure	.014	.031	.055	.087	.125	.170	.222
	Static Pressure	.009	.020	.035	.054	.078	.106	.139
	Noise Criteria	–	–	17	24	30	35	40
	Throw	1-5-14	3-8-16	6-11-20	9-14-22	11-16-24	13-19-26	14-20-28
10" Oval Inlet	Airflow, CFM	115	145	185	230	295	370	470
	Total Pressure	.012	.019	.031	.048	.079	.125	.201
	Static Pressure	.009	.015	.024	.037	.061	.096	.155
	Noise Criteria	–	–	–	20	27	34	40
	Throw	2-5-13	3-8-16	5-10-18	9-13-22	11-16-24	14-19-27	17-21-30
12" Oval Inlet	Airflow, CFM	125	185	245	305	365	425	485
	Total Pressure	.011	.025	.044	.068	.097	.131	.171
	Static Pressure	.010	.022	.038	.059	.084	.114	.148
	Noise Criteria	–	–	18	25	31	36	40
	Throw	4-7-16	7-10-19	9-13-22	11-16-25	13-19-27	15-20-29	17-22-31

3 Slot • 60" (1524) Long

6" Round Inlet	Airflow, CFM	125	175	225	275	325	350	375
	Total Pressure	.025	.048	.079	.119	.166	.192	.221
	Static Pressure	.023	.045	.074	.111	.155	.180	.206
	Noise Criteria	–	15	21	28	34	37	41
	Throw	2-4-11	3-8-14	5-10-16	8-12-18	10-14-20	11-15-21	12-16-22
8" Round Inlet	Airflow, CFM	175	225	275	325	375	425	475
	Total Pressure	.033	.054	.081	.113	.151	.194	.242
	Static Pressure	.017	.028	.041	.058	.077	.099	.123
	Noise Criteria	–	16	22	28	32	36	40
	Throw	3-7-14	5-10-16	8-12-18	9-14-19	11-15-21	12-15-22	13-16-23
10" Oval Inlet	Airflow, CFM	250	300	350	400	450	500	550
	Total Pressure	.047	.068	.092	.120	.152	.188	.227
	Static Pressure	.033	.047	.064	.084	.106	.131	.159
	Noise Criteria	15	21	26	30	34	38	41
	Throw	6-11-17	9-13-18	10-14-20	12-15-21	13-16-23	14-17-24	14-18-25
12" Oval Inlet	Airflow, CFM	275	325	375	425	475	525	575
	Total Pressure	.042	.058	.077	.099	.124	.152	.182
	Static Pressure	.033	.046	.061	.079	.098	.120	.144
	Noise Criteria	16	21	26	30	33	37	40
	Throw	8-12-18	9-14-19	11-15-21	12-15-22	13-16-23	14-17-24	15-18-25

See page C73 for performance data notes.

PLENUM SLOT AND LIGHT TROFFER DIFFUSERS

PERFORMANCE DATA • MODEL SERIES 5700

MODEL: 5775(I) • 3/4" (19) SLOT WIDTH

4 Slot • 24" (610) Long

6" Round Inlet	Airflow, CFM	60	90	120	150	180	210	240
	Total Pressure	.013	.030	.053	.083	.119	.162	.212
	Static Pressure	.007	.016	.029	.046	.066	.089	.117
	Noise Criteria	–	–	15	23	28	33	38
	Throw	1-3-9	3-6-14	5-9-19	7-12-24	9-14-28	11-17-30	13-19-32
8" Round Inlet	Airflow, CFM	80	100	125	155	195	250	315
	Total Pressure	.014	.021	.033	.051	.081	.133	.211
	Static Pressure	.010	.016	.025	.039	.061	.101	.160
	Noise Criteria	–	–	–	20	27	34	40
	Throw	2-4-12	3-7-15	5-9-19	8-12-28	10-15-30	13-19-33	17-25-37
10" Round Inlet	Airflow, CFM	110	150	190	230	270	310	350
	Total Pressure	.020	.036	.058	.085	.118	.155	.198
	Static Pressure	.017	.033	.052	.076	.105	.139	.177
	Noise Criteria	–	18	24	29	34	38	42
	Throw	4-8-16	7-12-25	10-15-30	12-18-32	14-21-34	16-24-37	18-28-39

4 Slot • 48" (1219) Long

6" Round Inlet	Airflow, CFM	100	150	200	250	300	350	400
	Total Pressure	.014	.031	.055	.087	.125	.170	.222
	Static Pressure	.013	.029	.051	.079	.114	.155	.203
	Noise Criteria	–	–	16	23	30	36	42
	Throw	1-2-10	2-5-14	4-10-19	7-12-22	10-14-25	13-16-28	16-19-31
8" Round Inlet	Airflow, CFM	120	180	240	300	360	420	480
	Total Pressure	.015	.033	.059	.093	.134	.182	.238
	Static Pressure	.006	.014	.025	.039	.057	.077	.101
	Noise Criteria	–	–	16	23	29	34	39
	Throw	1-5-12	3-8-17	6-11-22	10-14-24	11-17-27	13-20-29	15-22-31
10" Oval Inlet	Airflow, CFM	145	180	225	290	360	450	580
	Total Pressure	.014	.022	.034	.056	.087	.135	.225
	Static Pressure	.010	.015	.023	.038	.059	.093	.154
	Noise Criteria	–	–	–	20	27	34	40
	Throw	2-5-14	3-8-16	5-11-21	9-14-24	12-18-27	14-21-29	18-24-34
12" Oval Inlet	Airflow, CFM	260	320	380	440	500	560	620
	Total Pressure	.034	.051	.073	.097	.126	.158	.193
	Static Pressure	.027	.041	.057	.077	.099	.124	.152
	Noise Criteria	–	19	24	29	33	37	40
	Throw	8-12-23	10-15-25	12-18-27	14-21-29	16-22-31	18-23-33	20-25-35

4 Slot • 60" (1524) Long

6" Round Inlet	Airflow, CFM	180	220	260	300	340	380	420
	Total Pressure	.039	.059	.082	.109	.140	.175	.214
	Static Pressure	.035	.053	.074	.098	.126	.157	.192
	Noise Criteria	.168	15	20	25	30	33	37
	Throw	2-5-14	3-8-16	5-10-17	7-12-19	8-14-21	9-16-23	10-18-25
8" Round Inlet	Airflow, CFM	220	270	320	370	420	470	520
	Total Pressure	.037	.056	.078	.104	.134	.168	.206
	Static Pressure	.011	.016	.023	.031	.040	.050	.061
	Noise Criteria	–	15	20	25	30	34	38
	Throw	3-8-16	5-10-17	7-12-19	9-14-20	11-15-22	13-16-23	15-17-25
10" Oval Inlet	Airflow, CFM	310	370	430	490	550	610	670
	Total Pressure	.050	.071	.096	.124	.156	.192	.232
	Static Pressure	.029	.041	.055	.072	.090	.111	.134
	Noise Criteria	15	21	26	30	34	37	40
	Throw	7-12-19	9-14-20	11-16-22	12-17-23	14-18-25	15-19-26	16-19-27
12" Oval Inlet	Airflow, CFM	320	380	440	500	560	620	680
	Total Pressure	.040	.056	.075	.097	.122	.150	.180
	Static Pressure	.029	.042	.056	.072	.090	.111	.133
	Noise Criteria	–	19	24	28	31	35	38
	Throw	7-12-19	10-14-21	11-16-22	13-17-24	14-18-25	15-19-26	16-20-28

See page C73 for performance data notes.

PERFORMANCE DATA • MODEL SERIES 5700

MODEL: 5710(I) • 1" (25) SLOT WIDTH

1 Slot • 24" (610) Long

6" Round Inlet	Airflow, CFM	20	40	60	80	100	120	140
	Total Pressure	.006	.025	.056	.099	.155	.223	.304
	Static Pressure	.005	.018	.041	.072	.113	.162	.221
	Noise Criteria	–	–	18	24	31	37	41
	Throw	1-2-8	5-7-13	7-10-16	10-13-19	12-15-21	13-16-23	14-17-25
8" Round Inlet	Airflow, CFM	30	55	80	105	130	155	180
	Total Pressure	.012	.039	.083	.144	.220	.313	.422
	Static Pressure	.011	.038	.080	.138	.211	.300	.404
	Noise Criteria	–	–	20	26	34	38	43
	Throw	3-6-11	7-10-16	10-13-19	12-16-22	13-16-23	14-17-25	16-19-28
10" Round Inlet	Airflow, CFM	50	75	100	125	150	175	200
	Total Pressure	.025	.057	.101	.158	.228	.311	.406
	Static Pressure	.025	.056	.099	.155	.222	.303	.396
	Noise Criteria	–	15	23	30	35	39	41
	Throw	6-8-14	9-12-18	12-15-21	13-16-23	14-17-25	16-19-28	18-21-30

1 Slot • 48" (1219) Long

6" Round Inlet	Airflow, CFM	50	75	100	125	150	175	200
	Total Pressure	.016	.036	.064	.100	.143	.195	.255
	Static Pressure	.012	.027	.047	.074	.107	.145	.190
	Noise Criteria	–	–	19	26	32	36	40
	Throw	4-7-13	7-11-16	9-13-18	12-15-20	13-16-23	14-17-25	15-18-26
8" Round Inlet	Airflow, CFM	70	100	130	160	190	220	250
	Total Pressure	.021	.042	.072	.108	.153	.205	.265
	Static Pressure	.018	.037	.063	.095	.135	.180	.233
	Noise Criteria	–	15	22	28	33	36	41
	Throw	7-11-16	9-13-18	12-13-21	13-16-23	15-18-26	16-19-27	17-20-28
10" Oval Inlet	Airflow, CFM	80	115	150	185	220	255	290
	Total Pressure	.025	.051	.087	.132	.186	.250	.323
	Static Pressure	.023	.048	.082	.124	.176	.236	.305
	Noise Criteria	–	15	23	30	34	38	42
	Throw	8-12-17	12-14-20	13-16-23	14-17-25	16-19-27	17-20-28	18-22-31
12" Oval Inlet	Airflow, CFM	110	150	190	230	270	310	350
	Total Pressure	.037	.069	.110	.162	.223	.294	.372
	Static Pressure	.035	.066	.105	.154	.212	.280	.357
	Noise Criteria	–	17	22	29	33	37	40
	Throw	11-14-17	13-16-23	15-18-26	16-20-28	17-21-30	18-23-32	20-24-34

1 Slot • 60" (1524) Long

6" Round Inlet	Airflow, CFM	70	100	130	160	190	220	250
	Total Pressure	.027	.054	.092	.139	.196	.263	.339
	Static Pressure	.019	.038	.064	.085	.138	.185	.238
	Noise Criteria	–	17	24	30	37	39	42
	Throw	5-8-13	6-11-16	10-13-18	11-14-20	12-15-22	13-16-23	14-17-25
8" Round Inlet	Airflow, CFM	80	115	150	185	220	255	290
	Total Pressure	.022	.045	.076	.116	.164	.221	.285
	Static Pressure	.018	.038	.065	.098	.139	.187	.242
	Noise Criteria	–	15	22	27	32	37	40
	Throw	6-9-13	9-12-16	11-13-19	12-15-21	13-16-23	14-17-25	15-19-26
10" Oval Inlet	Airflow, CFM	110	150	190	230	270	310	350
	Total Pressure	.033	.061	.098	.143	.197	.260	.331
	Static Pressure	.030	.055	.089	.130	.179	.236	.301
	Noise Criteria	–	18	25	30	35	38	42
	Throw	9-12-16	11-13-19	12-15-21	13-16-24	14-18-25	16-19-27	17-21-29
12" Oval Inlet	Airflow, CFM	160	200	240	280	320	360	400
	Total Pressure	.068	.107	.154	.209	.273	.346	.427
	Static Pressure	.065	.101	.146	.198	.259	.328	.405
	Noise Criteria	–	20	25	30	34	37	40
	Throw	11-14-19	13-16-22	14-17-24	15-18-26	16-19-28	17-21-30	18-22-32

See page C73 for performance data notes.

PLENUM SLOT AND LIGHT TROFFER DIFFUSERS

PERFORMANCE DATA • MODEL SERIES 5700

MODEL: 5710(I) • 1" (25) SLOT WIDTH

2 Slot • 24" (610) Long

6" Round Inlet	Airflow, CFM	50	75	100	125	150	175	200
	Total Pressure	.016	.036	.064	.100	.144	.196	.256
	Static Pressure	.012	.026	.046	.073	.105	.142	.186
	Noise Criteria	–	15	22	27	32	36	38
	Throw	2-6-13	6-10-19	9-13-21	11-17-24	14-19-26	16-20-28	18-21-30
8" Round Inlet	Airflow, CFM	70	100	130	160	190	220	250
	Total Pressure	.021	.043	.072	.109	.154	.207	.267
	Static Pressure	.018	.037	.063	.095	.135	.186	.233
	Noise Criteria	–	15	22	27	32	36	40
	Throw	5-9-18	9-13-21	11-17-24	14-19-26	16-20-28	18-21-30	19-23-32
10" Round Inlet	Airflow, CFM	90	125	160	195	230	265	300
	Total Pressure	.032	.061	.100	.149	.207	.274	.352
	Static Pressure	.030	.057	.094	.140	.194	.258	.330
	Noise Criteria	–	16	24	30	35	38	41
	Throw	8-12-19	11-16-23	14-19-26	16-20-28	18-22-30	20-24-32	22-25-33

2 Slot • 48" (1219) Long

6" Round Inlet	Airflow, CFM	80	115	150	185	220	255	290
	Total Pressure	.025	.051	.086	.131	.185	.249	.322
	Static Pressure	.014	.029	.050	.076	.107	.144	.186
	Noise Criteria	–	–	16	23	29	35	40
	Throw	3-6-14	4-10-20	8-14-25	11-18-28	13-20-30	16-23-33	19-25-36
8" Round Inlet	Airflow, CFM	85	110	140	175	220	285	360
	Total Pressure	.019	.033	.053	.083	.131	.219	.349
	Static Pressure	.015	.025	.041	.064	.101	.170	.271
	Noise Criteria	–	–	–	15	22	29	37
	Throw	3-6-16	4-10-20	7-13-24	11-16-27	14-20-30	18-24-34	22-27-38
10" Oval Inlet	Airflow, CFM	110	140	180	230	290	370	430
	Total Pressure	.021	.033	.055	.090	.143	.233	.315
	Static Pressure	.018	.029	.048	.079	.126	.205	.276
	Noise Criteria	–	–	–	20	27	35	40
	Throw	4-10-21	7-13-25	11-18-28	14-22-32	19-25-36	24-29-40	25-31-43
12" Oval Inlet	Airflow, CFM	110	140	180	225	285	365	465
	Total Pressure	.016	.025	.042	.066	.105	.172	.280
	Static Pressure	.014	.023	.039	.060	.097	.159	.258
	Noise Criteria	–	–	–	16	23	31	39
	Throw	5-11-22	7-14-25	12-18-28	13-20-30	19-25-36	23-28-37	25-31-44

2 Slot • 60" (1524) Long

6" Round Inlet	Airflow, CFM	70	115	160	205	250	295	340
	Total Pressure	.019	.050	.097	.159	.237	.329	.437
	Static Pressure	.010	.027	.052	.086	.127	.177	.235
	Noise Criteria	–	–	19	26	32	36	38
	Throw	3-5-12	6-9-17	9-12-19	11-16-22	14-18-25	15-19-27	16-20-28
8" Round Inlet	Airflow, CFM	90	150	210	270	330	390	450
	Total Pressure	.016	.044	.086	.142	.212	.297	.395
	Static Pressure	.011	.032	.062	.102	.153	.214	.284
	Noise Criteria	–	–	15	23	30	35	40
	Throw	4-7-15	8-12-19	12-16-23	15-18-26	16-20-28	18-22-31	19-23-33
10" Oval Inlet	Airflow, CFM	160	225	290	355	420	485	550
	Total Pressure	.031	.060	.100	.151	.211	.281	.361
	Static Pressure	.024	.048	.080	.120	.168	.224	.288
	Noise Criteria	–	15	22	29	34	39	43
	Throw	8-12-19	12-16-23	15-19-26	17-21-30	19-23-32	20-24-34	21-26-37
12" Oval Inlet	Airflow, CFM	220	300	380	460	540	620	700
	Total Pressure	.036	.066	.106	.155	.214	.282	.360
	Static Pressure	.029	.054	.087	.127	.175	.231	.294
	Noise Criteria	–	19	26	32	37	41	44
	Throw	12-16-23	15-19-26	18-22-31	19-23-33	21-25-36	22-27-38	24-29-41

See page C73 for performance data notes.

8-10-2022

PERFORMANCE DATA • MODEL SERIES 5700

MODEL: 5710(I) • 1" (25) SLOT WIDTH

3 Slot • 24" (610) Long

6" Round Inlet	Airflow, CFM	90	120	150	180	210	240	270
	Total Pressure	.040	.071	.112	.161	.219	.286	.362
	Static Pressure	.028	.049	.077	.110	.150	.196	.248
	Noise Criteria	–	15	21	27	32	36	40
	Throw	4-8-15	6-10-20	8-12-24	10-14-28	12-18-30	14-20-32	15-21-34
8" Round Inlet	Airflow, CFM	120	160	200	240	280	320	360
	Total Pressure	.048	.073	.112	.154	.219	.277	.346
	Static Pressure	.036	.059	.087	.121	.165	.210	.278
	Noise Criteria	–	15	21	27	31	36	40
	Throw	5-9-18	8-13-24	10-16-30	12-19-32	14-22-35	17-25-37	19-27-40
10" Round Inlet	Airflow, CFM	160	210	260	310	360	410	460
	Total Pressure	.042	.072	.111	.158	.212	.276	.347
	Static Pressure	.037	.064	.098	.140	.189	.245	.308
	Noise Criteria	–	15	22	28	32	36	40
	Throw	8-12-25	10-16-29	12-20-33	14-24-37	16-28-40	18-30-42	22-32-45

3 Slot • 48" (1219) Long

6" Round Inlet	Airflow, CFM	80	120	160	200	240	280	320
	Total Pressure	.016	.037	.066	.103	.148	.202	.264
	Static Pressure	.008	.018	.032	.050	.072	.098	.128
	Noise Criteria	–	–	16	23	29	34	38
	Throw	1-2-6	2-3-11	3-6-15	4-10-19	6-11-22	8-13-24	10-15-26
8" Round Inlet	Airflow, CFM	175	225	275	325	375	425	475
	Total Pressure	.042	.071	.114	.153	.208	.260	.323
	Static Pressure	.038	.045	.076	.099	.127	.166	.209
	Noise Criteria	–	15	21	27	31	35	40
	Throw	3-7-17	5-11-21	8-13-23	10-16-25	12-18-27	14-20-29	15-22-31
10" Oval Inlet	Airflow, CFM	225	300	375	450	525	600	675
	Total Pressure	.044	.078	.121	.175	.238	.310	.393
	Static Pressure	.033	.059	.092	.132	.180	.235	.298
	Noise Criteria	–	16	23	29	34	38	42
	Throw	5-11-21	10-14-24	12-18-27	14-21-30	17-23-32	19-24-34	21-26-36
12" Oval Inlet	Airflow, CFM	280	360	440	520	600	680	760
	Total Pressure	.046	.076	.114	.159	.211	.272	.339
	Static Pressure	.038	.062	.093	.130	.173	.222	.277
	Noise Criteria	–	15	21	27	31	35	40
	Throw	9-14-23	12-18-27	14-22-30	16-24-32	19-26-34	22-28-36	25-30-39

3 Slot • 60" (1524) Long

6" Round Inlet	Airflow, CFM	80	120	180	240	280	340	390
	Total Pressure	.023	.051	.115	.204	.278	.410	.540
	Static Pressure	.012	.028	.063	.111	.152	.224	.294
	Noise Criteria	–	–	17	25	30	36	39
	Throw	2-3-11	4-9-17	8-13-21	11-16-24	13-18-26	16-20-29	17-22-31
8" Round Inlet	Airflow, CFM	140	200	260	320	380	440	500
	Total Pressure	.022	.045	.077	.116	.163	.219	.283
	Static Pressure	.012	.024	.041	.062	.088	.118	.152
	Noise Criteria	–	–	17	23	29	34	38
	Throw	4-7-15	6-9-19	9-12-22	11-15-25	14-18-28	17-20-31	20-23-34
10" Oval Inlet	Airflow, CFM	200	280	360	440	520	600	680
	Total Pressure	.028	.054	.090	.134	.188	.250	.321
	Static Pressure	.020	.038	.063	.095	.132	.176	.226
	Noise Criteria	–	–	18	25	30	35	39
	Throw	7-10-21	10-12-23	12-15-26	14-17-29	17-20-32	19-23-35	22-26-37
12" Oval Inlet	Airflow, CFM	250	350	430	520	610	700	800
	Total Pressure	.031	.061	.092	.135	.186	.245	.320
	Static Pressure	.025	.048	.073	.107	.147	.194	.253
	Noise Criteria	–	–	18	24	29	33	37
	Throw	11-17-25	16-21-29	19-23-32	21-25-36	22-27-39	24-29-41	25-31-44

See page C73 for performance data notes.

PLENUM SLOT AND LIGHT TROFFER DIFFUSERS

PERFORMANCE DATA • MODEL SERIES 5700

MODEL: 5710(I) • 1" (25) SLOT WIDTH

4 Slot • 24" (610) Long

6" Round Inlet	Airflow, CFM	60	100	140	180	220	260	300
	Total Pressure	.014	.039	.077	.127	.190	.265	.353
	Static Pressure	.008	.023	.045	.074	.111	.155	.207
	Noise Criteria	–	–	16	24	31	36	38
	Throw	2-3-12	2-5-14	4-10-20	7-13-25	10-15-31	12-18-34	13-20-35
8" Round Inlet	Airflow, CFM	150	200	250	300	350	400	450
	Total Pressure	.046	.081	.127	.183	.249	.326	.412
	Static Pressure	.034	.061	.095	.137	.187	.244	.309
	Noise Criteria	–	16	23	29	34	38	42
	Throw	5-10-20	8-13-27	11-17-32	13-20-35	15-23-38	17-26-40	19-29-43
10" Round Inlet	Airflow, CFM	175	250	325	400	450	500	550
	Total Pressure	.038	.078	.132	.199	.252	.311	.377
	Static Pressure	.032	.066	.111	.169	.213	.264	.319
	Noise Criteria	–	16	24	31	34	38	41
	Throw	7-12-24	12-18-33	16-25-39	19-28-42	21-31-44	23-33-47	26-35-49

4 Slot • 48" (1219) Long

6" Round Inlet	Airflow, CFM	140	170	200	230	260	290	320
	Total Pressure	.053	.078	.108	.143	.182	.227	.276
	Static Pressure	.044	.066	.091	.120	.153	.191	.232
	Noise Criteria	–	–	20	24	28	31	35
	Throw	2-5-13	3-7-16	4-10-19	6-11-21	7-12-23	8-14-25	9-16-27
8" Round Inlet	Airflow, CFM	200	250	300	350	400	450	500
	Total Pressure	.046	.073	.105	.142	.186	.235	.290
	Static Pressure	.025	.040	.057	.078	.102	.129	.159
	Noise Criteria	–	15	21	26	30	34	37
	Throw	3-7-17	5-10-21	7-13-24	9-15-26	11-17-28	13-19-30	15-21-32
10" Oval Inlet	Airflow, CFM	250	330	410	490	570	650	730
	Total Pressure	.041	.072	.111	.158	.214	.278	.351
	Static Pressure	.028	.048	.075	.107	.144	.188	.237
	Noise Criteria	–	15	22	28	33	37	40
	Throw	5-10-21	8-14-25	12-17-28	14-21-31	16-24-34	18-25-36	20-27-38
12" Oval Inlet	Airflow, CFM	275	375	475	575	675	775	875
	Total Pressure	.034	.063	.101	.148	.204	.269	.343
	Static Pressure	.025	.047	.075	.110	.152	.200	.255
	Noise Criteria	–	15	20	26	31	36	40
	Throw	7-13-25	12-17-28	14-21-32	17-24-34	20-26-37	22-28-39	24-30-42

4 Slot • 60" (1524) Long

6" Round Inlet	Airflow, CFM	100	160	200	265	315	370	425
	Total Pressure	.020	.051	.080	.140	.198	.273	.360
	Static Pressure	.004	.009	.015	.026	.037	.051	.067
	Noise Criteria	–	–	17	26	29	34	38
	Throw	1-3-10	1-3-11	2-4-13	3-7-17	5-11-19	6-12-20	8-14-22
8" Round Inlet	Airflow, CFM	200	250	300	350	400	450	500
	Total Pressure	.036	.057	.082	.111	.145	.184	.227
	Static Pressure	.016	.025	.036	.048	.063	.080	.099
	Noise Criteria	–	–	18	23	27	30	33
	Throw	2-4-13	3-7-17	4-9-18	6-12-20	7-13-21	10-16-23	12-18-25
10" Oval Inlet	Airflow, CFM	225	325	425	525	625	725	825
	Total Pressure	.023	.049	.084	.128	.181	.243	.315
	Static Pressure	.015	.031	.053	.081	.114	.154	.199
	Noise Criteria	–	15	20	27	33	37	41
	Throw	2-5-16	6-12-20	9-15-22	12-17-24	14-19-26	16-21-28	18-23-30
12" Oval Inlet	Airflow, CFM	300	400	500	600	700	800	900
	Total Pressure	.032	.057	.089	.128	.174	.228	.288
	Static Pressure	.023	.041	.063	.091	.124	.162	.206
	Noise Criteria	–	–	18	24	29	34	37
	Throw	4-10-19	7-13-21	11-17-24	13-18-26	16-20-28	17-21-30	18-23-32

See page C73 for performance data notes.

8-10-2022

PERFORMANCE DATA • MODEL SERIES 5700

MODEL: 5715(I) • 1 1/2" (38) SLOT WIDTH

1 Slot • 24" (610) Long

	Airflow, CFM	30	50	70	90	110	130	150
6" Round Inlet	Total Pressure	.014	.038	.075	.124	.185	.258	.344
	Static Pressure	.012	.034	.067	.111	.166	.232	.308
	Noise Criteria	–	–	–	22	28	33	38
	Throw	2-3-18	4-9-15	6-10-16	10-14-20	11-15-22	12-16-24	14-17-25
8" Round Inlet	Airflow, CFM	50	70	90	110	130	150	170
	Total Pressure	.028	.054	.089	.133	.186	.248	.318
	Static Pressure	.026	.051	.085	.127	.177	.236	.303
	Noise Criteria	–	16	17	23	29	33	37
10" Round Inlet	Airflow, CFM	70	90	110	130	150	170	190
	Total Pressure	.040	.067	.100	.140	.186	.239	.298
	Static Pressure	.039	.065	.097	.133	.181	.232	.290
	Noise Criteria	–	15	20	26	30	34	38
Throw		6-10-16	10-14-20	11-15-22	12-16-24	14-17-25	16-19-27	18-20-28

1 Slot • 48" (1219) Long

	Airflow, CFM	75	100	125	150	175	200	225
6" Round Inlet	Total Pressure	.031	.055	.086	.124	.169	.220	.279
	Static Pressure	.022	.039	.061	.087	.119	.155	.196
	Noise Criteria	–	–	15	23	27	32	36
	Throw	3-6-15	5-11-20	8-13-21	10-15-24	12-18-25	14-20-28	15-21-29
8" Round Inlet	Airflow, CFM	100	130	160	190	220	250	280
	Total Pressure	.034	.057	.087	.122	.164	.211	.265
	Static Pressure	.029	.048	.073	.103	.139	.179	.224
	Noise Criteria	–	–	19	24	29	33	37
10" Oval Inlet	Airflow, CFM	120	150	180	210	240	270	300
	Total Pressure	.035	.055	.080	.109	.142	.180	.222
	Static Pressure	.032	.051	.073	.099	.130	.164	.203
	Noise Criteria	–	–	19	24	28	32	35
12" Oval Inlet	Airflow, CFM	140	180	220	260	300	340	380
	Total Pressure	.036	.059	.088	.123	.164	.211	.264
	Static Pressure	.034	.056	.083	.116	.155	.199	.249
	Noise Criteria	–	16	22	28	32	36	40
Throw		9-14-23	12-18-26	14-20-29	18-24-34	19-26-36	20-27-38	21-28-40

1 Slot • 60" (1524) Long

	Airflow, CFM	100	130	160	190	220	250	280
6" Round Inlet	Total Pressure	.044	.075	.113	.159	.214	.276	.346
	Static Pressure	.028	.047	.072	.101	.135	.175	.219
	Noise Criteria	–	–	20	25	30	32	38
	Throw	6-10-16	8-11-18	10-14-20	12-15-21	13-16-23	14-17-25	15-18-26
8" Round Inlet	Airflow, CFM	125	160	195	230	265	300	335
	Total Pressure	.041	.067	.099	.138	.183	.235	.293
	Static Pressure	.033	.054	.080	.111	.148	.189	.236
	Noise Criteria	–	–	20	25	30	34	38
10" Oval Inlet	Airflow, CFM	140	180	220	260	300	340	380
	Total Pressure	.038	.063	.094	.131	.174	.224	.280
	Static Pressure	.033	.055	.082	.114	.152	.195	.244
	Noise Criteria	–	–	20	25	30	34	37
12" Oval Inlet	Airflow, CFM	180	230	280	330	380	430	480
	Total Pressure	.047	.077	.114	.158	.210	.269	.335
	Static Pressure	.044	.071	.105	.146	.194	.248	.309
	Noise Criteria	–	18	24	30	34	38	42
Throw		12-15-21	14-17-24	15-18-26	16-20-28	18-21-30	19-23-32	20-24-34

See page C73 for performance data notes.

PLENUM SLOT AND LIGHT TROFFER DIFFUSERS

PERFORMANCE DATA • MODEL SERIES 5700

MODEL: 5715(I) • 1 1/2" (38) SLOT WIDTH

2 Slot • 24" (610) Long

6" Round Inlet	Airflow, CFM	60	90	120	150	180	210	240
	Total Pressure	.021	.046	.082	.129	.185	.252	.330
	Static Pressure	.015	.033	.059	.092	.133	.181	.236
	Noise Criteria	–	–	15	23	28	33	38
	Throw	2-4-13	5-10-20	8-13-23	11-17-28	13-19-27	15-21-30	18-29-32
8" Round Inlet	Airflow, CFM	90	125	160	195	230	265	300
	Total Pressure	.029	.056	.091	.136	.189	.251	.322
	Static Pressure	.025	.048	.079	.117	.162	.215	.276
	Noise Criteria	–	–	19	25	30	35	39
	Throw	4-9-17	9-13-23	11-17-25	13-20-28	17-22-32	19-25-34	23-29-38
10" Round Inlet	Airflow, CFM	125	160	195	230	265	300	335
	Total Pressure	.053	.087	.129	.179	.238	.305	.381
	Static Pressure	.050	.081	.121	.168	.223	.286	.357
	Noise Criteria	–	16	21	26	31	35	39
	Throw	9-13-23	11-17-25	13-20-28	17-22-32	19-25-34	23-29-38	24-30-40

2 Slot • 48" (1219) Long

6" Round Inlet	Airflow, CFM	110	150	190	230	270	310	350
	Total Pressure	.043	.081	.129	.190	.261	.345	.439
	Static Pressure	.024	.044	.071	.104	.143	.189	.241
	Noise Criteria	–	–	16	22	27	31	36
	Throw	3-7-17	4-9-21	8-14-28	11-18-31	13-20-33	16-23-36	18-27-38
8" Round Inlet	Airflow, CFM	180	225	270	315	360	405	450
	Total Pressure	.060	.093	.135	.183	.239	.303	.374
	Static Pressure	.045	.070	.101	.137	.179	.226	.280
	Noise Criteria	–	–	20	26	29	34	37
	Throw	7-13-27	11-18-31	13-20-33	16-23-36	19-28-39	20-28-40	23-30-42
10" Oval Inlet	Airflow, CFM	230	280	330	380	430	480	530
	Total Pressure	.064	.095	.132	.175	.224	.280	.341
	Static Pressure	.051	.076	.106	.140	.180	.224	.273
	Noise Criteria	–	17	22	27	31	34	37
	Throw	11-18-31	14-21-34	17-26-38	19-28-39	21-29-41	24-31-43	26-32-45
12" Oval Inlet	Airflow, CFM	220	280	340	400	460	520	580
	Total Pressure	.039	.063	.093	.128	.170	.217	.270
	Static Pressure	.032	.052	.077	.107	.141	.180	.224
	Noise Criteria	–	–	20	25	29	33	37
	Throw	9-16-30	14-21-34	17-26-38	20-28-40	23-30-42	26-32-45	29-34-48

2 Slot • 60" (1524) Long

6" Round Inlet	Airflow, CFM	135	180	225	270	315	360	405
	Total Pressure	.060	.107	.167	.241	.328	.428	.542
	Static Pressure	.031	.055	.085	.123	.167	.219	.277
	Noise Criteria	–	–	17	23	28	33	40
	Throw	3-7-17	4-8-20	7-13-27	11-17-30	12-19-32	14-22-35	17-26-38
8" Round Inlet	Airflow, CFM	175	230	285	340	395	450	505
	Total Pressure	.050	.086	.132	.188	.254	.329	.415
	Static Pressure	.034	.059	.090	.128	.173	.225	.283
	Noise Criteria	–	–	18	23	27	32	36
	Throw	3-7-20	7-13-27	11-18-31	13-20-33	16-23-36	19-28-39	20-29-41
10" Oval Inlet	Airflow, CFM	215	280	345	410	475	540	585
	Total Pressure	.051	.087	.131	.185	.249	.322	.378
	Static Pressure	.040	.068	.103	.145	.195	.252	.296
	Noise Criteria	–	–	19	25	29	33	36
	Throw	7-14-28	11-18-31	14-21-34	17-26-38	19-28-39	21-29-41	23-30-42
12" Oval Inlet	Airflow, CFM	295	350	425	500	575	650	725
	Total Pressure	.054	.075	.111	.154	.203	.260	.323
	Static Pressure	.045	.063	.093	.128	.170	.217	.270
	Noise Criteria	–	15	22	27	32	35	39
	Throw	9-16-30	14-21-34	17-26-38	20-28-40	23-30-42	26-32-45	27-33-46

See page C73 for performance data notes.

PERFORMANCE DATA • MODEL SERIES 5700

MODEL: 5715(I) • 1 1/2" (38) SLOT WIDTH

3 Slot • 24" (610) Long

6" Round Inlet	Airflow, CFM	110	140	170	200	230	260	290
	Total Pressure	.043	.070	.103	.143	.189	.242	.301
	Static Pressure	.025	.041	.061	.084	.111	.142	.176
	Noise Criteria	–	15	21	26	31	35	40
	Throw	2-5-15	4-9-19	6-11-23	8-13-27	10-15-31	12-17-34	14-19-37
8" Round Inlet	Airflow, CFM	150	200	250	300	350	400	450
	Total Pressure	.042	.074	.115	.166	.226	.295	.374
	Static Pressure	.029	.052	.081	.116	.158	.206	.261
	Noise Criteria	–	15	22	28	33	37	41
	Throw	4-10-20	7-13-23	10-16-26	13-19-30	16-22-33	19-25-36	22-28-39
10" Round Inlet	Airflow, CFM	225	275	325	375	425	475	525
	Total Pressure	.057	.086	.120	.159	.204	.255	.312
	Static Pressure	.046	.068	.095	.127	.163	.204	.249
	Noise Criteria	–	17	23	28	32	36	40
	Throw	9-15-30	12-18-33	15-21-36	18-27-42	21-31-45	23-34-48	26-38-51

3 Slot • 48" (1219) Long

6" Round Inlet	Airflow, CFM	120	150	180	210	240	270	300
	Total Pressure	.030	.047	.068	.092	.120	.152	.188
	Static Pressure	.024	.038	.055	.075	.098	.124	.153
	Noise Criteria	–	–	–	20	24	28	36
	Throw	3-5-16	4-8-20	6-13-25	8-14-26	10-16-28	13-19-31	14-20-32
8" Round Inlet	Airflow, CFM	180	235	290	345	400	455	510
	Total Pressure	.046	.078	.118	.167	.225	.291	.366
	Static Pressure	.029	.049	.075	.106	.143	.185	.232
	Noise Criteria	–	–	18	24	28	33	36
	Throw	6-11-23	11-15-28	14-19-31	18-23-35	19-25-38	22-27-40	29-29-41
10" Oval Inlet	Airflow, CFM	270	330	390	450	510	570	630
	Total Pressure	.045	.067	.094	.125	.160	.200	.244
	Static Pressure	.030	.044	.062	.082	.106	.132	.161
	Noise Criteria	–	–	19	23	27	31	35
	Throw	14-21-34	16-24-36	19-27-37	22-28-38	24-29-41	26-31-44	27-32-46
12" Oval Inlet	Airflow, CFM	275	350	425	500	575	650	725
	Total Pressure	.030	.048	.070	.098	.129	.165	.205
	Static Pressure	.022	.035	.052	.072	.096	.122	.152
	Noise Criteria	–	–	15	20	25	29	32
	Throw	14-21-34	18-23-35	21-27-37	24-29-41	26-31-44	27-33-46	28-35-48

3 Slot • 60" (1524) Long

6" Round Inlet	Airflow, CFM	170	200	230	260	290	320	350
	Total Pressure	.053	.073	.096	.123	.153	.186	.223
	Static Pressure	.040	.055	.073	.094	.117	.142	.170
	Noise Criteria	–	15	21	25	30	35	40
	Throw	1-3-10	3-5-12	5-7-14	7-9-16	9-11-18	11-13-20	13-15-22
8" Round Inlet	Airflow, CFM	230	280	330	380	430	480	530
	Total Pressure	.046	.068	.095	.125	.161	.200	.244
	Static Pressure	.034	.051	.071	.094	.120	.149	.182
	Noise Criteria	–	15	20	24	28	32	36
	Throw	2-5-15	3-7-18	4-10-19	6-12-21	7-14-22	9-15-23	11-16-24
10" Oval Inlet	Airflow, CFM	300	375	450	525	600	675	750
	Total Pressure	.046	.072	.104	.141	.184	.233	.288
	Static Pressure	.034	.053	.076	.104	.136	.172	.212
	Noise Criteria	–	16	21	26	31	34	38
	Throw	4-8-18	6-12-21	8-14-23	11-17-24	13-18-26	14-19-28	16-21-29
12" Oval Inlet	Airflow, CFM	375	475	575	675	775	875	975
	Total Pressure	.046	.074	.108	.149	.197	.251	.312
	Static Pressure	.034	.054	.079	.109	.143	.183	.227
	Noise Criteria	–	15	21	26	31	36	40
	Throw	6-13-21	9-15-23	12-18-25	14-19-28	16-21-30	18-22-31	19-23-33

See page C73 for performance data notes.

PLENUM SLOT AND LIGHT TROFFER DIFFUSERS

PERFORMANCE DATA • MODEL SERIES 5700

MODEL: 5715(I) • 1 1/2" (38) SLOT WIDTH

4 Slot • 24" (610) Long

6" Round Inlet	Airflow, CFM	120	150	180	210	240	270	300
	Total Pressure	.041	.064	.093	.126	.165	.209	.258
	Static Pressure	.018	.028	.040	.055	.072	.091	.112
	Noise Criteria	–	15	20	26	31	35	39
	Throw	2-4-14	3-7-18	4-10-21	6-12-25	8-14-28	10-16-33	12-17-37
8" Round Inlet	Airflow, CFM	175	225	275	325	375	425	475
	Total Pressure	.044	.073	.109	.152	.203	.260	.325
	Static Pressure	.032	.052	.078	.109	.145	.186	.232
	Noise Criteria	–	15	21	27	31	35	40
	Throw	4-9-21	7-13-27	10-16-33	13-19-38	15-22-40	17-25-43	19-28-45
10" Oval Inlet	Airflow, CFM	225	300	375	450	525	600	675
	Total Pressure	.044	.078	.121	.175	.238	.310	.393
	Static Pressure	.033	.059	.092	.133	.181	.236	.299
	Noise Criteria	–	16	23	29	34	38	42
	Throw	7-13-27	12-18-36	15-22-40	18-27-44	21-31-48	24-36-51	27-38-54

4 Slot • 48" (1219) Long

6" Round Inlet	Airflow, CFM	160	200	240	280	320	360	400
	Total Pressure	.036	.056	.080	.109	.143	.181	.223
	Static Pressure	.029	.045	.065	.089	.116	.147	.181
	Noise Criteria	–	15	21	26	31	36	41
	Throw	1-2-10	2-4-14	3-5-17	4-7-19	5-8-22	6-9-25	7-10-28
8" Round Inlet	Airflow, CFM	230	290	350	410	470	530	590
	Total Pressure	.042	.067	.097	.133	.175	.223	.276
	Static Pressure	.031	.049	.071	.098	.128	.163	.202
	Noise Criteria	–	15	21	27	32	36	40
	Throw	2-5-16	4-8-20	5-12-24	7-14-28	9-16-30	13-19-30	15-21-32
10" Oval Inlet	Airflow, CFM	320	400	480	560	640	720	800
	Total Pressure	.045	.071	.102	.139	.182	.230	.284
	Static Pressure	.038	.060	.086	.117	.153	.194	.239
	Noise Criteria	–	16	22	27	31	36	40
	Throw	4-10-22	7-14-28	10-17-31	13-20-33	15-22-35	17-25-38	19-28-40
12" Oval Inlet	Airflow, CFM	400	500	600	700	800	900	1000
	Total Pressure	.051	.080	.115	.156	.204	.258	.318
	Static Pressure	.038	.060	.086	.117	.153	.193	.239
	Noise Criteria	–	16	22	27	32	36	40
	Throw	7-14-28	10-17-31	14-21-34	16-24-37	19-28-40	21-30-42	23-31-44

4 Slot • 60" (1524) Long

6" Round Inlet	Airflow, CFM	210	240	270	300	330	360	390
	Total Pressure	.060	.078	.099	.122	.148	.176	.206
	Static Pressure	.049	.064	.080	.099	.120	.143	.168
	Noise Criteria	15	18	22	25	26	31	33
	Throw	1-3-11	2-3-13	2-4-15	3-5-17	4-6-19	5-7-21	6-8-22
8" Round Inlet	Airflow, CFM	320	370	420	470	520	570	620
	Total Pressure	.066	.089	.114	.143	.175	.211	.249
	Static Pressure	.054	.072	.093	.116	.142	.171	.202
	Noise Criteria	15	21	24	28	32	34	37
	Throw	3-6-18	4-9-21	5-11-22	6-13-23	7-15-24	8-17-25	9-19-27
10" Oval Inlet	Airflow, CFM	340	420	500	580	660	740	820
	Total Pressure	.044	.067	.095	.128	.166	.208	.256
	Static Pressure	.037	.056	.079	.107	.138	.173	.213
	Noise Criteria	–	15	20	25	30	34	39
	Throw	3-7-19	5-11-22	7-14-24	9-16-26	12-18-27	14-20-29	16-22-31
12" Oval Inlet	Airflow, CFM	525	625	725	825	925	1025	1125
	Total Pressure	.067	.095	.128	.165	.208	.255	.307
	Static Pressure	.063	.090	.120	.156	.196	.241	.290
	Noise Criteria	15	20	25	29	33	36	40
	Throw	7-15-24	10-17-27	13-20-29	15-22-30	17-23-32	19-24-34	21-25-36

See page C73 for performance data notes.

HOW TO SPECIFY

MODELS 5775(I), 5710(I) AND 5715(I)

'WIPER BLADE' SUPPLY AIR PLENUM SLOT DIFFUSERS FOR LAY-IN T-BAR

SUGGESTED SPECIFICATION:

Standard Lay-in T-Bar

Furnish and install **Nailor Model** (select one) **5775(I)** (3/4" [19] slot), **5710(I)** (1" [25] slot) or **5715(I)** (1 1/2" [38] slot) **Plenum Slot Supply Diffusers** of the sizes and capacities as shown on the plans and air distribution schedules. The plenum shall be manufactured from corrosion-resistant steel and include an adjustable, extruded aluminum, friction pivoted 'wiper blade' style pattern deflector mounted within each slot. Multi-slot units shall include extruded aluminum center T-Bars. The pattern deflector shall be adjustable in a horizontal or vertical setting. A gasket seal at the top of the blade shall seal tightly against the inside of the diffuser plenum casing or factory supplied center T-Bar when in the horizontal setting. The plenum shall have a side inlet with a neck not less than 1 1/4" (32) deep for connection to the duct. The diffuser shall be supplied in nominal standard lengths of 20", 24", 30", 36", 48" and 60" (500, 600, 750, 900, 1200 and 1500) and have one, two, three or four slots as specified. The pattern controllers and all exposed edges shall have a BK Black finish and the center T-Bars shall have an AW Appliance White finish. Models 5775I, 5710I or 5715I shall be lined internally with insulation.

The manufacturer shall provide published performance data for the plenum slot diffuser, which shall be tested in accordance with ANSI/ASHRAE Standard 70–2006.

MODELS 5775(I)-F, 5710(I)-F, 5715(I)-F, 5775(I)-F2, 5710(I)-F2 AND 5715(I)-F2

'WIPER BLADE' SUPPLY AIR PLENUM SLOT DIFFUSERS FOR NARROW REGRESSED CEILING GRIDS

SUGGESTED SPECIFICATION:

Narrow Regressed T-Bar, Straddle Mount

Furnish and install **Nailor Model** (select one) **5775(I)-F** (3/4" [19] slot), **5710(I)-F** (1" [25] slot) or **5715(I)-F** (1 1/2" [38] slot) **Plenum Slot Supply Diffusers for Narrow Regressed T-Bar** of the sizes and capacities as shown on the plans and air distribution schedules. The diffuser shall fit within a Narrow Regressed T-Bar ceiling system. The plenum shall be manufactured from corrosion-resistant steel and include an adjustable, extruded aluminum, friction pivoted 'wiper blade' style pattern deflector mounted within each slot. The pattern deflector shall be adjustable in a horizontal or vertical setting. A gasket seal at the top of the blade shall seal tightly against the inside of the diffuser plenum casing when in the horizontal setting. The plenum shall have a side inlet with a neck not less than 1 1/4" (32) deep for connection to the duct. The diffuser shall be supplied in nominal standard lengths of 24" or 48" (600 or 1200) and have one or two slots as specified. Two slot models shall straddle the T-Bar lengthwise. The pattern controllers and all exposed edges shall have a BK Black finish. Models 5775I-F, 5710I-F or 5715I-F shall be lined internally with insulation.

The manufacturer shall provide published performance data for the plenum slot diffuser, which shall be tested in accordance with ANSI/ASHRAE Standard 70–2006.

Narrow Regressed T-Bar, Flat Face T-Bar(s)

Furnish and install **Nailor Model** (select one) **5775(I)-F2** (3/4" [19] slot), **5710(I)-F2** (1" [25] slot) or **5715(I)-F2** (1 1/2" [38] slot) **Plenum Slot Supply Diffusers for Narrow Regressed T-Bar** of the sizes and capacities as shown on the plans and air distribution schedules. The diffuser shall fit within a Narrow Regressed T-Bar ceiling system. The plenum shall be manufactured from corrosion-resistant steel and include an adjustable, extruded aluminum, friction pivoted 'wiper blade' style pattern deflector mounted within each slot. Multi-slot units shall include extruded aluminum center T-Bars. The pattern deflector shall be adjustable in a horizontal or vertical setting. A gasket seal at the top of the blade shall seal tightly against the inside of the diffuser plenum casing or factory supplied 1" (25) flat face center T-Bar when in the horizontal setting. The plenum shall have a side inlet with a neck not less than 1 1/4" (32) deep for connection to the duct. The diffuser shall be supplied in nominal standard lengths of 24" or 48" (600 or 1200) and have one, two, three or four slots as specified. The pattern controllers and all exposed edges shall have a BK Black finish and the center T-Bars shall have an AW Appliance White finish. Models 5775I-F2, 5710I-F2 or 5715I-F2 shall be lined internally with insulation.

The manufacturer shall provide published performance data for the plenum slot diffuser, which shall be tested in accordance with ANSI/ASHRAE Standard 70–2006.

PLENUM SLOT AND LIGHT TROFFER DIFFUSERS

RETURN AIR PLENUMS

- FOR STANDARD LAY-IN T-BAR
- COMPLIMENTS THE SUPPLY SERIES
- INCLUDES LIGHT BARRIERS

5700R Series:

- 5775R(I) 3/4" (19) Slot Width
- 5710R(I) 1" (25) Slot Width
- 5715R(I) 1 1/2" (38) Slot Width

5800R Series:

- 5850R(I) 1/2" (13) Slot Width
- 5875R(I) 3/4" (19) Slot Width
- 5810R(I) 1" (25) Slot Width

5600R Series:

- 5675R(I) 3/4" (19) Slot Width
- 5610R(I) 1" (25) Slot Width
- Suffix 'I' adds internal insulation



Models 5675R, 5775R

These models have been designed as a matching return to compliment their respective supply models. They return room air to the ceiling plenum and are designed for ductless return applications.

The design incorporates a light shield which blocks any stray light in the ceiling plenum, emitted from the rear of the light fixtures, from emerging through the face. At the same time, it prevents see-through in the opposite direction.

STANDARD FEATURES:

- Available in 20", 24", 30", 36", 48" and 60" (500, 600, 750, 900, 1200 and 1500 mm) nominal lengths to suit both imperial and metric ceiling systems.
- Choice of 1, 2, 3 or 4 parallel slots.
- Standard height is 7" (178) for 1 and 2 slot units and 11" (279) for 3 and 4 slot units.
- Factory installed center T-Bars on multi-slot models are standard. They are dropped slightly below the diffuser face to align flush with the ceiling grid.

- Series 5700R is available in 3 slot widths.
- Series 5800R is available in 3 slot widths.
- Series 5600R is available in 2 slot widths.

CONSTRUCTION MATERIAL:

Corrosion-resistant steel plenum casing, extruded aluminum center T-Bars.

FINISH OPTIONS:

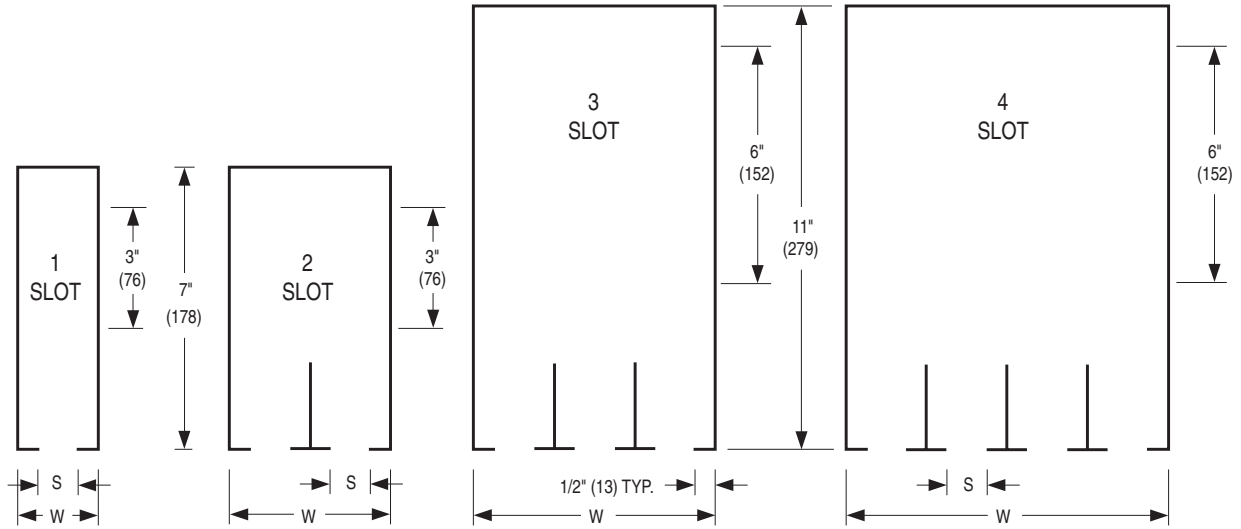
Black on exposed surfaces. AW Appliance White on center T-Bars.

OPTIONS AND ACCESSORIES:

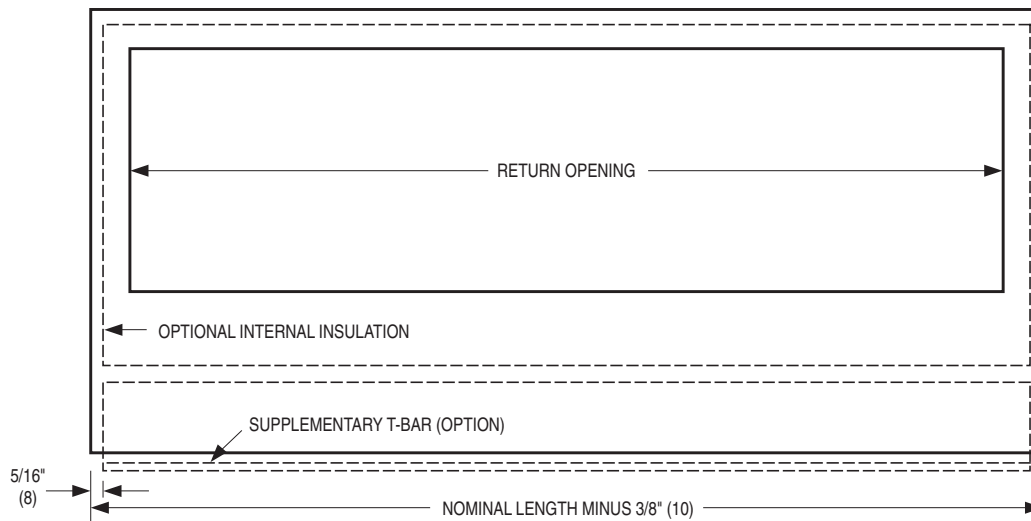
- Internal insulation (add suffix 'I' to model number).
- EQT Earthquake Tabs.
- For additional options and accessories, see page C61.

DIMENSIONAL DATA:

MODEL SERIES: 5700R, 5800R, 5600R • STANDARD LAY-IN T-BAR MODELS



		Models			
		5850R(I)	5775R(I)	5610R(I)	5715R(I)
S Slot Width		1/2" (13)	3/4" (19)	1" (25)	1 1/2" (38)
W Width	1 Slot	1 1/2" (38)	1 3/4" (44)	2" (51)	2 1/2" (64)
	2 Slot	3" (76)	3 1/2" (89)	4" (102)	5" (127)
	3 Slot	4 1/2" (115)	5 1/4" (133)	6" (152)	7 1/2" (191)
	4 Slot	6" (152)	7" (178)	8" (203)	10" (254)



Nominal Length L	
Imperial Modules Inches (mm)	Metric Modules (mm)
20" (508)	500
24" (610)	600
30" (762)	750
36" (914)	900
48" (1219)	1200
60" (1524)	1500

RETURN AIR PLENUMS

- FOR NARROW REGRESSED T-BAR
- COMPLIMENTS THE SUPPLY SERIES
- INCLUDES LIGHT BARRIERS

Straddle Style:

- 5850R(I)-F 1/2" (13) Slot Width
- 5775R(I)-F 3/4" (19) Slot Width
- 5875R(I)-F 3/4" (19) Slot Width
- 5710R(I)-F 1" (25) Slot Width
- 5810R(I)-F 1" (25) Slot Width
- 5715R(I)-F 1 1/2" (38) Slot Width

1" (25) Flat Face T-Bar Styles:

- 5850R(I)-F2 1/2" (13) Slot Width
- 5775R(I)-F2 3/4" (19) Slot Width
- 5875R(I)-F2 3/4" (19) Slot Width
- 5710R(I)-F2 1" (25) Slot Width
- 5810R(I)-F2 1" (25) Slot Width
- 5715R(I)-F2 1 1/2" (38) Slot Width

- Suffix 'I' adds internal insulation



Models 5810R-F, 5775R-F2

These models have been designed as a matching return to compliment their respective supply models. They return room air to the ceiling plenum and are designed for ductless return applications.

The design incorporates a light shield which blocks any stray light in the ceiling plenum, emitted from the rear of the light fixtures, from emerging through the face. At the same time, it prevents see-through in the opposite direction.

The single slot units, for all models, are for installation alongside a main T-Bar runner. Model Series 5700R-F and 5800R-F two slot units incorporate a center hat channel and are designed to straddle, longitudinally, a main T-Bar runner. The Model Series 5700R-F2 and 5800R-F2 multi-slot units incorporate factory installed 1" (25) flat face T-Bars.

STANDARD FEATURES:

- Available in 24" (600) or 48" (1200) nominal lengths, to suit both imperial and metric ceiling grids.
- A cross notch is a recommended option on 48" (1200) long units which allows the plenum to be installed in a 24" x 24" (600 x 600) ceiling grid.
- Series 5700R-F and 5800R-F are available in one or two slot configurations.
- Series 5700R-F2 and 5800R-F2 are available in one, two, three or four slot configurations.

- The single slot units are for installation alongside a main T-Bar runner.
- 5700R-F and 5800R-F two slot unit has a center hat channel that is designed to straddle a main T-Bar runner.
- 5700R-F2 and 5800R-F2 multi-slot units include 1" (25) flat face tees.

CONSTRUCTION MATERIAL:

Corrosion-resistant steel. Series 5700-F2 and 5800-F2 include extruded aluminum center T-Bars on multi-slot units.

FINISH OPTIONS:

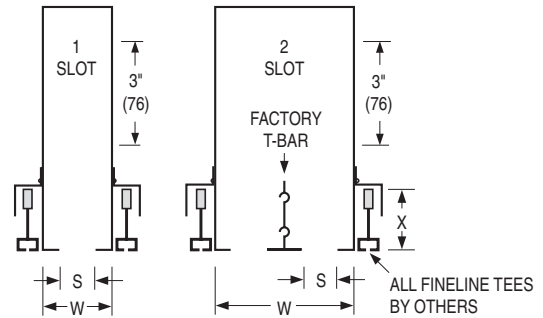
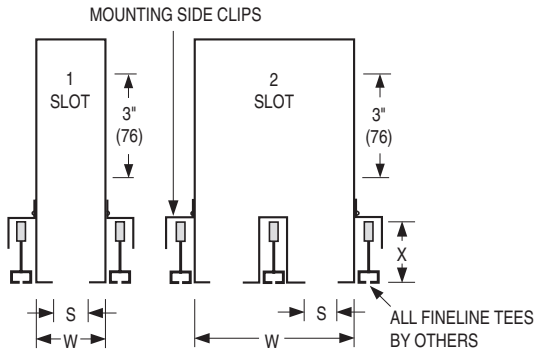
Black on exposed surfaces. AW Appliance White on center T-Bars.

OPTIONS AND ACCESSORIES:

- Internal insulation (add suffix 'I' to model number).
- EQT Earthquake Tabs.
- For additional options and accessories, see page C61.

DIMENSIONAL DATA:

MODEL SERIES: 5700R-F, 5700R-F2, 5800R-F AND 5800R-F2 • NARROW REGRESSED T-BAR

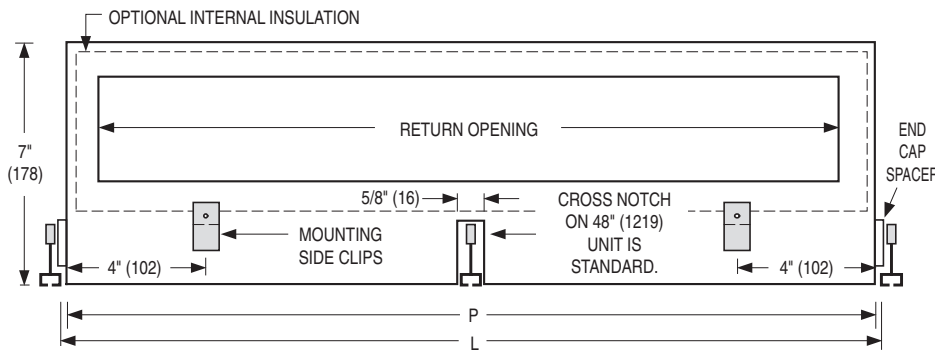


MODEL SERIES 5700R-F AND 5800R-F

MODEL SERIES 5700R-F2 AND 5800R-F2

		Models				
		5850R(I)-F	5875R(I)-F	5810R(I)-F	5775R(I)-F	5710R(I)-F
S Slot Width		1/2" (13)	3/4" (19)	1" (25)	1 1/2" (38)	
W Width	1 Slot	1 1/2" (38)	1 3/4" (44)	2" (51)	2 1/2" (64)	
	2 Slot	3 5/8" (92)	4 1/8" (105)	4 5/8" (117)	5 5/8" (143)	

		Models				
		5850R(I)-F2	5875R(I)-F2	5810R(I)-F2	5775R(I)-F2	5710R(I)-F2
S Slot Width		1/2" (13)	3/4" (19)	1" (25)	1 1/2" (38)	
W Width	1 Slot	1 1/2" (38)	1 3/4" (44)	2" (51)	2 1/2" (64)	
	2 Slot	3" (76)	3 1/2" (89)	4" (102)	5" (127)	
	3 Slot	4 1/2" (114)	5 1/4" (133)	6" (152)	7 1/2" (191)	
	4 Slot	6" (152)	7" (178)	8" (203)	10" (254)	



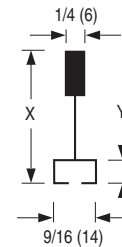
Imperial Ceiling Modules (inches)

Nominal Length	Overall Length L	Plenum Length P
24	23 3/4	23 3/8
48	47 3/4	47 3/8

Metric Ceiling Modules (mm)

Nominal Length	Overall Length L	Plenum Length P
600	594	584
1200	1194	1184

T-Bar Type (Manufacturer)	X	Y
A Chicago Metallic Ultraline	1 3/4" (44)	5/16" (8)
C Certaineed Smoothline	1 5/8" (41)	5/16" (8)
D Donn Finline	1 25/32" (45)	5/16" (8)



C

PLENUM SLOT AND LIGHT TROFFER DIFFUSERS

PERFORMANCE DATA • MODEL SERIES 5700R

MODEL: 5775R(I)

3/4" (19) Slot • 24" (610) Long

1 Slot	Airflow, CFM	30	45	60	75	90	105	120	135	150
	Negative Static Pressure	.010	.021	.038	.059	.085	.116	.152	.192	.238
	Noise Criteria	–	–	–	–	18	22	26	29	32
2 Slot	Airflow, CFM	60	90	120	150	180	210	240	270	300
	Negative Static Pressure	.010	.021	.038	.059	.085	.116	.152	.192	.238
	Noise Criteria	–	–	–	15	21	25	29	32	35

3/4" (19) Slot • 48" (1219) Long

1 Slot	Airflow, CFM	60	90	120	150	180	210	240	270	300
	Negative Static Pressure	.010	.021	.038	.059	.085	.116	.152	.192	.238
	Noise Criteria	–	–	–	–	18	22	26	29	32
2 Slot	Airflow, CFM	120	180	240	300	360	420	480	540	600
	Negative Static Pressure	.010	.021	.038	.059	.085	.116	.152	.192	.238
	Noise Criteria	–	–	–	15	21	25	29	32	35

MODEL: 5710R(I)

1" (25) Slot • 24" (610) Long

1 Slot	Airflow, CFM	40	60	80	100	120	140	160	180	200
	Negative Static Pressure	.010	.021	.038	.059	.085	.116	.152	.192	.238
	Noise Criteria	–	–	–	–	18	22	26	29	32
2 Slot	Airflow, CFM	80	120	160	200	240	280	320	360	400
	Negative Static Pressure	.010	.021	.038	.059	.085	.116	.152	.192	.238
	Noise Criteria	–	–	–	15	21	25	29	32	35

1" (25) Slot • 48" (1219) Long

1 Slot	Airflow, CFM	80	120	160	200	240	280	320	360	400
	Negative Static Pressure	.010	.021	.038	.059	.085	.116	.152	.192	.238
	Noise Criteria	–	–	–	–	18	22	26	29	32
2 Slot	Airflow, CFM	160	240	320	400	480	560	640	720	800
	Negative Static Pressure	.010	.021	.038	.059	.085	.116	.152	.192	.238
	Noise Criteria	–	–	–	15	21	25	29	32	35

MODEL: 5715R(I)

1 1/2" (38) Slot • 24" (610) Long

1 Slot	Airflow, CFM	60	90	120	150	180	210	240	270	300
	Negative Static Pressure	.010	.021	.038	.059	.085	.116	.152	.192	.238
	Noise Criteria	–	–	–	–	18	22	26	29	32
2 Slot	Airflow, CFM	120	180	240	300	360	420	480	540	600
	Negative Static Pressure	.010	.021	.038	.059	.085	.116	.152	.192	.238
	Noise Criteria	–	–	–	15	21	25	29	32	35

1 1/2" (38) Slot • 48" (1219) Long

1 Slot	Airflow, CFM	120	180	240	300	360	420	480	540	600
	Negative Static Pressure	.010	.021	.038	.059	.085	.116	.152	.192	.238
	Noise Criteria	–	–	–	–	18	22	26	29	32
2 Slot	Airflow, CFM	240	360	480	600	720	840	960	1080	1200
	Negative Static Pressure	.010	.021	.038	.059	.085	.116	.152	.192	.238
	Noise Criteria	–	–	–	15	21	25	29	32	35

Performance Notes:

1. Neg. Static Pressure is in inches w.g..
2. Noise Criteria [NC] values based on 10 dB room absorption, re 10⁻¹² watts.
3. Dash (-) in space indicates an Noise Criteria level of less than 15.
4. Data derived from tests conducted in accordance with ANSI/ASHRAE Standard 70–2006.

PLENUM SLOT AND LIGHT TROFFER DIFFUSERS

Options and Accessories

MODEL SERIES: 5600, 5700, 5800 – SUPPLY AND 5600R, 5700R, 5800R – RETURN

PF SLOT DIFFUSER PLASTER FRAME

The PF Plaster Frame, for plenum slot diffusers enables the installation of Lay-in T-Bar style diffusers to be installed in drywall or plaster ceilings. Installation of the frame in the ceiling is by others.

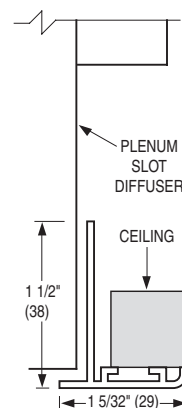
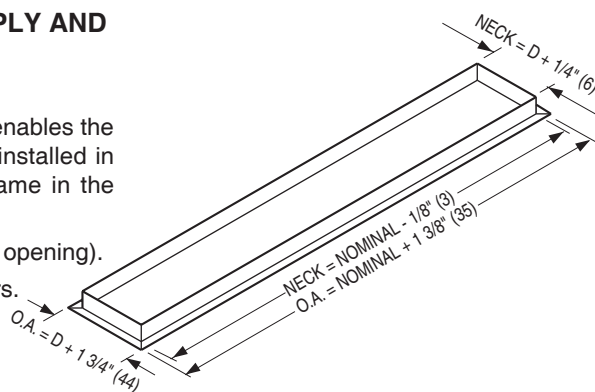
(Note: Diffuser will not fit through a plaster frame opening).

Material: Extruded aluminum with mitered corners.

Recommended Ceiling Opening dimensions:

Width = Diffuser Width (D) + 1/2" (13)

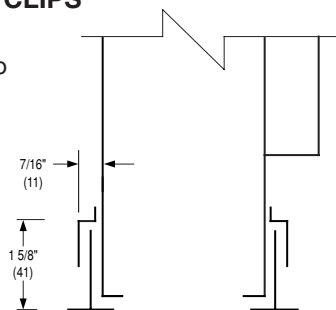
Length = Nominal Diffuser Length + 1/4" (6)



T-BAR MOUNTING CLIPS

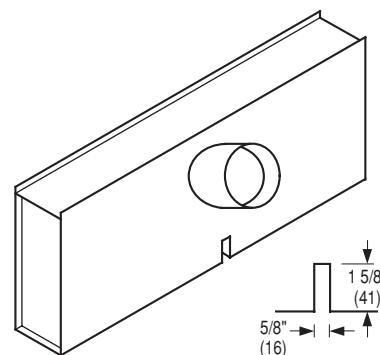
The factory installed mounting clips assist to reinforce and stabilize the plenum during and after installation.

- M1** One Side (2 supplied opposite inlet side)
- M2** Both sides (4 total supplied)



CN CROSS DAMPER

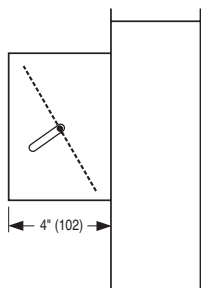
The CN Cross Notch option allows a 48" (1200) plenum unit to be installed in a 24" x 24" (600 x 600) ceiling grid. Available on both supply and return models.



ID INLET DAMPER

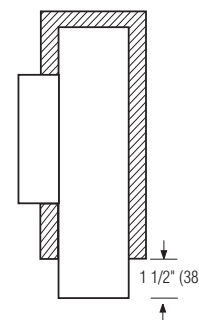
(Supply models only)

This single blade damper is an economical factory installed option that permits air balancing of the device at the plenum inlet. Ceiling access is required.



EX EXTERNAL FOIL BACK INSULATION

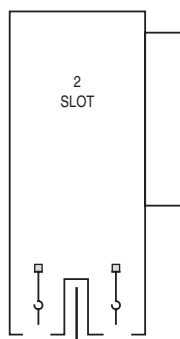
1/2" (13) thick fiberglass blanket with a reinforced aluminum foil scrim-kraft (FSK) facing that provides a vapor barrier. The insulation is wrapped around the outside of the plenum. It is an option on all non-insulated models.



ST STRADDLE T-BAR

The ST Straddle T-Bar option is a center channel that allows the plenum to straddle the T-Bar.

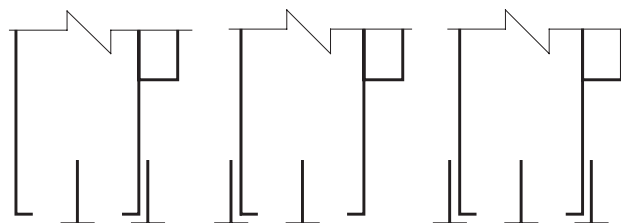
It is an option on both 2 or 4 slot units. (The T-Bar is supplied by others).



SUPPLEMENTARY T-BARS

- T1** One on inlet side
- T0** One opposite inlet side
- T2** Two on both sides

As standard, multiple slot plenums include factory installed center T-Bars. However, if required, supplementary T-Bars can be ordered as an optional accessory for either one side or both sides of the plenum.



C
PLENUM SLOT AND LIGHT TROFFER DIFFUSERS

HOW TO ORDER

MODEL SERIES: 5600, 5700 AND 5800

PLENUM SLOT DIFFUSERS

EXAMPLE: 5675I - 48 x 2 - 08 - ID - CN

1. Model Series

Supply

- 5675(I) "Flip Flop" Pattern Controller 3/4" (19) Slot Width
 - 5610(I) "Flip Flop" Pattern Controller 1" (25) Slot Width
 - 5775(I) "Wiper Blade" Pattern Controller 3/4" (19) Slot Width
 - 5710(I) "Wiper Blade" Pattern Controller 1" (25) Slot Width
 - 5715(I) "Wiper Blade" Pattern Controller 1 1/2" (38) Slot Width
 - 5850(I) "Ice Tong" Pattern Controller 1/2" (13) Slot Width
 - 5875(I) "Ice Tong" Pattern Controller 3/4" (19) Slot Width
 - 5810(I) "Ice Tong" Pattern Controller 1" (25) Slot Width
- (Add suffix "I" for optional internal insulation)

Return

- 5675R(I) "Flip Flop" Pattern Controller 3/4" (19) Slot Width
 - 5775R(I) "Wiper Blade" Pattern Controller 3/4" (19) Slot Width
 - 5710R(I) "Wiper Blade" Pattern Controller 1" (25) Slot Width
 - 5715R(I) "Wiper Blade" Pattern Controller 1 1/2" (38) Slot Width
 - 5850R(I) "Ice Tong" Pattern Controller 1/2" (13) Slot Width
 - 5875R(I) "Ice Tong" Pattern Controller 3/4" (19) Slot Width
 - 5810R(I) "Ice Tong" Pattern Controller 1" (25) Slot Width
- (Add suffix "I" for optional internal insulation)

2. Nominal Length

Imperial Sizes

- inches (mm's)
 20, 24, 30, 36, 48, 60
 (508, 610, 762, 914, 1219, 1524)

Metric Sizes

- (mm's)
 500 , 600, 750, 900, 1200, 1500

3. Number of Slots

- 1 One
- 2 Two
- 3 Three
- 4 Four

4. Inlet Size (supply only)

- 04 4" (102) Round
- 05 5" (127) Round
- 06 6" (152) Round
- 07 7" (178) Round
- 08 8" (203) Round
- 09 9" (229) Oval
- 10 10" (254) Oval
- 12 12" (305) Oval

5. Options & Accessories:

(Default is 'None' unless noted otherwise)

- ID Inlet Damper (supply only)
- CN Cross Notch
- PF Plaster Frame
- ST Straddle T-Bar
(available with 2 slot and 4 slot models only)

Supplementary T-Bars

- T1 One (inlet side)
- T0 One (opposite inlet side)
- T2 Two (both sides)
- M1 Mounting Clips - one side (2)
- M2 Mounting Clips - both sides (4)
- EX External Foil Back Insulation R-4.2 (installed)
- EIC Extended Inlet Collar (2.25" [57]) with bead *
- EQT Earthquake Tabs

Internal Insulation

- ("I" models only)
- FGI 1/4" (6.35) Coated fiberglass (default)
 - FFI 3/8" (9.53) Fiber-free foam

Notes:

1. **Model Series 5600** and **5800** are not available in a 1 1/2" (38) slot width.
2. If more than one accessory is desired, list in order.
3. Standard internal insulation ("I" suffix models) is 1/4" (6.35) coated fiberglass.
- 4.*Extended Inlet Collar option is available with 5600(I), 5700(I) and 5800(I) supply models only.

PLENUM SLOT AND LIGHT TROFFER DIFFUSERS

HOW TO ORDER

MODEL SERIES: 5700-F(2) AND 5800-F(2)

PLENUM SLOT DIFFUSERS FOR NARROW REGRESSED (FINELINE TYPE) CEILING GRIDS

EXAMPLE: 5775I-F - 48 x 2 - 08 - ID - CN - ST - M2 - D - -

1. Model Series

Supply

(Straddle Mount)

- 5675(I)-F "Flip Flop" Pattern Controller 3/4" (19) Slot Width
- 5610(I)-F "Flip Flop" Pattern Controller 1" (25) Slot Width
- 5775(I)-F "Wiper Blade" Pattern Controller 3/4" (19) Slot Width
- 5710(I)-F "Wiper Blade" Pattern Controller 1" (25) Slot Width
- 5715(I)-F "Wiper Blade" Pattern Controller 1 1/2" (38) Slot Width
- 5850(I)-F "Ice Tong" Pattern Controller 1/2" (13) Slot Width
- 5875(I)-F "Ice Tong" Pattern Controller 3/4" (19) Slot Width
- 5810(I)-F "Ice Tong" Pattern Controller 1" (25) Slot Width

(Add suffix "I" for optional internal insulation)

(Flat Face T-Bars)

- 5775(I)-F2 "Wiper Blade" Pattern Controller 3/4" (19) Slot Width
- 5710(I)-F2 "Wiper Blade" Pattern Controller 1" (25) Slot Width
- 5715(I)-F2 "Wiper Blade" Pattern Controller 1 1/2" (38) Slot Width
- 5850(I)-F2 "Ice Tong" Pattern Controller 1/2" (13) Slot Width
- 5875(I)-F2 "Ice Tong" Pattern Controller 3/4" (19) Slot Width
- 5810(I)-F2 "Ice Tong" Pattern Controller 1" (25) Slot Width

(Add suffix "I" for optional internal insulation)

Return

(Straddle Mount)

- 5775R(I)-F "Wiper Blade" Pattern Controller 3/4" (19) Slot Width
- 5710R(I)-F "Wiper Blade" Pattern Controller 1" (25) Slot Width
- 5715R(I)-F "Wiper Blade" Pattern Controller 1 1/2" (38) Slot Width
- 5850R(I)-F "Ice Tong" Pattern Controller 1/2" (13) Slot Width
- 5875R(I)-F "Ice Tong" Pattern Controller 3/4" (19) Slot Width
- 5810R(I)-F "Ice Tong" Pattern Controller 1" (25) Slot Width

(Add suffix "I" for optional internal insulation)

(Flat Face T-Bars)

- 5775R(I)-F2 "Wiper Blade" Pattern Controller 3/4" (19) Slot Width
- 5710R(I)-F2 "Wiper Blade" Pattern Controller 1" (25) Slot Width
- 5715R(I)-F2 "Wiper Blade" Pattern Controller 1 1/2" (38) Slot Width
- 5850R(I)-F2 "Ice Tong" Pattern Controller 1/2" (13) Slot Width
- 5875R(I)-F2 "Ice Tong" Pattern Controller 3/4" (19) Slot Width
- 5810R(I)-F2 "Ice Tong" Pattern Controller 1" (25) Slot Width

(Add suffix "I" for optional internal insulation)

2. Nominal Length

Imperial Sizes

- inches (mm's)
- 24, 48
- (610, 1219)

Metric Sizes

- (mm's)
- 600, 1200

3. Number of Slots

- 1 One
- 2 Two
- 3 Three
- 4 Four

4. Inlet Size (supply only)

- 04 4" (102) Round
- 05 5" (127) Round
- 06 6" (152) Round
- 07 7" (178) Round
- 08 8" (203) Round
- 09 9" (229) Oval
- 10 10" (254) Oval
- 12 12" (305) Oval

5. Cross Notch

- 00 None
- CN Cross Notch on 48" (1219 or 1200) unit (default)

6. Included Accessories

- ST Straddle T-Bar on -F two slot models only (default)
- M2 T-Bar Mounting Clips - (4) (default)

7. Specified T-Bar *

- A 1 3/4" (44) high
- C 1 5/8" (41) high
- D 1 25/32" (45) high

8. Optional Accessories:

(Default is 'None' unless noted otherwise)

- ID Inlet Damper (supply only)
- EX External Foil Back Insulation R-4.2 (installed)
- EIC Extended Inlet Collar (2.25" [57]) with bead **
- EQT Earthquake Tabs

Internal Insulation

- ("I" models only)
- FGI 1/4" (6.35) Coated fiberglass (default)
- FFI 3/8" (9.53) Fiber-free foam

Notes:

1. **Model Series 5700-F(2)** is not available with a 1/2" (13) slot width. **Model Series 5800-F(2)** is not available with a 1 1/2" (38) slot width.
2. -F models are available in a 1, or 2 slot configuration. -F2 models are available in a 1, 2, 3 or 4 slot configuration.
3. *Specified T-Bar: Type A Chicago Metallic Ultraline. Type C Certainteed Smoothline. Type D USG Donn Fineline.
4. Standard Internal Insulation ("I" suffix models) is 1/4" (6.35) coated fiberglass.
5. **Extended Inlet Collar option is available with 5600(I)-F, 5700(I)-F(2) and 5800(I)-F(2) supply models only.

PLENUM SLOT AND LIGHT TROFFER DIFFUSERS