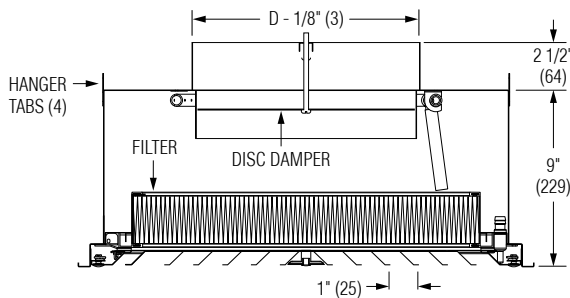
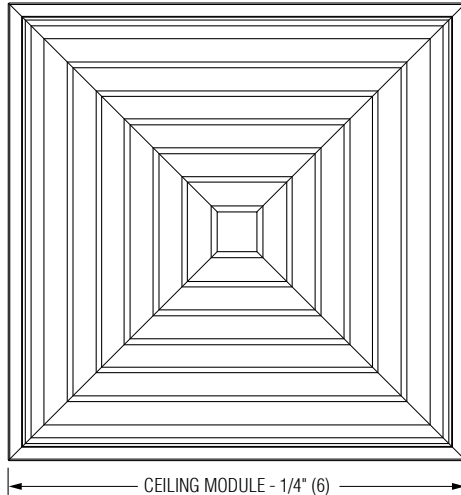


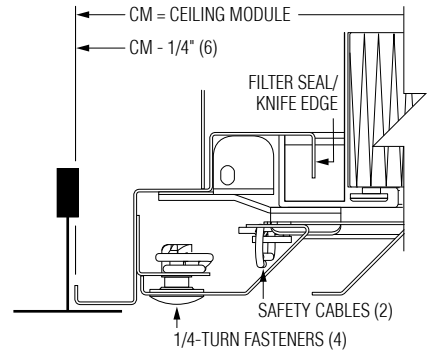


LOUVERED FACE DIFFUSER WITH HIGH EFFICIENCY FILTER • DOP SCAN TESTED
ALUMINUM • CRITICAL ENVIRONMENT APPLICATIONS
MODEL: 6200F



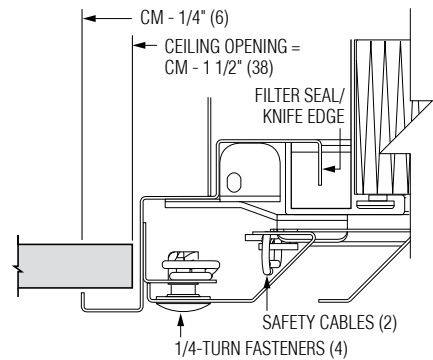
TYPE L Lay-In T-Bar

Compatible with T-Bars up to 1 1/2" (38) wide



TYPE S Surface Mount

Mounting holes, channel, fastener and sealing by others



Available Ceiling Module Sizes

Ceiling Module	Duct Size D
24 x 24 (610 x 610)	10 (254)
48 x 24 (1219 x 610)	12 (305)

DESCRIPTION:

The Nailor 6200F is a high capacity louvered face directional diffuser with a replaceable HEPA filter for cleanroom applications. The diffuser produces a four-way horizontal air pattern. Ideal applications include anterooms in biotechnology research and pharmaceutical manufacturing where large volumes of clean air are required to purge contaminants from the space.

STANDARD CONSTRUCTION:

Aluminum removable face secured with 1/4-turn fasteners and retained with two stainless steel safety cables. Extended plenum with integral filter rack to accommodate HEPA filter. Plenum is welded, sealed and factory scan tested for leaks in accordance with EST-RP-CC034.3.

The standard adjustable disc damper is accessible through a port in the HEPA filter. The disc damper diffuses the air and increase filter life.

Replaceable gel seal HEPA filter with clear anodized frame and port for optional damper adjustment. 2" (51) pleated media. 99.99% efficiency @ 0.3 μm. Packaged and shipped separately for field installation (by others).

Finish: AW Appliance White.

OPTIONS:

- 304 Type 304 stainless steel construction (#4 Satin finish).
- BDS Butterfly damper.
- BDSR Butterfly damper with remote cable operator.
- SPP Static pressure test / DOP port.
- CPM Challenge port and manifold.
- LFI Loaded filter indicator (24 volt).
- EX External foil back insulation. 1.5" (30) thick.
- UL ULPA filter (99.995% @ 0.12 μm).

SCHEDULE TYPE:

PROJECT:

ENGINEER:

CONTRACTOR:

Dimensions are in inches (mm).

DATE	B SERIES	SUPERSEDES	DRAWING NO.
6 - 15 - 21	6200	NEW	6200F

PERFORMANCE DATA:

Model 6200F with HEPA Filter

24 x 24 (610 x 610) • 10" (254) dia. Inlet • 4-way Pattern

Airflow, CFM	100	125	150	175	200	225	250	275	300
Total Pressure	0.19	0.24	0.29	0.35	0.41	0.46	0.52	0.57	0.64
Static Pressure	0.19	0.24	0.29	0.34	0.40	0.45	0.51	0.55	0.62
Noise Criteria	—	—	—	—	15	18	20	21	22
Throw	3-4-8	3-4-9	3-5-10	4-5-11	4-6-11	4-6-12	4-7-13	4-8-13	4-8-14

48 x 24 (1219 x 610) • 12" (305) dia. Inlet • 4-way Pattern

Airflow, CFM	300	350	400	450	500	550	600	650	700
Total Pressure	0.28	0.33	0.40	0.45	0.52	0.58	0.65	0.71	0.82
Static Pressure	0.27	0.32	0.38	0.43	0.49	0.55	0.61	0.67	0.87
Noise Criteria	—	—	—	—	15	18	21	24	28
Throw (long side)	1-3-10	2-3-12	2-4-14	3-6-14	3-7-15	4-8-16	4-10-17	5-11-17	6-12-18
Throw (short side)	1-3-5	2-3-5	2-4-5	3-4-6	3-4-6	4-4-6	4-5-6	4-5-7	4-6-8

Performance Notes:

1. Throws are given at 150, 100 and 50 fpm terminal velocities under isothermal conditions.
2. If the diffuser is mounted on an exposed duct, multiply throw values by x 0.70.
3. All pressures are in inches w.g.. Fully open damper position. Values include initial resistance of a clean HEPA filter with 2" (51) thick media.
4. Noise Criteria (NC) values are based upon 10dB room absorption, re 10⁻¹² watts. Dash (–) in space indicates an Noise Criteria of less than 15.
5. Data derived from tests conducted in accordance with ANSI/ASHRAE Standard 70 – 2006.