

QUALIFICATIONS:

- **UL 263 CLASSIFIED CEILING DAMPER. Category CABS.** (File # R9660).
- **1 hour rated for use in UL floor/ceiling design numbers L528/L546/L550/L558/L562/L574/L576/L579/L581/L583/L585/L592/M501/M503/M526 and roof/ceiling design numbers P531/P533/P538/P545/P547/P549/P552/P570/P580.** (Other proprietary UL design numbers may be similar. Local approval by AHJ is required to use a Nailor design when not specified).
- **Meets NFPA 90A requirements.**

MODEL SELECTION:

- 0755** Basic Unit
- 0755A** With Adjustable Volume Control

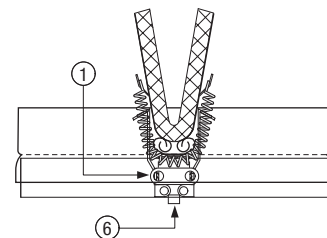
DESCRIPTION:

Ceiling dampers are designed to function as a heat barrier in air duct openings penetrating fire resistive membrane ceilings. The Model 0755(A) has been especially designed and tested to provide protection and simple installation in specific UL design wood truss ceiling assemblies. Sufficient ceiling plenum depth is required to ensure clearance for a turning radius and attachment of flexible duct without damper interference.

STANDARD CONSTRUCTION:

- Fusible Link:** UL Listed, 212°F (100°C), standard.
- Blades:** 22 ga. (0.85) galvanized steel.
- Insulation:** Ceramic fiber insulation.
- Frame:** 22 ga. (0.85) galvanized steel.
- Duct:** UL Classified Class 0 or 1 flexible air duct by others.
- Vol. Control:** Optional adjustable volume control. (Model 0755A).
- Flange:** Plaster flange.
- Blanket:** Ceramic fiber thermal blanket.
- Steel Grille/Diffuser:** Optional or by others.

0755A DAMPER DESIGN



Nominal Duct Size*	Opened Height C
4" (102)	6 1/2" (165)
5" (127)	7" (178)
6" (152)	7 1/2" (191)
7" (178)	8" (203)
8" (203)	8 1/2" (216)

* Min. 0755A size 5" (127).

Models 0755 & 0755A Sizes (W x H):

Minimum	Maximum
6" x 6" (152 x 152)	12" x 12" (305 x 305)

W x H =
Nominal Grille/
Register Size

Available Duct Connection Size: 4" through 8" (102 – 203) dia. Building code and UL Classification require damper installation in accordance with manufacturer's instructions.

OPTIONS:

- Non-standard temperature U.L. Listed fusible link.
 - 165** 165°F (74°C)
- Installation Support Angles. 26" (660) long.
 - ISA** 2 @ 3/4" x 3/4" x 16 ga. (19 x 19 x 1.6) or
 - ISB** 2 @ 1 1/2" x 1 1/2" x 22 ga. (38 x 38 x 0.85).

For installation instructions, see IOM-CRD0755INST.

SCHEDULE TYPE:	Dimensions are in inches (mm)			
PROJECT:				
ENGINEER:	DATE	B SERIES	SUPERSEDES	DRAWING NO.
CONTRACTOR:	8 - 23 - 21	0700	7 - 1 - 21	0755

QUALIFICATIONS:

- **UL 263 CLASSIFIED CEILING DAMPER.** Category CABS. (File # R9660).
- 1 hour rated for use in UL floor/ceiling design numbers L528/L546/L550/L558/L562/L574/L576/L579/L581/L583/L585/M501/M503 and roof/ceiling design numbers P531/P533/P538/P545/P547/P552. (Other proprietary UL design numbers may be similar. Local approval by AHJ is required to use a Nailor design when not specified).
- Meets NFPA 90A requirements.

DESCRIPTION:

Ceiling dampers are designed to function as a heat barrier in air handling openings penetrating fire resistive membrane ceilings. Model 0756 has been especially designed and tested to provide protection and simple installation in specific UL design wood truss ceiling assemblies.

The 0756 assembly consists of a rectangular ceiling damper recessed in a sheet metal register box (boot) with a round inlet collar, that accommodates a steel grille register or diffuser.

STANDARD CONSTRUCTION:

1. **Fusible Link:** UL Listed, 212°F (100°C), standard.
2. **Blades:** 22 ga. (0.85) roll-formed galv. steel.
3. **Blade Insulation:** Non-asbestos UL Classified.
4. **Damper Frame:** 22 ga. (0.85) galvanized steel.
5. **Steel Plenum/ Sub-Frame:** 26 ga. (0.55) minimum with round connection collar.
6. **Duct:** UL Classified Class 0 or 1 flexible air duct connection by others.
7. **Flange:** 5/8" (16) plaster flange.
8. **Steel Grille/ Register/Diffuser:** sub-frame is flush with ceiling. Standard depth for grille clearance is 2 1/2" (64).

Model 0756 Sizes (W x H):

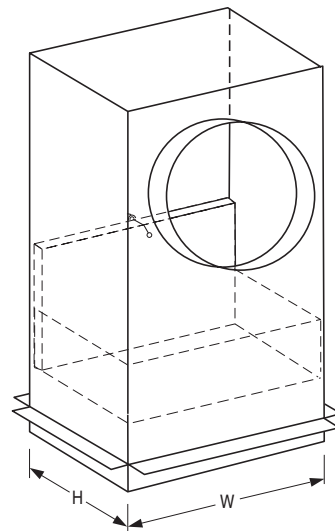
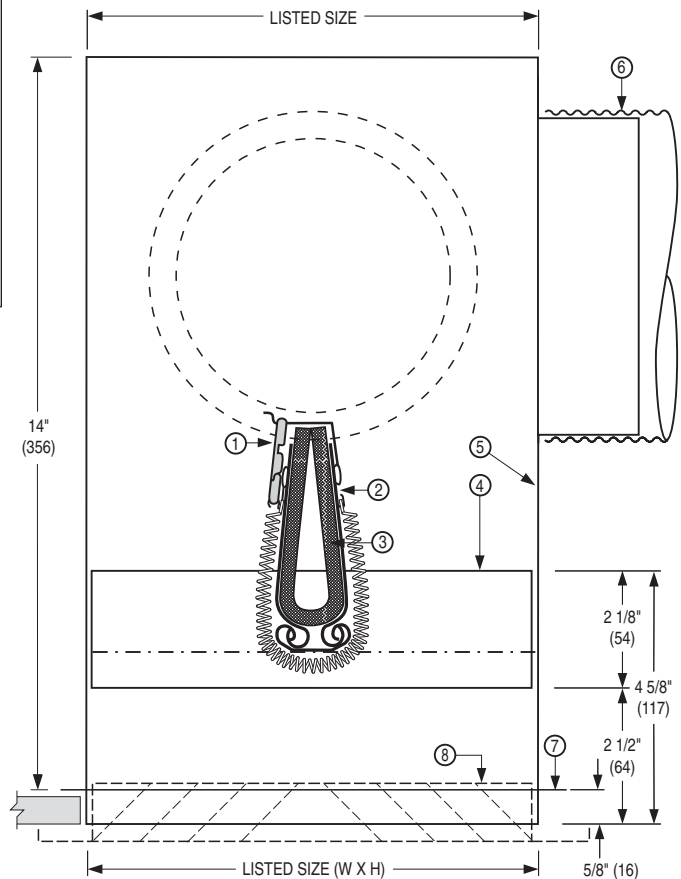
Minimum	Maximum
6" x 4" (152 x 102)	16" x 12" (406 x 305)

W x H =
Nominal Grille/
Register Size

Available Duct Connection Size: 4" through 10" (102 – 254) dia. Building code and UL Classification require damper installation in accordance with manufacturers instructions.

OPTIONS:

1. Non-standard temp. UL listed fusible link
 165 165°F (74°C)
2. Damper Style:
 0716 Butterfly (Two Blades) Damper standard
 0714 Single Blade Damper
3. Installation Support Angles. 26" (660) long.
 ISA 2 @ 3/4" x 3/4" x 16 ga. (19 x 19 x 1.6) or
 ISB 2 @ 1 1/2" x 1 1/2" x 22 ga. (38 x 38 x 0.85)



Note:

0716 style damper shown above is standard. 0714 Single Blade is also available (left), which places damper out of the airstream.

For installation instructions, see IOM-CRD0756INST.

SCHEDULE TYPE:		Dimensions are in inches (mm)			
PROJECT:		DATE	B SERIES	SUPERSEDES	DRAWING NO.
ENGINEER:		9 - 13 - 21	0700	7 - 11 - 16	0756
CONTRACTOR:					



CEILING RADIATION DAMPER
FOR WOOD TRUSS CEILING ASSEMBLIES
DUCTED • STEEL PLENUM • SIDE INLET(S)
MODEL: 0756D



QUALIFICATIONS:

- **UL 263 CLASSIFIED CEILING DAMPER.** Category CABS. (File # R9660).
- **1 hour rated for use in UL floor/ceiling design numbers L528/L546/L550/L558/L562/L574/L576/L579/L581/L583/L585/M501/M503 and roof/ceiling design numbers P531/P533/P538/P545/P547/P552.** (Other proprietary UL design numbers may be similar. Local approval by AHJ is required to use a Nailor design when not specified).
- **Meets NFPA 90A requirements.**

DESCRIPTION:

Ceiling dampers are designed to function as a heat barrier in air handling openings penetrating fire resistive membrane ceilings. Model 0756D has been especially designed and tested to provide protection and simple installation in specific UL design wood truss ceiling assemblies.

Model 0756D is designed for installation in the supply (or return) ductwork take-off from an AHU where it penetrates the ceiling and provides a single or multiple-outlet (up to three) plenum to feed 0756/grille or diffuser assemblies. May also be used as a return.

STANDARD CONSTRUCTION:

- Fusible Link:** UL Listed, 212°F (100°C), standard.
- Blades:** 22 ga. (0.85) roll-formed galv. steel.
- Blade Insulation:** Non-asbestos UL Classified.
- Damper Frame:** 22 ga. (0.85) galvanized steel.
- Steel Plenum/ Sub-Frame:** 26 ga. (0.55) minimum with round connection collar(s).
- Duct:** UL Classified Class 0 or 1 flexible air duct connection by others.
- Flange:** Plaster flange.
- Damper Mounting:** Damper sleeve is extended below ceiling for ducted connection. Damper is mounted in sub-frame to be flush with ceiling when installed.

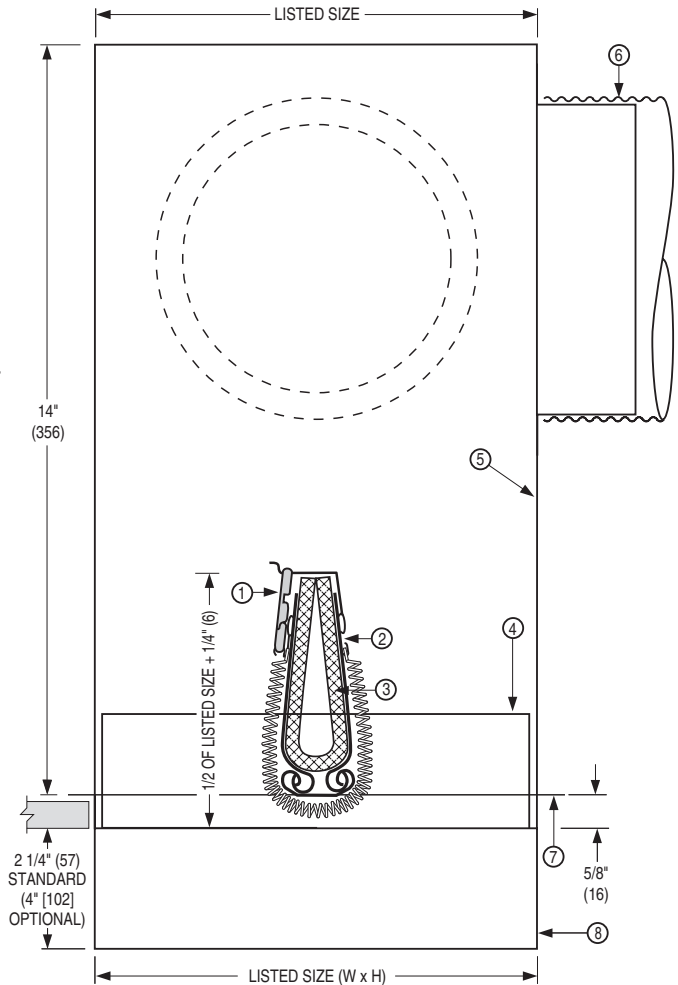
Model 0756D Sizes (Duct W x H):

Minimum	Maximum
6" x 4" (152 x 102)	18" x 18" (457 x 457)

Available Duct Connection Size: 4" through 10" (102 – 254) dia. Maximum quantity is three.

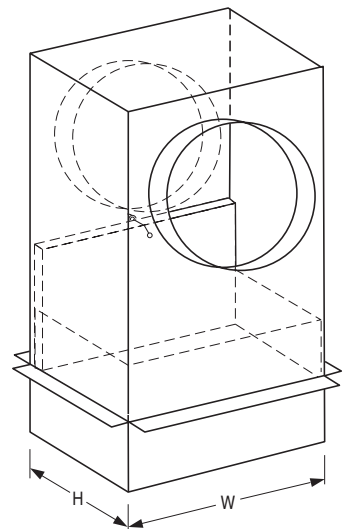
OPTIONS:

- Non-standard temp. UL listed fusible link
 165 165°F (74°C)
- Plaster Ground Extension:
 PG2 2 1/4" (57) standard
 PG4 4" (102) optional
- Damper Style:
 0716 Butterfly (Two Blades) Damper standard
 0714 Single Blade Damper
 0720 Low Profile Curtain Damper
- Installation Support Angles. 26" (660) long.
 ISA 2 @ 3/4" x 3/4" x 16 ga. (19 x 19 x 1.6) or
 ISB 2 @ 1 1/2" x 1 1/2" x 22 ga. (38 x 38 x 0.85)



Note:

0716 style damper shown above is standard. 0714 Single Blade (right), which places damper out of the airstream or 0720 Low Profile Curtain Damper are also available.



SCHEDULE TYPE:

PROJECT:

ENGINEER:

CONTRACTOR:

For installation instructions, see IOM-CRD0756INST.
 Dimensions are in inches (mm).

DATE	B SERIES	SUPERSEDES	DRAWING NO.
9 - 13 - 21	0700	7 - 6 - 21	0756D



CEILING RADIATION DAMPER
 FOR WOOD TRUSS CEILING ASSEMBLIES
 INSULATED REGISTER BOX • SIDE INLET
 MODEL: 0757-CB



QUALIFICATIONS:

- UL 263 CLASSIFIED CEILING RADIATION DAMPER. Category CABS. (File # R9660).
- 1 hour rated for use in UL floor/ceiling design numbers L528/L546/L550/L558/L562/L574/L576/L579/L581/L583/L585/M501/M503 and roof/ceiling design numbers P531/P533/P538/P545/P547/P552. (Other proprietary UL design numbers may be similar. Local approval by AHJ is required to use a Nailor design when not specified).
- Meets NFPA 90A requirements.

DESCRIPTION:

Ceiling dampers are designed to function as a heat barrier in air handling openings penetrating fire resistive membrane ceilings. The Model 0757-CB has been especially designed and tested to provide protection and simple installation in specific UL design wood truss ceiling assemblies.

The 0757-CB assembly consists of a rectangular ceiling damper recessed in a Type CB internally insulated sheet metal register box (boot) with a round 90° side inlet collar, that accommodates a steel grille or register.

STANDARD CONSTRUCTION:

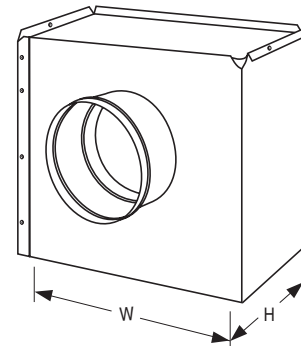
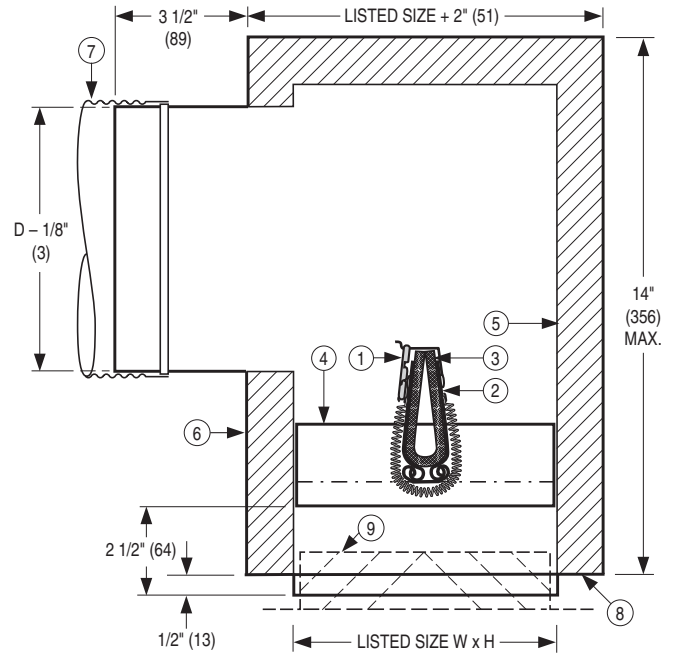
- 1. Fusible Link:** UL Listed, 212°F (100°C), std.
- 2. Blades:** 22 ga. (0.85) roll-formed galv. steel.
- 3. Blade Insulation:** Non-asbestos UL Classified.
- 4. Damper Frame:** 22 ga. (0.85) galvanized steel.
- 5. Internal Insulation:** 1 1/2" (38) R-6.3 value.
- 6. Plenum:** Steel plenum: 28 ga. (0.47) min. with round connection collar.
- 7. Duct:** UL Classified Class 0 or 1 flexible air duct connection by others.
- 8. Flange:** Plaster flange.
- 9. Steel Grille/ Register:** By Nailor or others. Standard depth for grille clearance is 2 1/2" (64).

OPTIONS:

- R8** 2" (51) thick R-8 value insulation.
- Non-standard temperature U.L. Listed fusible link.
 - 165** 165°F (74°C)
- Installation Support Angles. 26" (660) long.
 - ISA** 2 @ 3/4" x 3/4" x 16 ga. (19 x 19 x 1.6) or
 - ISB** 2 @ 1 1/2" x 1 1/2" x 22 ga. (38 x 38 x 0.85)
- Damper Style:
 - 0716** Butterfly (two blades) standard.
 - 0714** Single blade (out of airstream).

NOTE:

Building code and UL Classification require damper installation in accordance with manufacturer's instructions, see IOM-CRD0757INST.



Dimensional Data (W x H):

Available Sizes	
W x H	Nominal Duct Size D
8" x 4" (203 x 102)	4", 5" (102, 127) dia.
10" x 4" (254 x 102)	4", 5", 6" (102, 127, 152) dia.
12" x 4" (305 x 102)	6", 7", 8" (152, 178, 203) dia.
8" x 6" (203 x 152)	6" (152) dia.
10" x 6" (254 x 152)	5", 6", 7" (127, 152, 178) dia.
12" x 6" (305 x 152)	6", 7", 8", 9" (152, 178, 203, 229) dia.
8" x 8" (203 x 203)	5", 6" (127, 152) dia.
10" x 8" (254 x 203)	7", 8" (178, 203) dia.
12" x 8" (305 x 203)	7", 8" (178, 203) dia.
10" x 10" (254 x 254)	7", 8" (178, 203) dia.
12" x 12" (305 x 305)	8" (203) dia.
	9", 10" (229, 254) dia.

W x H = Nominal Grille/Register Size

Dimensions are in inches (mm)

SCHEDULE TYPE:				
PROJECT:				
ENGINEER:	DATE	B SERIES	SUPERSEDES	DRAWING NO.
CONTRACTOR:	9 - 16 - 21	0700	7 - 11 - 16	0757-CB



CEILING RADIATION DAMPER
FOR WOOD TRUSS CEILING ASSEMBLIES
REGISTER BOX • TAPERED SIDE INLET
MODEL: 0757-DB



QUALIFICATIONS:

- **UL 263 CLASSIFIED CEILING RADIATION DAMPER. Category CABS. (File # R9660).**
- **1 hour rated for use in UL floor/ceiling design numbers L528/L546/L550/L558/L562/L574/L576/L579/L581/L583/L585/M501/M503 and roof/ceiling design numbers P531/P533/P538/P545/P547/P552. (Other proprietary UL design numbers may be similar. Local approval by AHJ is required to use a Nailor design when not specified).**
- **Meets NFPA 90A requirements.**

DESCRIPTION:

Ceiling dampers are designed to function as a heat barrier in air handling openings penetrating fire resistance membrane ceilings. Model 0757-DB has been designed and tested to provide protection and simple installation in specific UL design wood truss ceiling assemblies.

The 0757-DB assembly consists of a rectangular ceiling damper recessed in a Type DB sheet metal tapered register box (boot) with a round inlet collar that accomodates a steel grille or register.

STANDARD CONSTRUCTION:

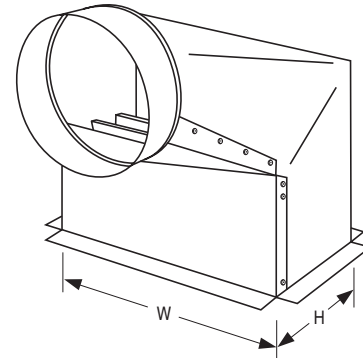
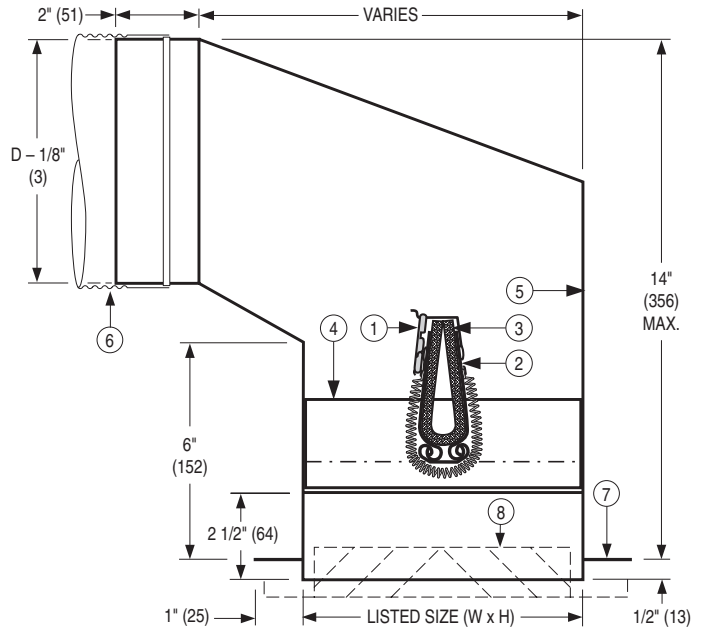
- 1. Fusible Link:** UL Listed, 212°F (100°C), standard.
- 2. Blades:** 22 ga. (0.85) roll-formed galv. steel.
- 3. Blade Insulation:** Non-asbestos UL Classified.
- 4. Damper Frame:** 22 ga. (0.85) galvanized steel.
- 5. Plenum:** Steel plenum: 26 ga. (0.55) minimum with round connection collar.
- 6. Duct:** UL Classified Class 0 or 1 flexible air duct connection by others.
- 7. Flange:** Plaster flange.
- 8. Steel Grille/ Register:** By Nailor or others. Standard depth for grille clearance is 2 1/2" (64).

OPTIONS:

1. Non-standard temperature U.L. Listed fusible link.
 - 165** 165°F (74°C)
2. Installation Support Angles. 26" (660) long.
 - ISA** 2 @ 3/4" x 3/4" x 16 ga. (19 x 19 x 1.6) or
 - ISB** 2 @ 1 1/2" x 1 1/2" x 22 ga. (38 x 38 x 0.85).
3. Damper Style:
 - 0716** Butterfly (two blades) standard.
 - 0714** Single blade (out of airstream).

NOTE:

Building code and UL Classification require damper installation in accordance with manufacturer's instructions. See IOM-CRD0757INST.



Dimensional Data (W x H):

Available Sizes	
W x H	Nominal Duct Size D
8" x 4" (203 x 102)	4", 5" (102, 127) dia.
10" x 4" (254 x 102)	4", 5", 6" (102, 127, 152) dia.
12" x 4" (305 x 102)	6", 7", 8" (152, 178, 203) dia.
14" x 4" (356 x 102)	7" (178) dia.
6" x 6" (152 x 152)	4", 5" (102, 127) dia.
8" x 6" (203 x 152)	6" (152) dia.
10" x 6" (254 x 152)	5", 6", 7" (127, 152, 178) dia.
12" x 6" (305 x 152)	6", 7", 8", 9" (152, 178, 203, 229) dia.
14" x 6" (356 x 152)	6", 7", 8", 9", 10" (152, 178, 203, 229, 254) dia.
8" x 8" (203 x 203)	5", 6" (127, 152) dia.
10" x 8" (254 x 203)	7", 8" (178, 203) dia.
12" x 8" (305 x 203)	7", 8" (178, 203) dia.
14" x 8" (356 x 203)	6", 7", 8", 9", 10" (152, 178, 203, 229, 254) dia.

W x H = Nominal Grille/ Register Size

SCHEDULE TYPE:	Dimensions are in inches (mm)			
PROJECT:				
ENGINEER:	DATE	B SERIES	SUPERSEDES	DRAWING NO.
CONTRACTOR:	9 - 16 - 21	0700	7 - 11 - 16	0757-DB



CEILING RADIATION DAMPER
FOR WOOD TRUSS CEILING ASSEMBLIES
REGISTER BOX • TAPERED TOP INLET
MODEL: 0757-EB



QUALIFICATIONS:

- **UL 263 CLASSIFIED CEILING RADIATION DAMPER. Category CABS. (File # R9660).**
- **1 hour rated for use in UL floor/ceiling design numbers L528/L546/L550/L558/L562/L574/L576/L579/L581/L583/L585/M501/M503 and roof/ceiling design numbers P531/P533/P545/P547/P552. (Other proprietary UL design numbers may be similar. Local approval by AHJ is required to use a Nailor design when not specified).**
- **Meets NFPA 90A requirements.**

DESCRIPTION:

Ceiling dampers are designed to function as a heat barrier in air handling openings penetrating fire resistive membrane ceilings. Model 0757-EB has been especially designed and tested to provide protection and simple installation in specific UL design wood truss ceiling assemblies.

The 0757-EB assembly consists of a ceiling damper mounted in the round top inlet collar of a Type EB sheet metal tapered register box (boot), that accommodates a steel grille or register.

STANDARD CONSTRUCTION:

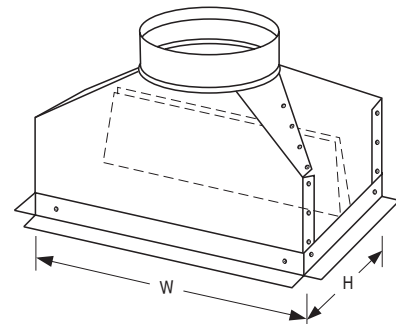
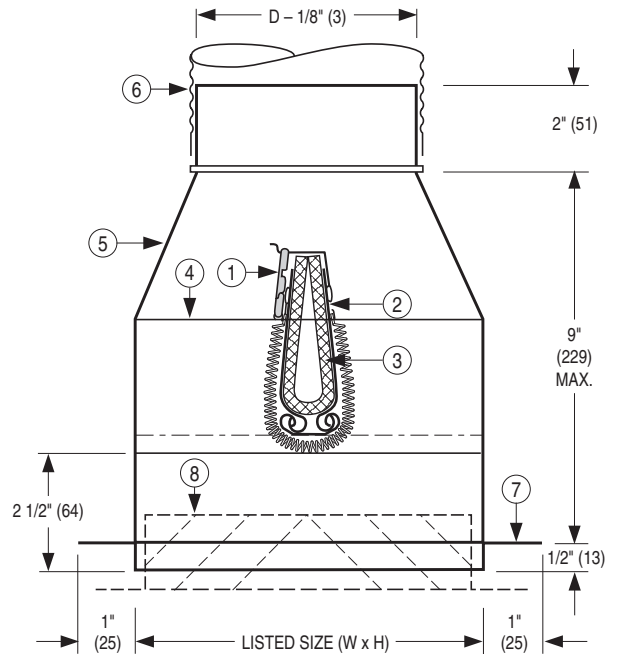
- 1. Fusible Link:** UL Listed, 212°F (100°C), standard.
- 2. Blades:** 22 ga. (0.85) roll-formed galv. steel.
- 3. Blade Insulation:** Non-asbestos UL Classified.
- 4. Damper Frame:** 22 ga. (0.85) galvanized steel.
- 5. Plenum:** Steel. 26 ga. (0.55) min. with round connection collar.
- 6. Duct:** UL Classified Class 0 or 1 flexible air duct connection by others.
- 7. Flange:** Plaster flange.
- 8. Steel Grille/ Register:** By Nailor or others. Std. depth for grille clearance is 2 1/2" (64).

OPTIONS:

- 1. Non-standard temperature U.L. Listed fusible link.
 - 165** 165°F (74°C)
- 2. Installation Support Angles. 26" (660) long.
 - ISA** 2 @ 3/4" x 3/4" x 16 ga. (19 x 19 x 1.6) or
 - ISB** 2 @ 1 1/2" x 1 1/2" x 22 ga. (38 x 38 x 0.85).

NOTE:

Building code and UL Classification require damper installation in accordance with manufacturer's instructions. See IOM-CRD0757INST.



Dimensional Data (W x H):

Available Sizes	
W x H	Nominal Duct Size D
8" x 4" (203 x 102)	4", 5" (102, 127) dia.
10" x 4" (254 x 102)	4", 5", 6" (102, 127, 152) dia.
12" x 4" (305 x 102)	6", 7", 8" (152, 178, 203) dia.
8" x 6" (203 x 152)	6" (152) dia.
10" x 6" (254 x 152)	5", 6", 7" (127, 152, 178) dia.
12" x 6" (305 x 152)	6", 7", 8", 9" (152, 178, 203, 229) dia.
8" x 8" (203 x 203)	5", 6" (127, 152) dia.
10" x 8" (254 x 203)	7", 8" (178, 203) dia.
12" x 8" (305 x 203)	7", 8" (178, 203) dia.
9" x 9" (229 x 229)	8" (203) dia.
12" x 12" (305 x 305)	8", 9", 10" (203, 229, 254) dia.

W x H = Nominal Grille/Register Size

SCHEDULE TYPE:	Dimensions are in inches (mm)			
PROJECT:				
ENGINEER:	DATE	B SERIES	SUPERSEDES	DRAWING NO.
CONTRACTOR:	9 - 16 - 21	0700	7 - 11 - 16	0757-EB



CEILING RADIATION DAMPER
 FOR WOOD TRUSS CEILING ASSEMBLIES
 INSULATED REGISTER BOX • 45° INLET
 MODEL: 0763-FB



QUALIFICATIONS:

- UL 263 CLASSIFIED CEILING RADIATION DAMPER. Category CABS. (File # R9660).
- 1 hour rated for use in UL floor/ceiling design numbers L528/L546/L550/L558/L574/L576/L579/L581/L583/L585/M503 and roof/ceiling design numbers P531/P533/P545/P547/P552. (Other proprietary UL design numbers may be similar. Local approval by AHJ is required to use a Nailor design when not specified).
- Meets NFPA 90A requirements.

DESCRIPTION:

Ceiling dampers are designed to function as a heat barrier in air handling openings penetrating fire resistive membrane ceilings. The Model Series 0763-FB has been especially designed and tested to provide protection and simple installation in specific UL design wood truss ceiling assemblies.

The 0763-FB assembly consists of a ceiling damper mounted in the round inlet collar of a Type FB internally insulated sheet metal register box (boot), that accommodates a steel grille or register.

STANDARD CONSTRUCTION:

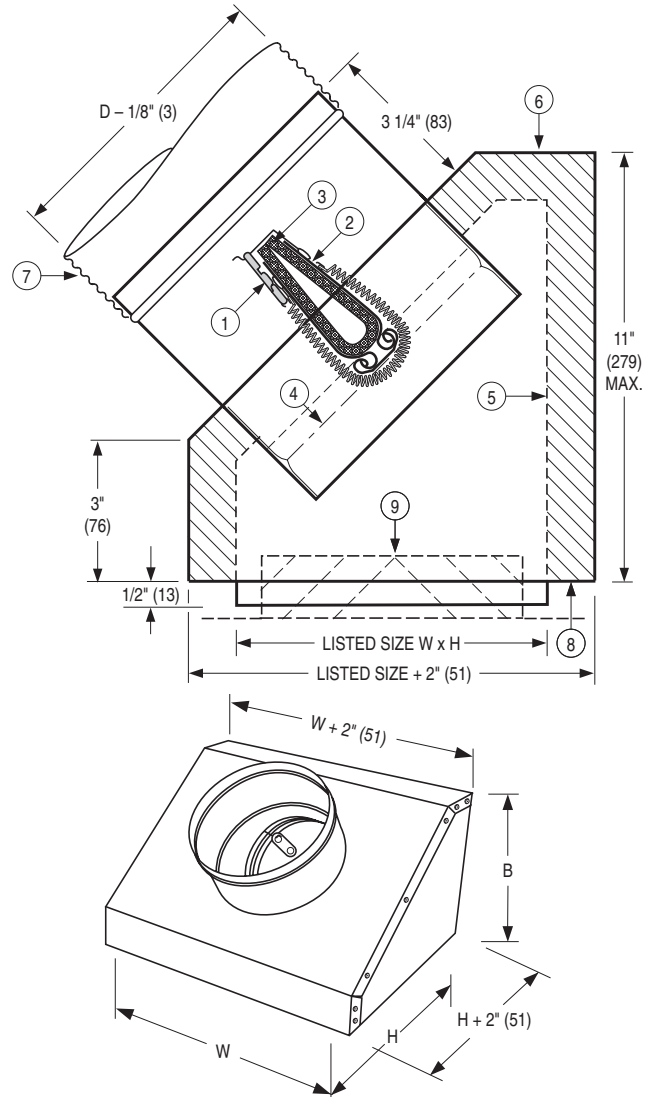
- 1. Fusible Link:** UL Listed, 212°F (100°C), std.
- 2. Blades:** 22 ga. (0.85) roll-formed galv. steel.
- 3. Blade Insulation:** Non-asbestos UL Classified.
- 4. Damper Frame:** 22 ga. (0.85) galvanized steel.
- 5. Internal Insulation:** 1 1/2" (38) R-6.3 value.
- 6. Plenum:** Steel plenum: 28 ga. (0.47) min. with round connection collar.
- 7. Duct:** UL Classified Class 0 or 1 flexible air duct connection by others.
- 8. Flange:** Plaster flange.
- 9. Steel Grille/ Register:** By Nailor or others. Standard depth for grille clearance is 2" (51).

OPTIONS:

- R8 2" (51) thick R-8 value insulation.
- Non-standard temperature U.L. Listed fusible link.
 - 165 165°F (74°C)
- Installation Support Angles. 26" (660) long.
 - ISA 2 @ 3/4" x 3/4" x 16 ga. (19 x 19 x 1.6) or
 - ISB 2 @ 1 1/2" x 1 1/2" x 22 ga. (38 x 38 x 0.85).

NOTE:

Building code and UL Classification require damper installation in accordance with manufacturer's instructions. See IOM-CRD0763INST.



Dimensional Data (W x H):

Available Sizes	
W x H	Nominal Duct Size D
8" x 4" (203 x 102)	4", 5" (102, 127) dia.
10" x 4" (254 x 102)	4", 5", 6" (102, 127, 152) dia.
12" x 4" (305 x 102)	6" (152) dia.
	7" (178) dia.
	8" (203) dia.
14" x 4" (356 x 102)	7" (178) dia.
8" x 6" (203 x 152)	6" (152) dia.
10" x 6" (254 x 152)	5", 6", 7" (127, 152, 178) dia.
12" x 6" (305 x 152)	6", 7" (152, 178) dia.
14" x 6" (356 x 152)	6", 7", 8" (152, 178, 203) dia.

W x H = Nominal Grille/Register Size

SCHEDULE TYPE:		Dimensions are in inches (mm)			
PROJECT:					
ENGINEER:	DATE	B SERIES	SUPERSEDES	DRAWING NO.	
CONTRACTOR:	9 - 16 - 21	0700	7 - 11 - 16	0763-FB	



CEILING RADIATION DAMPER
FOR WOOD TRUSS CEILING ASSEMBLIES
INSULATED REGISTER BOX • TOP INLET
MODEL: 0763-GB



QUALIFICATIONS:

- **UL 263 CLASSIFIED CEILING RADIATION DAMPER. Category CABS. (File # R9660).**
- **1 hour rated for use in UL floor/ceiling design numbers L528/L546/L550/L558/L574/L576/L579/L581/L583/L585/M503 and roof/ceiling design numbers P531/P533/P545/P547/P552. (Other proprietary UL design numbers may be similar. Local approval by AHJ is required to use a Nailor design when not specified).**
- **Meets NFPA 90A requirements.**

DESCRIPTION:

Ceiling dampers are designed to function as a heat barrier in air handling openings penetrating fire resistive membrane ceilings. The Model 0763-GB has been especially designed and tested to provide protection and simple installation in specific UL design wood truss ceiling assemblies.

The 0763-GB assembly consists of a ceiling damper mounted in the round top inlet collar of a Type GB internally insulated sheet metal register box (boot) that accommodates a steel grille or register.

STANDARD CONSTRUCTION:

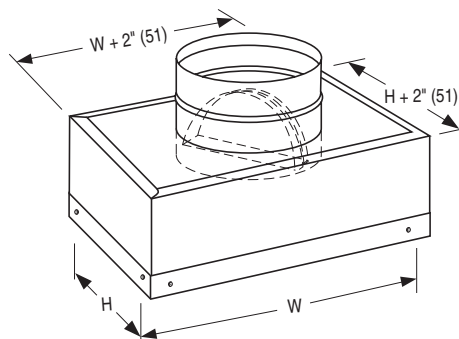
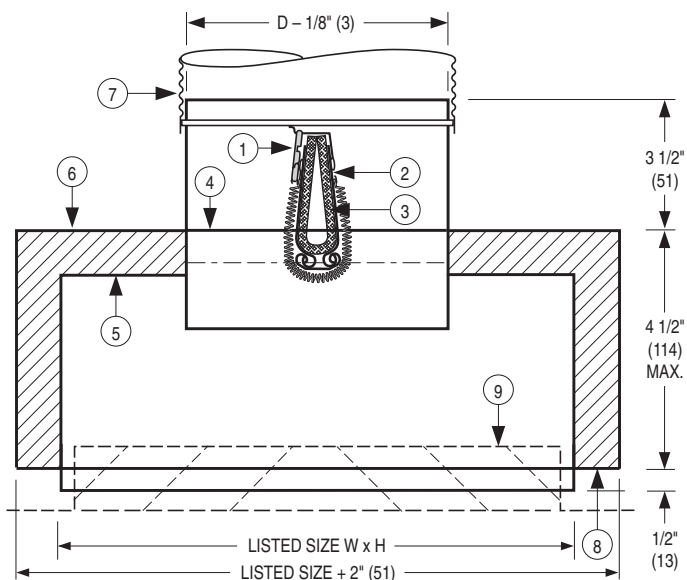
- 1. Fusible Link:** UL Listed, 212°F (100°C), standard.
- 2. Blades:** 22 ga. (0.85) roll-formed galv. steel.
- 3. Blade Insulation:** Non-asbestos UL Classified.
- 4. Damper Frame:** 22 ga. (0.85) galvanized steel.
- 5. Internal Insulation:** 1 1/2" (38) R-6.3 value.
- 6. Plenum:** Steel. 28 ga. (0.47) min. with round connection collar.
- 7. Duct:** UL Classified Class 0 or 1 flexible air duct connection by others.
- 8. Flange:** Plaster flange.
- 9. Steel Grille/Reg.:** By Nailor or others. Minimum depth for grille clearance is 2" (51).

OPTIONS:

- R8** 2" (51) thick R-8 value insulation.
- Non-standard temperature U.L. Listed fusible link.
 165 165°F (74°C)
- Installation Support Angles. 26" (660) long.
 ISA 2 @ 3/4" x 3/4" x 16 ga. (19 x 19 x 1.6) or
 ISB 2 @ 1 1/2" x 1 1/2" x 22 ga. (38 x 38 x 0.85)

NOTE:

Building code and UL Classification require damper installation in accordance with manufacturer's instructions. See IOM-CRD0763INST.



Dimensional Data (W x H):

Available Sizes	
W x H	Nominal Duct Size D
8" x 4" (203 x 102)	4", 5" (102, 127) dia.
10" x 4" (254 x 102)	4", 5", 6" (102, 127, 152) dia.
12" x 4" (305 x 102)	6", 7", 8" (152, 178, 203) dia.
8" x 6" (203 x 152)	6" (152) dia.
10" x 6" (254 x 152)	5", 6", 7" (127, 152, 178) dia.
12" x 6" (305 x 152)	6", 7", 8" (152, 178, 203) dia.
14" x 6" (356 x 152)	6", 7", 8" (152, 178, 203) dia.
8" x 8" (203 x 203)	5", 6" (127, 152) dia.
10" x 8" (254 x 203)	7", 8" (178, 203) dia.
12" x 8" (305 x 203)	7", 8" (178, 203) dia.
14" x 8" (356 x 203)	6", 7", 8" (152, 178, 203) dia.

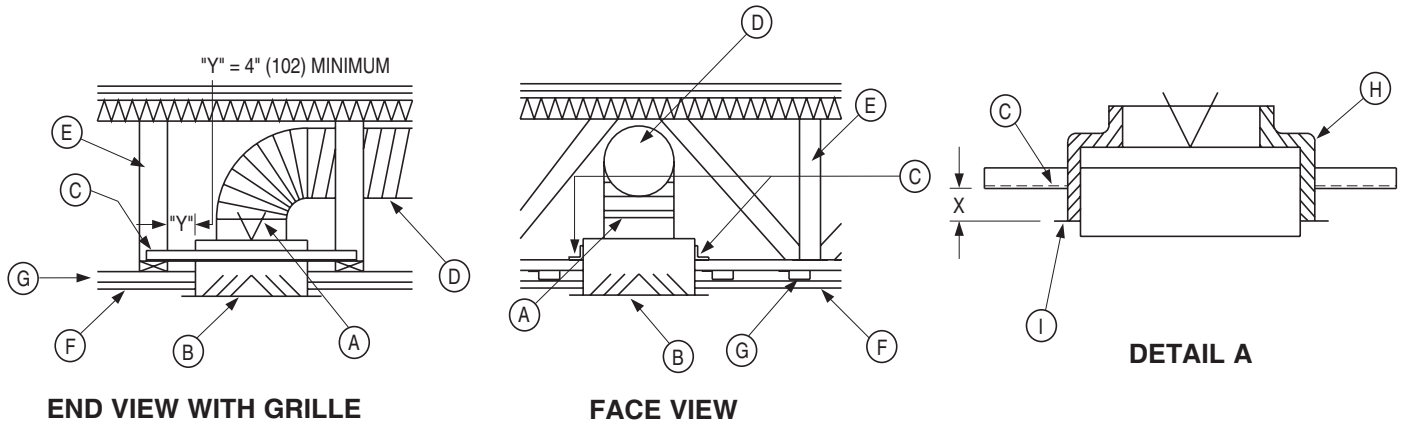
W x H = Nominal Grille/Register Size

SCHEDULE TYPE:	Dimensions are in inches (mm)			
PROJECT:				
ENGINEER:	DATE	B SERIES	SUPERSEDES	DRAWING NO.
CONTRACTOR:	9 - 16 - 21	0700	7 - 11 - 16	0763-GB

INSTALLATION INSTRUCTIONS

CEILING RADIATION DAMPER • FOR USE IN WOOD TRUSS ASSEMBLIES
 UL DESIGN NO'S L528, L546, L550, L558, L562, L574, L576, L579, L581,
 L583, L585, L592, M501, M503, M526, P531, P533, P538, P545, P547, P549,
 P552, P570, P580

MODELS: 0755 AND 0755A



- | | |
|--|---|
| <ul style="list-style-type: none"> (A) Damper Assembly (B) Steel frame Grille/Diffuser (24 gauge (0.70) min.) (C) 3/4" x 3/4" x 16 gauge (19 x 19 x 1.61) or 1 1/2" x 1 1/2" x 22 gauge (38 x 38 x 0.85) support angle (2 sides) (D) Flex Duct UL Classified Air Duct (Class 0 or 1) (E) Wood Truss (Refer to Specific UL Design No.) | <ul style="list-style-type: none"> (F) 5/8" (16) Gypsum Wallboard (Refer to Specific UL Design No.) (G) RC Channel (H) Ceramic Fiber Thermal Blanket (I) Plaster flange |
|--|---|

NOTES:

1. Before installing Model 0755, open damper blades and install fusible link between spring loaded wire clips. Do not bend or deform clips after assembly. If dampers are provided with link tabs instead of wire clips, install link and bend tabs to secure link in position.
2. Place fiber blanket over assembly as shown in "Detail A". Corners of blanket may be stapled to facilitate installation.
3. Attach 3/4" x 3/4" x 16 ga. (19 x 19 x 1.61) or 1 1/2" x 1 1/2" x 22 ga. (38 x 38 x 0.85) support angles to assembly with a minimum of two #8 screws or 3/16" (5) dia. steel pop rivets each side. Distance from bottom of angle to bottom of plaster flange (X) should be the combined thickness of the wood truss member and the RC channel, usually 1 7/8" (48).
4. Install assembly between trusses as shown in End View and attach support angles to bottom cord of truss using 1 1/4" (32) long type S steel screws or similar. Minimum clearance (Dimension "Y") between damper assembly and wood truss is 4" (102).
5. Ceiling penetrations should be located between adjacent trusses and RC channels. If required, a maximum of one RC channel may be cut or notched to enable proper damper location. The clearance between the damper assembly and the cutout in the ceiling material shall be a maximum of 1/8" (3) on any side.
6. Flex duct shall be UL Classified Air Duct Class 0 or Class 1. Fold back neck flaps of blanket and slip flexible duct over neck of damper. Replace neck flaps of blanket over duct and fasten duct to neck over blanket using steel clamp, plastic strap, or minimum 18 gauge (1.2) steel wire in accordance with duct manufacturers' installation instructions.
7. The grille/diffuser frame shall be 24 gauge (0.61) minimum steel and shall be attached with a minimum of two #8 x 1 1/4" (32) min. screws through the ceiling material and into the steel plaster flange surrounding the damper assembly.

Note: Make sure that any fasteners or the flex duct does not interfere with damper operation. Refer to UL Fire Resistance Directory Vol. I for details on UL Floor/Ceiling Design No.'s L528, L546, L550, L558, L562, L574, L576, L579, L581, L583, L585, L592, M501, M503, M526 and Roof/Ceiling Design No.'s P531, P533, P538, P545, P547, P549, P552, P570 and P580. 1 Hour Fire Rated Assemblies.

Max. Opening Size: 12" x 12" (305 x 305).

Underwriters Laboratories file #R9660 and #R1319.



Dimensions are in inches (mm).



Houston, Texas
Tel: 281-590-1172
Fax: 281-590-3086

Las Vegas, Nevada
Tel: 702-648-5400
Fax: 702-638-0400

Toronto, Canada
Tel: 416-744-3300
Fax: 416-744-3360

Calgary, Canada
Tel: 403-279-8619
Fax: 403-279-5035

INSTALLATION INSTRUCTIONS

CEILING RADIATION DAMPER

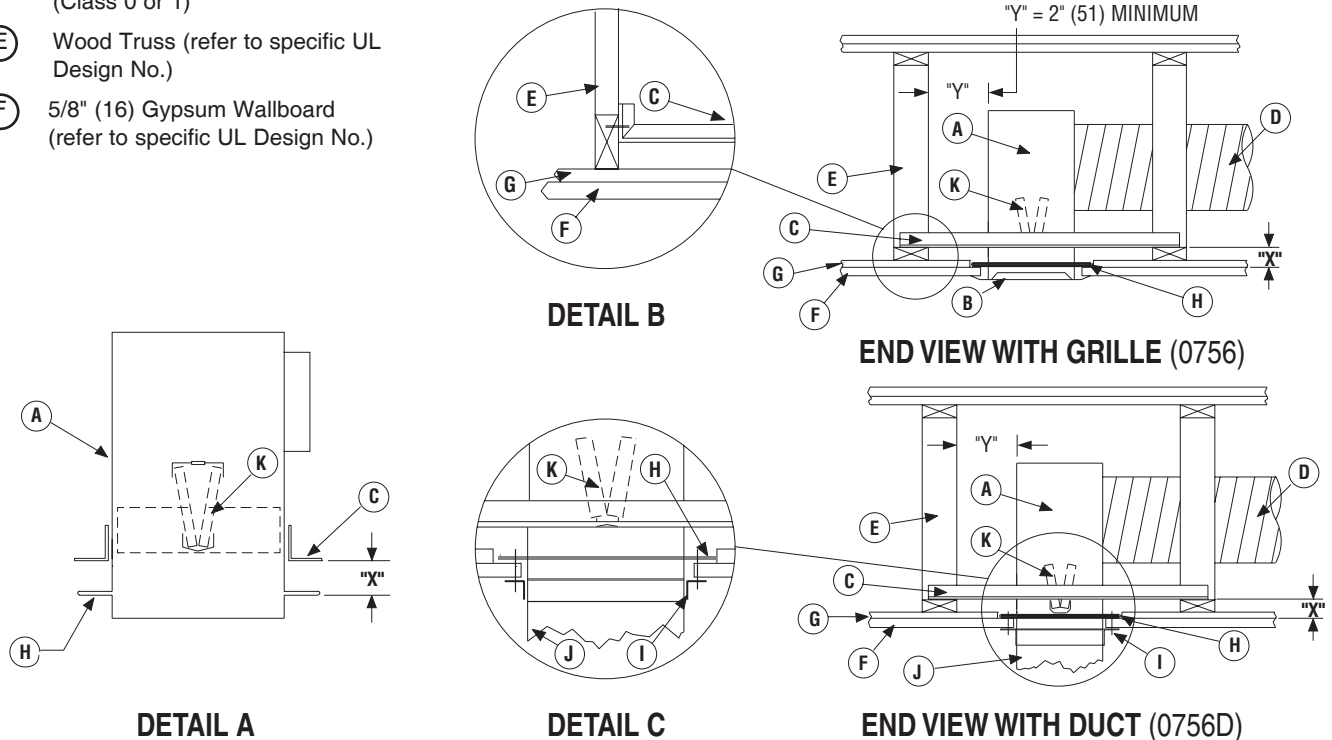
FOR USE IN WOOD TRUSS ASSEMBLIES

UL DESIGN NUMBERS L528, L546, L550, L558, L562, L574, L576, L579, L581, L583, L585, M501, M503, P531, P533, P538, P545, P547, P552

MODELS: 0756, 0756D

- (A) Steel Plenum, minimum 26 ga. (0.55)
- (B) Steel frame Grille/Diffuser, 26 ga. (0.55) minimum, see note 6
- (C) 3/4" x 3/4" x 16 ga. (19 x 19 x 1.61) or 1 1/2" x 1 1/2" x 22 ga. (19 x 19 x 0.85) Support Angle (2 sides), see notes 2 & 3
- (D) Flex Duct UL Classified Air Duct (Class 0 or 1)
- (E) Wood Truss (refer to specific UL Design No.)
- (F) 5/8" (16) Gypsum Wallboard (refer to specific UL Design No.)

- (G) RC Channel
- (H) Plaster flange
- (I) 1" x 1" x 22 ga. (25 x 25 x .85) Retaining Angle (min.) on all 4 sides
- (J) Air Duct
- (K) Ceiling Damper (1 or 2 blades, or curtain type)



NOTES:

- Before installing, open damper blades and install fusible link between spring loaded wire clips. Do not bend or deform clips after assembly. If dampers are provided with link tabs instead of wire clips, install link and bend tabs to secure link in position.
- Attach 3/4" x 3/4" x 16 ga. (19 x 19 x 1.61) or 1 1/2" x 1 1/2" x 22 ga. (38 x 38 x 0.85) support angles to steel plenum with a minimum of two #8 screws or 3/16" (5) dia. steel pop rivets or spot welds each side. Distance from bottom of angle to bottom of plaster flange (X) should be the combined thickness of the wood truss member and the RC channel (See Detail A). **Make sure fasteners do not interfere with damper operation.**
- Install assembly between trusses as shown in End View and attach support angles to truss lower members using 1 1/4" (32) long type S steel screws or similar. See Detail C for alternate end view with duct (0756D). See Detail B for alternate support angle attachment method. Minimum clearance (Dimension "Y") between damper assembly and wood truss is 2" (51).
- Ceiling penetrations should be located between adjacent trusses and RC channels. If required, a maximum of one RC channel may be cut or notched to enable proper damper location. The clearance between the damper assembly and the cutout in the ceiling material shall be a maximum of 1/8" (3) on any side.
- Flex duct shall be UL Classified Air Duct Class 0 or Class 1 and shall be attached to the plenum collar with steel clamps, plastic straps, or minimum 18 gauge steel wire.
- The grille/diffuser frame shall be 26 gauge (0.55) minimum steel and shall be attached with a minimum of two #8 x 1 1/4" (32) min. screws through the ceiling material and into the plaster flange.
- Refer to UL Fire Resistance Directory Vol. I for details on UL Floor/Ceiling Design No.'s L528, L546, L550, L558, L562, L574, L576, L579, L581, L583, L585, M501, M503 and Roof/Ceiling Design No.'s P531, P533, P538, P545, P547 and P552, 1 Hour Fire Rating. Max. Opening Size 16" W x 12" H (406 x 305). May be 18" W x 18" H (457 x 457) with radiation damper at ceiling level.

Dimensions are in inches (mm).



Houston, Texas
Tel: 281-590-1172
Fax: 281-590-3086

Las Vegas, Nevada
Tel: 702-648-5400
Fax: 702-638-0400

Toronto, Canada
Tel: 416-744-3300
Fax: 416-744-3360

Calgary, Canada
Tel: 403-279-8619
Fax: 403-279-5035