



**FIRE RATED OPEN FACE PLENUM DIFFUSER  
(LAY-IN CEILINGS)  
FOR USE WITH LINEAR TYPE DIFFUSERS  
3 HOUR RATING  
MODEL SERIES: 5200 TYPE S OR L**



**DESCRIPTION:**

1. The 5200 Series is a UL Classified fire rated Air Terminal Unit listed in Underwriters Laboratories Fire Resistance Directory.

All diffusers are classified for use in UL/ULC restrained or unrestrained floor/ceiling and or roof/ceiling assemblies which incorporate an exposed grid suspended ceiling (lay-in T-bar) with up to a 3 hour rating. For details of fire rated assemblies, see the current UL or ULC Fire Resistance Directory.

2. The 5200 Series provides flexibility in that a variety of steel or aluminum grilles, registers or linear type slot diffusers and bar grilles may be used.

Model 5200L features a flat leg and are for lay-in type cores.

Model 5200S features a hemmed leg and are for surface mounting of a grille or diffuser with Type C concealed mounting straps.

3. A max. of 20 lineal ft. (6096) of 2" (51) wide throat opening, 10 lineal ft. (3048) of 4" (102) wide throat opening, or 5 lineal ft. (1524) of 6" (152) and 8" (203) width throat opening is allowed for each 113 sq. inch (72,903 mm<sup>2</sup>) duct outlet area permitted in specific design.

4. Standard nominal lengths: 20", 24", 30", 36", 48" and 60" to suit imperial ceiling grids. 500, 600, 750, 900, 1200 and 1500 mm to suit metric grids.

5. Plenum casing width W (throat): Dimension is variable and fabricated to suit required grille or diffuser.

Minimum = 1 11/16" (43).

Maximum = 8" (203).

6. Available inlet sizes:

Round: 5", 6", 7" and 8" (127, 152, 178 and 203).

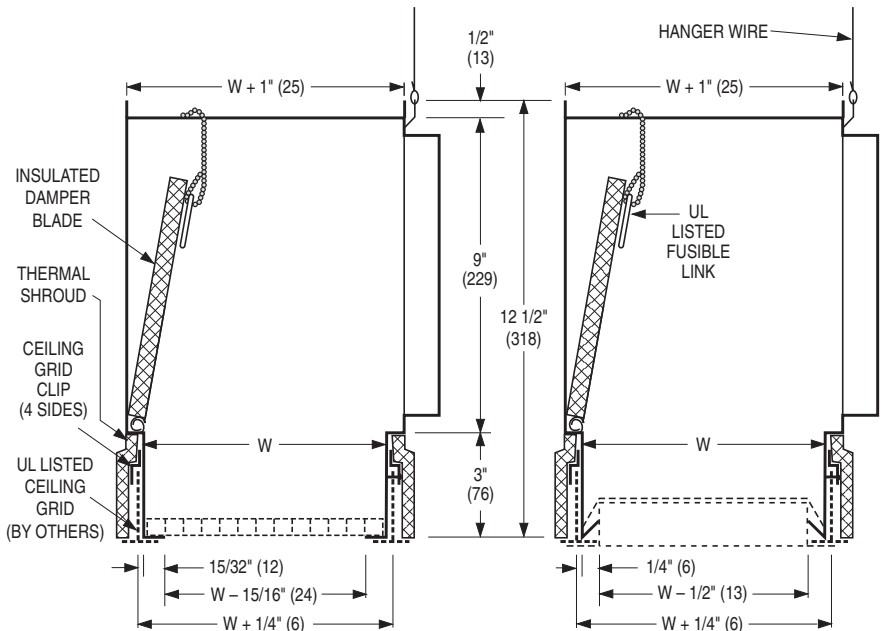
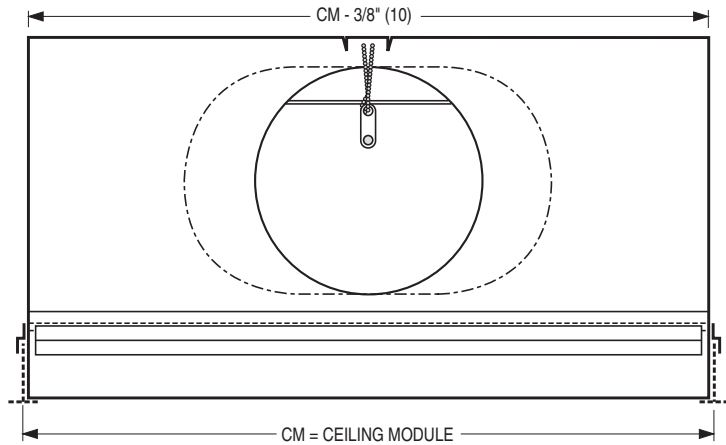
Flat oval: 9", 10" and 12" (229, 254 and 305).

7. 212°F (100°C) fusible link is standard.

8. Material: Corrosion-resistant steel for plenum and damper blades. Non-asbestos UL Classified insulation.

9. Standard Finish: BK Black on exposed surfaces.

For installation instructions, see IOM-FRPINST.



**TYPE L**

Flat leg for lay-in diffuser core.

**TYPE S**

Hemmed leg for surface mount diffuser with concealed mounting brackets.

**SCHEDULE TYPE:**

**PROJECT:**

**ENGINEER:**

**CONTRACTOR:**

Dimensions are in inches (mm).

**DATE**

**B SERIES**

**SUPERSEDES**

**DRAWING NO.**

11 - 12 - 15

5200

5 - 11 - 15

5200-1