



PLENUM SLOT DIFFUSER
SUPPLY • ADJUSTABLE
"WIPER BLADE" PATTERN CONTROLLERS
MODEL: 5750, 5775, 5710 AND 5715

DESCRIPTION:

1. The 5700 Series Plenum Slot Ceiling Diffusers have been designed for standard lay-in T-Bar ceiling grid applications. They integrate and blend with the suspended grid, so offering an extremely unobtrusive method of air distribution.

2. The 5700 Series incorporates an extruded aluminum adjustable pattern controller. The direction of airflow is adjustable from the face through a full 180°. The controller incorporates a soft gasket seal that seats against the inside of the plenum casing or center tee on multi-slot models in the horizontal setting, ensuring a tight projection of air across the ceiling. The horizontal pattern is maintained throughout a wide range of cataloged air volumes from maximum to minimum flow. They offer the discerning engineer and architect premium quality construction and design features, making them an excellent choice for VAV applications. Factory furnished center tees are dropped below diffuser face to match the ceiling grid.

Standard nominal lengths: 20", 24", 30", 36", 48" and 60" to suit imperial ceiling grids. 500, 600, 750, 900, 1200 and 1500 mm to suit metric grids.

Slot width: Choice of 1/2", 3/4", 1" and 1 1/2" (13, 19, 25 and 38).

Number of slots: Choice of 1, 2, 3 or 4 slot configurations.

Standard inlet sizes: 6", 8", 10" and 12" (152, 203, 254 and 305). Other sizes are available.

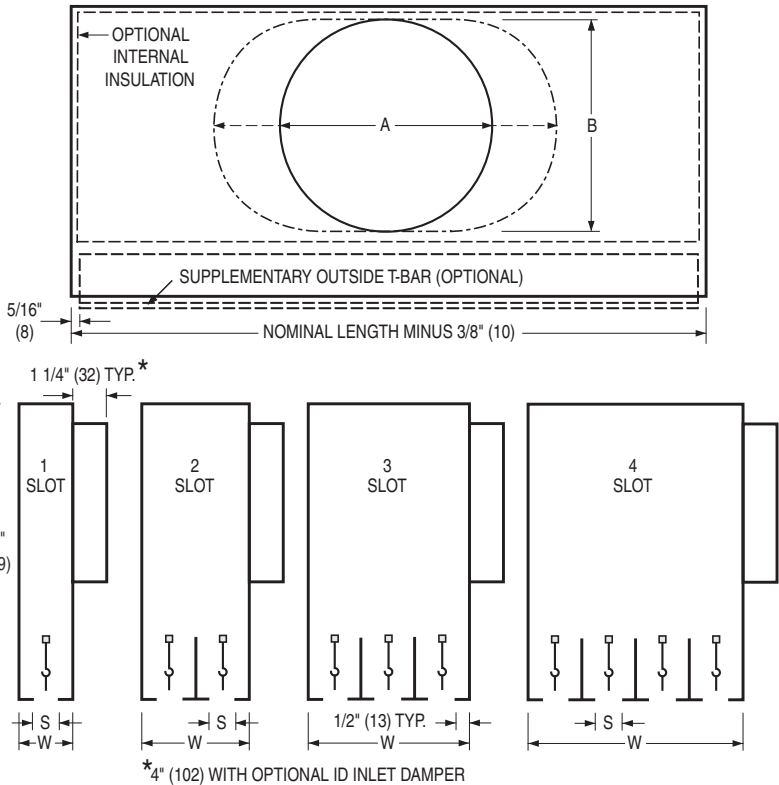
4. The pattern controller is split mid-way on units 36" (900) long and over. This allows a 2-way opposite blow pattern from a single slot.

5. Material: Corrosion resistant steel for plenum, pattern controllers and center tees.

6. Standard Finish:
 BK Black pattern controllers and exposed surfaces.
 AW Appliance White on center T-bars.

OPTIONS:

- 1. EX External Foil Back Insulation
- 2. Internal Insulation
 - a. Model 5750I Model 5710I
 - Model 5775I Model 5715I
 - b. FGI 1/4" (6) Coated Fiberglass (standard)
 - FFI 3/8" (10) Fiber-free foam
- 3. ID Inlet Damper
- 4. CN Cross Notch. Bisects diffuser length to allow a 48" (1200) unit to install in a 2' x 2' (600 x 600) grid.
- 5. PF Plaster Frame
- 6. Supplementary T-Bars
 - T1 One (inlet side)
 - T0 One (opposite inlet side)
 - T2 Two (both sides)
- 7. Mounting Clips
 - M1 One side (2 opposite inlet side)
 - M2 Both sides (4)
- 8. SP Special features _____ .



- MODEL 5750**
1/2" (13) Slot width
- MODEL 5775**
3/4" (19) Slot width
- MODEL 5710**
1" (25) Slot width
- MODEL 5715**
1 1/2" (38) Slot width

		S Slot Width			
		1/2" (13)	3/4" (19)	1" (25)	1 1/2" (38)
W Width	1 Slot	1 1/2" (38)	1 3/4" (44)	2" (51)	2 1/2" (64)
	2 Slot	3" (76)	3 1/2" (89)	4" (102)	5" (127)
	3 Slot	4 1/2" (114)	5 1/4" (133)	6" (152)	7 1/2" (191)
	4 Slot	6" (152)	7" (178)	8" (203)	10" (254)

		Nominal Inlet Size			
		6" (152) Round	8" (203) Round	10" (254) Oval	12" (305) Oval
A	5 7/8" (149)	7 7/8" (200)	11" (279)	14 1/8" (359)	
B	—	—	7 7/8" (200)	7 7/8" (200)	

SCHEDULE TYPE:		Dimensions are in inches (mm).			
PROJECT:					
ENGINEER:	DATE	B SERIES	SUPERSEDES	DRAWING NO.	
CONTRACTOR:	3 - 1 - 16	5700	11 - 11 - 13	5700-1	



PLENUM SLOT DIFFUSER
RETURN AIR UNIT WITH LIGHT BARRIER
MODEL: 5750R, 5775R, 5710R AND 5715R

DESCRIPTION:

1. The 5700R Series is designed as a matching return unit to complement the Series 5700 supply unit. They return room air to the ceiling plenum in ductless return applications.

2. The 5700R Series has been especially designed to integrate with standard lay-in T-bar ceiling grids.

Standard nominal lengths: 20", 24", 30", 36", 48" and 60" to suit imperial ceiling grids. 500, 600, 750, 900, 1200 and 1500 mm to suit metric grids.

Slot width: Choice of 1/2", 3/4", 1" and 1 1/2" (13, 19, 25 and 38).

Number of slots: Choice of 1, 2, 3 or 4 slot configurations.

3. Barrier stops light from ceiling plenum and also prevents see through.

4. Material: Corrosion resistant steel for plenum and center T-bars.

Factory furnished center tees are dropped below diffuser face to match the ceiling grid.

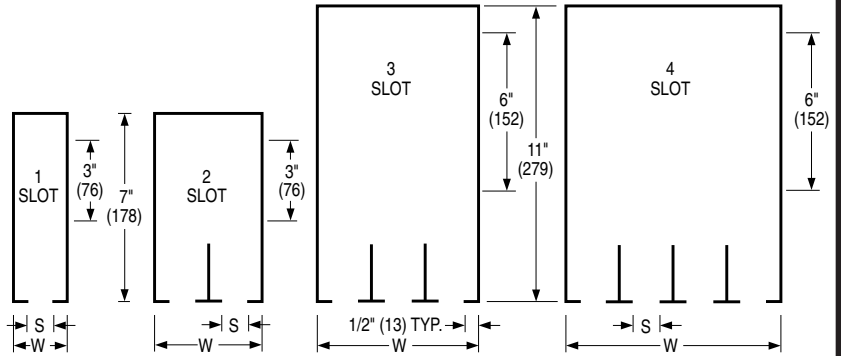
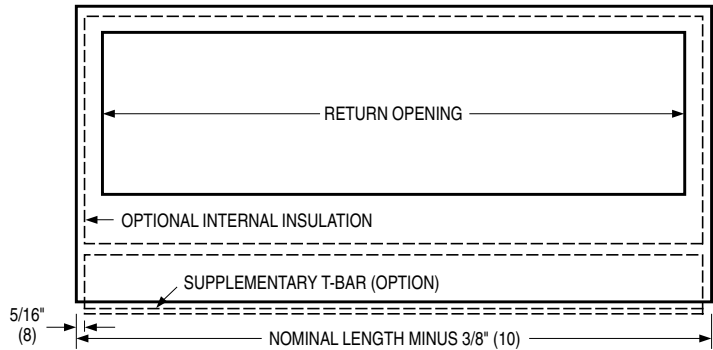
5. Standard Finish:

BK Black on exposed surfaces.

AW Appliance White on center T-bars.

OPTIONS:

- 1. EX External Foil Back Insulation
- 2. Internal Insulation
 - a. Model 5750RI Model 5710RI
 - Model 5775RI Model 5715RI
 - b. FGI 1/4" (6) Coated Fiberglass (standard)
 - FFI 3/8" (10) Fiber-free foam
- 3. CN Cross Notch. Bisects diffuser length to allow a 48" (1200) unit to install in a 2' x 2' (600 x 600) grid.
- 4. PF Plaster Frame
- 5. Supplementary T-Bars
 - T1 One (inlet side)
 - T0 One (opposite inlet side)
 - T2 Two (both sides)
- 6. Mounting Clips
 - M1 One side (2 opposite inlet side)
 - M2 Both sides (4)
- 7. SP Special features _____ .



- MODEL 5750R**
1/2" (13) Slot width
- MODEL 5775R**
3/4" (19) Slot width
- MODEL 5710R**
1" (25) Slot width
- MODEL 5715R**
1 1/2" (38) Slot width

		S Slot Width			
		1/2" (13)	3/4" (19)	1" (25)	1 1/2" (38)
W Width	1 Slot	1 1/2" (38)	1 3/4" (44)	2" (51)	2 1/2" (64)
	2 Slot	3" (76)	3 1/2" (89)	4" (102)	5" (127)
	3 Slot	4 1/2" (114)	5 1/4" (133)	6" (152)	7 1/2" (191)
	4 Slot	6" (152)	7" (178)	8" (203)	10" (254)

SCHEDULE TYPE:

PROJECT:

ENGINEER:

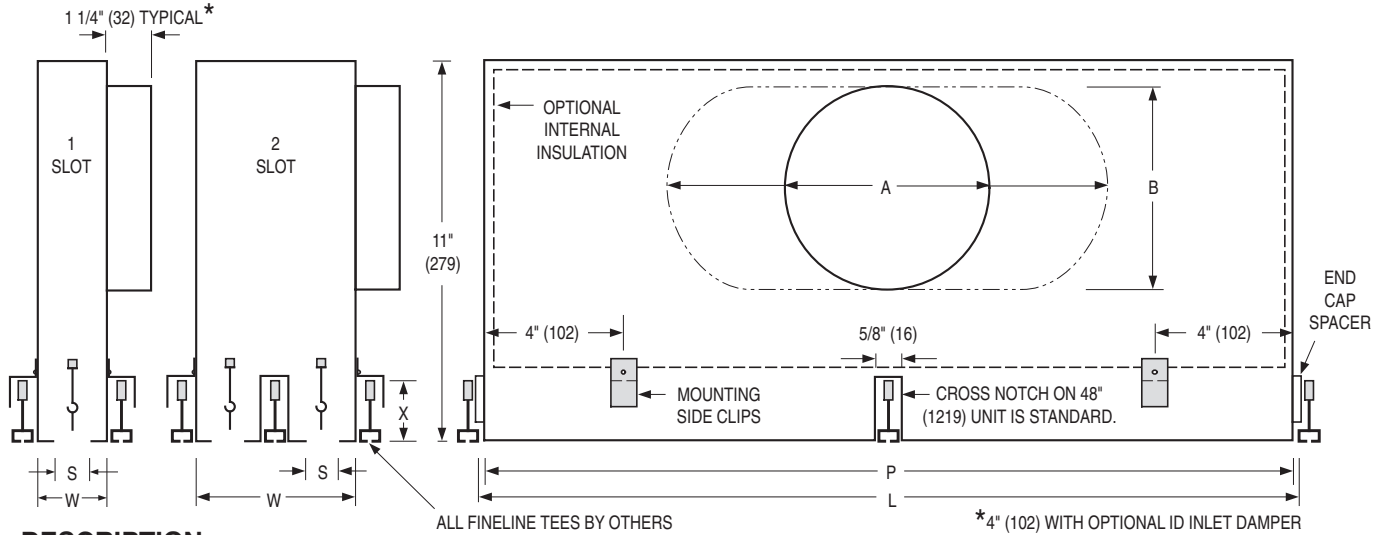
CONTRACTOR:

Dimensions are in inches (mm).

DATE	B SERIES	SUPERSEDES	DRAWING NO.
1 - 30 - 17	5700	8 - 5 - 16	5700-2



**PLENUM SLOT DIFFUSER
FOR NARROW REGRESSED T-BAR CEILING SYSTEMS
ADJUSTABLE PATTERN CONTROLLERS
MODELS: 5775-F, 5710-F AND 5715-F**



DESCRIPTION:

1. The 5700-F Series is a flexible, high performance plenum slot diffuser and an excellent choice for VAV applications.

2. The 5700-F Series has been specially developed to integrate with and complement 'Fineline®' type suspended ceiling grids.

Available in 24" (600) or 48" (1200) nominal lengths to suit both imperial and metric ceiling grids. A choice of three slot widths and one or two slot configurations are available.

The single slot units are for installation alongside a main T-Bar runner. Two slot units incorporate a center hat channel and are designed to straddle longitudinally a main T-Bar runner.

3. The 5700-F Series incorporates an extruded aluminum adjustable pattern controller. The direction of airflow is adjustable from the face through a full 180°. The controller incorporates a soft gasket seal that seats against the inside of the plenum casing or center channel in the horizontal setting, ensuring a tight projection of air across the ceiling from maximum to minimum flow rates. The pattern controller can also be set for vertical airflow.

4. Pattern controller is split mid-way on 48" (1219) units and allows a 2-way opposite blow pattern from a single slot.

5. Material: Corrosion resistant steel.

6. Finish: AW Appliance White on T-Bars.
BK Black pattern controllers and exposed surfaces.

SPECIFIED T-BAR: A C D

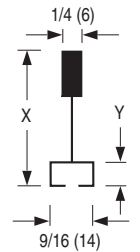
OPTIONS:

1. EX External Foil Back Insulation
2. Internal Insulation
 - a. Model 5775I-F Model 5710I-F Model 5715I-F
 - b. FGI 1/4" (6) Coated Fiberglass (standard)
 FFI 3/8" (10) Fiber-free foam
3. ID Inlet Damper
4. CN Cross Notch. For 48" (1219) nominal length diffusers. The vast majority of ceiling systems utilize a 2' x 2' (610 x 610) grid and require this option.
 No Cross Notch on 48" (1219) units.

Fineline® is a registered trademark of USG Interiors Inc.

Imperial Ceiling Modules (inches)

Nominal Length	Overall Length L	Plenum Length P
24	23 3/4	23 3/8
48	47 3/4	47 3/8



Metric Ceiling Modules (mm)

Nominal Length	Overall Length L	Plenum Length P
600	594	584
1200	1194	1184

Model	S Slot Width	Width W	
		1 Slot	2 Slot
5775-F	3/4" (19)	1 3/4" (44)	4 1/8" (105)
5710-F	1" (25)	2" (51)	4 5/8" (117)
5715-F	1 1/2" (38)	2 1/2" (64)	5 5/8" (143)

T-Bar Type (Manufacturer)	X	Y
A Chicago Metallic Ultraline	1 3/4" (44)	5/16" (8)
C Certainteed Smoothline	1 5/8" (41)	5/16" (8)
D Donn Fineline	1 25/32" (45)	5/16" (8)

	Nominal Inlet Size			
	6" (152) Round	8" (203) Round	10" (254) Oval	12" (305) Oval
A	5 7/8" (149)	7 7/8" (200)	11" (279)	14 1/8" (359)
B	—	—	7 7/8" (200)	7 7/8" (200)

SCHEDULE TYPE:

PROJECT:

ENGINEER:

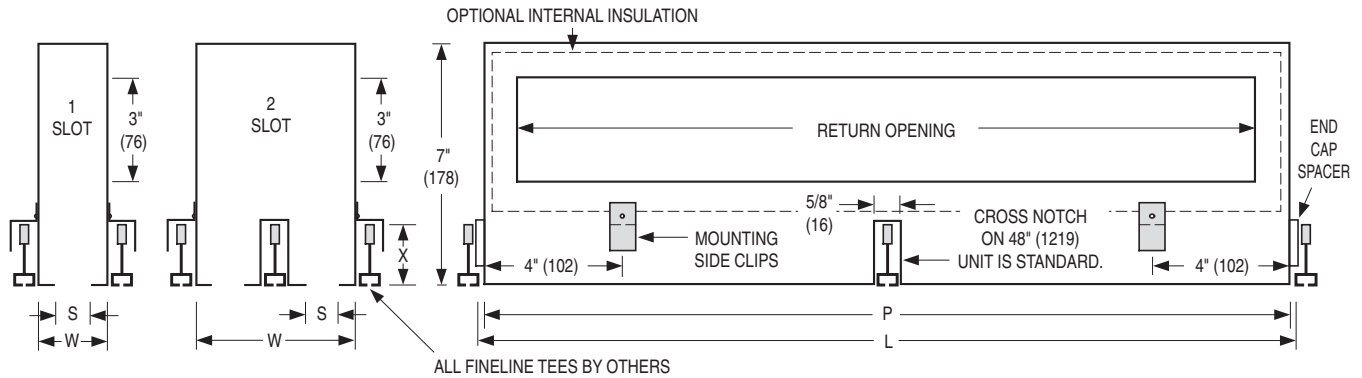
CONTRACTOR:

Dimensions are in inches (mm).

DATE	B SERIES	SUPERSEDES	DRAWING NO.
3 - 1 - 16	5700	8 - 1 - 15	5700-F1



**PLENUM SLOT DIFFUSER
FOR NARROW REGRESSED T-BAR CEILING SYSTEMS
RETURN AIR UNIT WITH LIGHT BARRIER
MODELS: 5775R-F, 5710R-F AND 5715R-F**



DESCRIPTION:

1. The 5700R-F Series is designed as a matching return unit to complement the 5700-F Series supply unit.
2. The 5700R-F Series has been specially developed to integrate with and complement 'Fineline®' type suspended ceiling grids.

Available in 24" (600) or 48" (1200) nominal lengths to suit both imperial and metric ceiling grids. A choice of three slot widths and one or two slot configurations are available.

The single slot units are for installation alongside a main T-Bar runner. Two slot units incorporate a center hat channel and are designed to straddle longitudinally a main T-Bar runner.

3. Light barrier blocks light from ceiling plenum and also prevents see-through.
4. Material: Corrosion resistant steel.
5. Finish: BK Black on exposed surfaces.

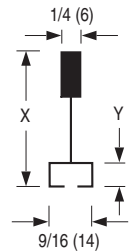
SPECIFIED T-BAR: A C D

OPTIONS:

1. EX External Foil Back Insulation
2. Internal Insulation
 - a. Model 5775RI-F Model 5710RI-F Model 5715RI-F
 - b. FGI 1/4" (6) Coated Fiberglass (standard)
 FFI 3/8" (10) Fiber-free foam
3. CN Cross Notch. For 48" (1219) nominal length diffusers.
The vast majority of ceiling systems utilize a 2' x 2' (610 x 610) grid and require this option.
 No Cross Notch on 48" (1219) units.

Imperial Ceiling Modules (inches)

Nominal Length	Overall Length L	Plenum Length P
24	23 3/4	23 3/8
48	47 3/4	47 3/8



Metric Ceiling Modules (mm)

Nominal Length	Overall Length L	Plenum Length P
600	594	584
1200	1194	1184

Model	S Slot Width	Width W	
		1 Slot	2 Slot
5775R-F	3/4" (19)	1 3/4" (44)	4 1/8" (105)
5710R-F	1" (25)	2" (51)	4 5/8" (117)
5715R-F	1 1/2" (38)	2 1/2" (64)	5 5/8" (143)

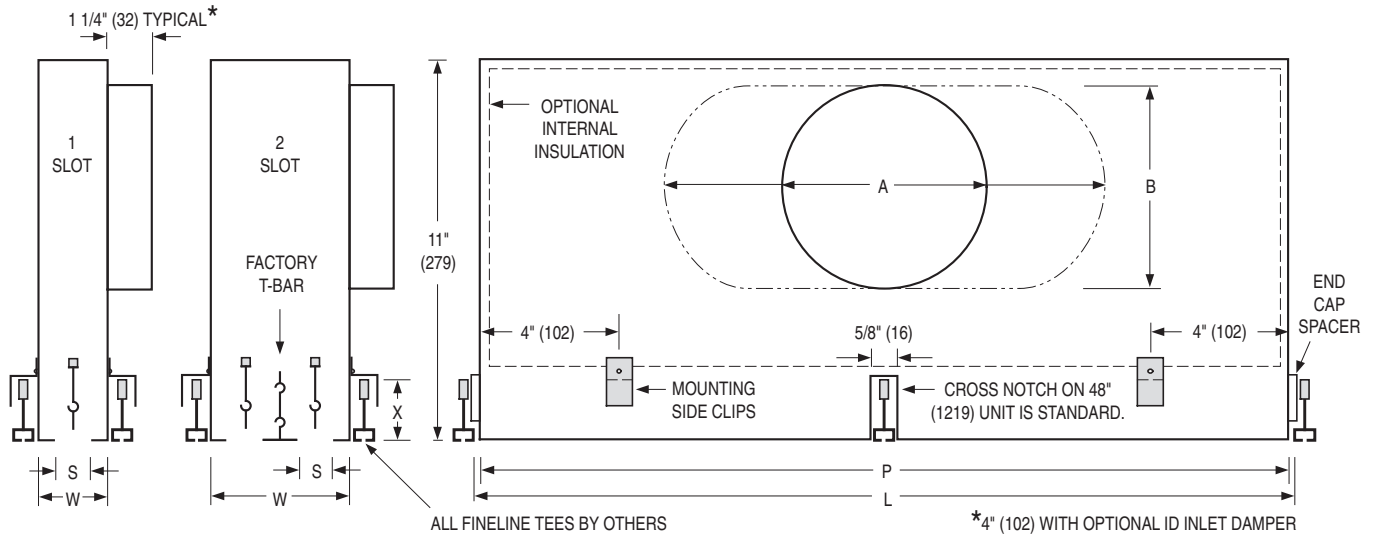
T-Bar Type (Manufacturer)		X	Y
A	Chicago Metallic Ultraline	1 3/4" (44)	5/16" (8)
C	Certaiteed Smoothline	1 5/8" (41)	5/16" (8)
D	Donn Fineline	1 25/32" (45)	5/16" (8)

Fineline® is a registered trademark of USG Interiors Inc.

SCHEDULE TYPE:		Dimensions are in inches (mm).			
PROJECT:					
ENGINEER:	DATE	B SERIES	SUPERSEDES	DRAWING NO.	
CONTRACTOR:	8 - 1 - 15	5700	11 - 11 - 13	5700-F2	



**PLENUM SLOT DIFFUSER
FOR NARROW REGRESSED T-BAR CEILING SYSTEMS
ADJUSTABLE PATTERN CONTROLLERS
MODELS: 5775-F2, 5710-F2 AND 5715-F2**



DESCRIPTION:

1. The 5700-F2 Series is a flexible, high performance plenum slot diffuser and an excellent choice for VAV applications.
2. The 5700-F2 Series has been especially developed to integrate with and complement 'Fineline®' type suspended ceiling grids.

Available in 24" (600) or 48" (1200) nominal lengths to suit both imperial and metric ceiling grids. A choice of three slot widths and one, two, three or four slot configurations are available.

The single slot units are for installation alongside an existing main T-Bar runner. Multi-slot units incorporate factory installed 1" (25) flat face T-bars.

3. The 5700-F2 Series incorporates an extruded aluminum adjustable pattern controller. The direction of airflow is adjustable from the face through a full 180°. The controller incorporates a soft gasket seal that seats against the inside of the plenum casing or factory supplied T-Bar in the horizontal setting, ensuring a tight projection of air across the ceiling from maximum to minimum flow rates. The pattern controller can also be set for vertical airflow.

4. Pattern controller is split mid-way on 48" (1219) units and allows a 2-way opposite blow pattern from a single slot.

5. Material: Corrosion resistant steel.

6. Finish: AW Appliance White on T-Bars.
BK Black pattern controllers and exposed surfaces.

SPECIFIED T-BAR: A C D

OPTIONS:

1. EX External Foil Back Insulation
2. Internal Insulation
 - a. Model 5775I-F2 Model 5710I-F2 Model 5715I-F2
 - b. FGI 1/4" (6) Coated Fiberglass (standard)
 FFI 3/8" (10) Fiber-free foam
3. ID Inlet Damper
4. CN Cross Notch. For 48" (1219) nominal length diffusers.
The vast majority of ceiling systems utilize a 2' x 2' (610 x 610) grid and require this option.
 No Cross Notch on 48" (1219) units.

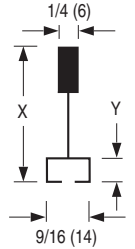
Fineline® is a registered trademark of USG Interiors Inc.

Imperial Ceiling Modules (inches)

Nominal Length	Overall Length L	Plenum Length P
24	23 3/4	23 3/8
48	47 3/4	47 3/8

Metric Ceiling Modules (mm)

Nominal Length	Overall Length L	Plenum Length P
600	594	584
1200	1194	1184



Model	S Slot Width	Width W			
		1 Slot	2 Slot	3 Slot	4 Slot
5775-F2	3/4" (19)	1 3/4" (44)	3 1/2" (89)	5 1/4" (133)	7" (178)
5710-F2	1" (25)	2" (51)	4" (102)	6" (152)	8" (203)
5715-F2	1 1/2" (38)	2 1/2" (64)	5" (127)	7 1/2" (191)	10" (254)

T-Bar Type (Manufacturer)	X	Y
A Chicago Metallic Ultraline	1 3/4" (44)	5/16" (8)
C Certainteed Smoothline	1 5/8" (41)	5/16" (8)
D Donn Fineline	1 25/32" (45)	5/16" (8)

	Nominal Inlet Size			
	6" (152) Round	8" (203) Round	10" (254) Oval	12" (305) Oval
A	5 7/8" (149)	7 7/8" (200)	11" (279)	14 1/8" (359)
B	—	—	7 7/8" (200)	7 7/8" (200)

SCHEDULE TYPE:

PROJECT:

ENGINEER:

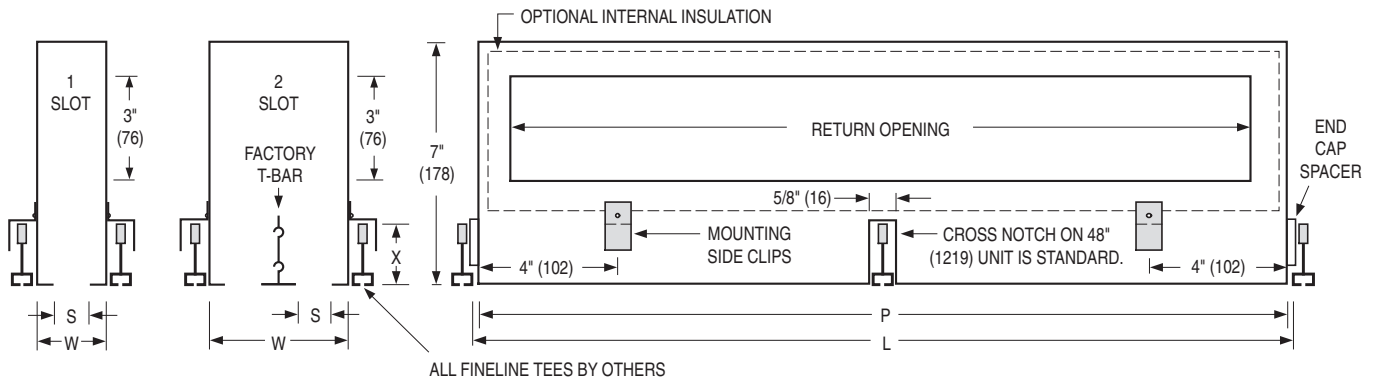
CONTRACTOR:

Dimensions are in inches (mm).

DATE	B SERIES	SUPERSEDES	DRAWING NO.
3 - 1 - 16	5700	8 - 1 - 15	5700-F3



**PLENUM SLOT DIFFUSER
FOR NARROW REGRESSED T-BAR CEILING SYSTEMS
RETURN AIR UNIT WITH LIGHT BARRIER
MODELS: 5775R-F2, 5710R-F2 AND 5715R-F2**



DESCRIPTION:

1. The 5700R-F2 Series is designed as a matching return unit to complement the 5700-F2 Series supply unit.

2. The 5700R-F2 Series has been specially developed to integrate with and complement 'Fineline®' type suspended ceiling grids.

Available in 24" (600) or 48" (1200) nominal lengths to suit both imperial and metric ceiling grids. A choice of three slot widths and one, two, three or four slot configurations are available.

The single slot units are for installation alongside a main T-Bar runner. Multi-slot units incorporate factory installed 1" (25) flat face T-Bars.

3. Light barrier blocks light from ceiling plenum and also prevents see-through.

4. Material: Corrosion resistant steel.

5. Finish: AW Appliance White on T-Bars.
BK Black on exposed surfaces.

SPECIFIED T-BAR: A C D
OPTIONS:

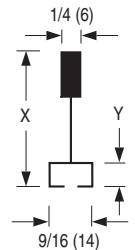
- 1. EX External Foil Back Insulation
- 2. Internal Insulation
 - a. Model 5775RI-F2 Model 5710RI-F2
 Model 5715RI-F2
 - b. FGI 1/4" (6) Coated Fiberglass (standard)
 FFI 3/8" (10) Fiber-free foam
- 3. CN Cross Notch. For 48" (1219) nominal length diffusers. The vast majority of ceiling systems utilize a 2' x 2' (610 x 610) grid and require this option.
 No Cross Notch on 48" (1219) units.

Imperial Ceiling Modules (inches)

Nominal Length	Overall Length L	Plenum Length P
24	23 3/4	23 3/8
48	47 3/4	47 3/8

Metric Ceiling Modules (mm)

Nominal Length	Overall Length L	Plenum Length P
600	594	584
1200	1194	1184



Model	S Slot Width	Width W			
		1 Slot	2 Slot	3 Slot	4 Slot
5775R-F2	3/4" (19)	1 3/4" (44)	3 1/2" (89)	5 1/4" (133)	7" (178)
5710R-F2	1" (25)	2" (51)	4" (102)	6" (152)	8" (203)
5715R-F2	1 1/2" (38)	2 1/2" (64)	5" (127)	7 1/2" (191)	10" (254)

T-Bar Type (Manufacturer)		X	Y
A	Chicago Metallic Ultralite	1 3/4" (44)	5/16" (8)
C	Certaiteed Smoothline	1 5/8" (41)	5/16" (8)
D	Donn Fineline	1 25/32" (45)	5/16" (8)

Fineline® is a registered trademark of USG Interiors Inc.

SCHEDULE TYPE:		Dimensions are in inches (mm).			
PROJECT:					
ENGINEER:	DATE	B SERIES	SUPERSEDES	DRAWING NO.	
CONTRACTOR:	8 - 1 - 15	5700	11 - 11 - 13	5700-F4	



PLENUM SLOT DIFFUSER ACCESSORIES (OPT.)
MODEL SERIES: 5600, 5700 AND 5800 – SUPPLY
5600R, 5700R AND 5800R – RETURN

PF Slot Diffuser Plaster Frame

The PF Plaster Frame, for plenum slot diffusers enables the installation of Lay-in T-Bar style diffusers to be installed in drywall or plaster ceilings. Installation of the frame in the ceiling is by others.

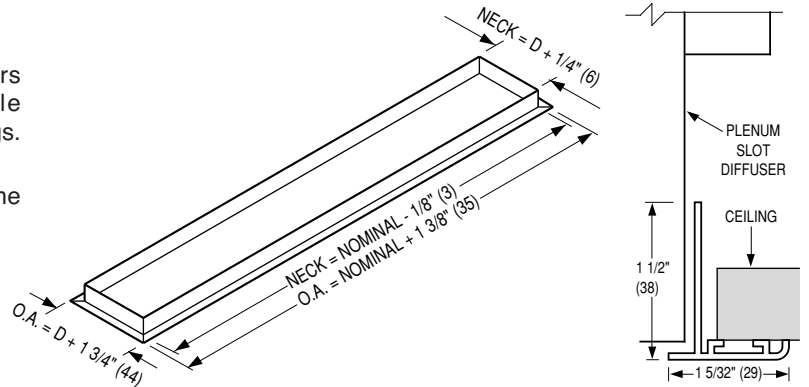
(Note: Diffuser will not fit through a plaster frame opening).

Material: Extruded aluminum with mitered corners.

Recommended Ceiling Opening dimensions:

Width = Diffuser Width (D) + 1/2" (13)

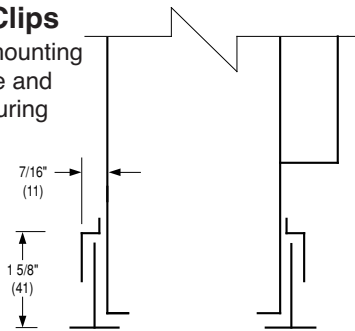
Length = Nominal Diffuser Length + 1/4" (6)



T-Bar Mounting Clips

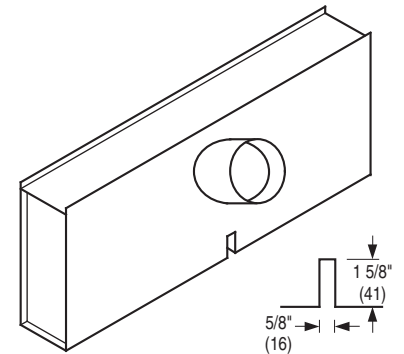
The factory installed mounting clips assist to reinforce and stabilize the plenum during and after installation.

- M1 One Side**
(2 supplied opposite inlet side)
- M2 Both sides**
(4 total supplied)



CN Cross Notch

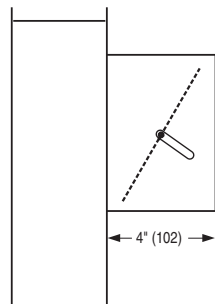
The CN Cross Notch option allows a 48" (1200) plenum unit to be installed in a 24" x 24" (600 x 600) ceiling grid. Available on both supply and return models.



ID Inlet Damper

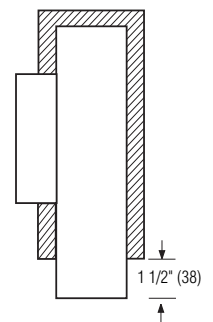
(Supply models only)

This single blade damper is an economical factory installed option that permits air balancing of the device at the plenum inlet. Ceiling access is required.



EX External Foil Back Insulation

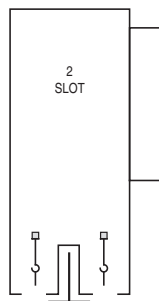
1/2" (13) thick fiberglass blanket with a reinforced aluminum foil scrim-kraft (FSK) facing that provides a vapor barrier. The insulation is wrapped around the outside of the plenum. It is an option on all non-insulated models.



ST Straddle T-Bar

The ST Straddle T-Bar option is a center channel that allows the plenum to straddle the T-Bar.

It is an option on both 2 or 4 slot units. (The T-Bar is supplied by others.)

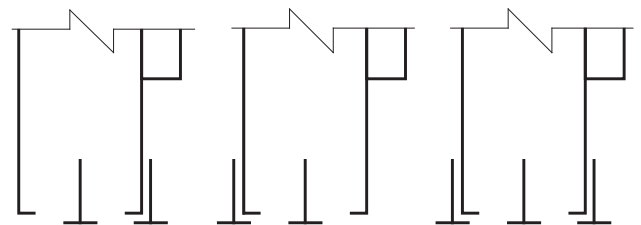


Supplementary T-Bars

- T1** One on inlet side
- T0** One opposite inlet side
- T2** Two on both sides

As standard, multiple slot plenums include factory installed center T-Bars.

However, if required, supplementary T-Bars can be ordered as an optional accessory for either one side or both sides of the plenum.



SCHEDULE TYPE:

PROJECT:

ENGINEER:

CONTRACTOR:

Dimensions are in inches (mm).

DATE

B SERIES

SUPERSEDES

DRAWING NO.

4 - 19 - 18

56/57/5800

4 - 28 - 14

PSD-A

PERFORMANCE DATA • MODEL SERIES 5700R

MODEL: 5775R(I)

3/4" (19) Slot • 24" (610) Long

1 Slot	Airflow, CFM	30	45	60	75	90	105	120	135	150
	Negative Static Pressure	.010	.021	.038	.059	.085	.116	.152	.192	.238
	Noise Criteria	–	–	–	–	18	22	26	29	32
2 Slot	Airflow, CFM	60	90	120	150	180	210	240	270	300
	Negative Static Pressure	.010	.021	.038	.059	.085	.116	.152	.192	.238
	Noise Criteria	–	–	–	15	21	25	29	32	35

3/4" (19) Slot • 48" (1219) Long

1 Slot	Airflow, CFM	60	90	120	150	180	210	240	270	300
	Negative Static Pressure	.010	.021	.038	.059	.085	.116	.152	.192	.238
	Noise Criteria	–	–	–	–	18	22	26	29	32
2 Slot	Airflow, CFM	120	180	240	300	360	420	480	540	600
	Negative Static Pressure	.010	.021	.038	.059	.085	.116	.152	.192	.238
	Noise Criteria	–	–	–	15	21	25	29	32	35

MODEL: 5710R(I)

1" (25) Slot • 24" (610) Long

1 Slot	Airflow, CFM	40	60	80	100	120	140	160	180	200
	Negative Static Pressure	.010	.021	.038	.059	.085	.116	.152	.192	.238
	Noise Criteria	–	–	–	–	18	22	26	29	32
2 Slot	Airflow, CFM	80	120	160	200	240	280	320	360	400
	Negative Static Pressure	.010	.021	.038	.059	.085	.116	.152	.192	.238
	Noise Criteria	–	–	–	15	21	25	29	32	35

1" (25) Slot • 48" (1219) Long

1 Slot	Airflow, CFM	80	120	160	200	240	280	320	360	400
	Negative Static Pressure	.010	.021	.038	.059	.085	.116	.152	.192	.238
	Noise Criteria	–	–	–	–	18	22	26	29	32
2 Slot	Airflow, CFM	160	240	320	400	480	560	640	720	800
	Negative Static Pressure	.010	.021	.038	.059	.085	.116	.152	.192	.238
	Noise Criteria	–	–	–	15	21	25	29	32	35

MODEL: 5715R(I)

1 1/2" (38) Slot • 24" (610) Long

1 Slot	Airflow, CFM	60	90	120	150	180	210	240	270	300
	Negative Static Pressure	.010	.021	.038	.059	.085	.116	.152	.192	.238
	Noise Criteria	–	–	–	–	18	22	26	29	32
2 Slot	Airflow, CFM	120	180	240	300	360	420	480	540	600
	Negative Static Pressure	.010	.021	.038	.059	.085	.116	.152	.192	.238
	Noise Criteria	–	–	–	15	21	25	29	32	35

1 1/2" (38) Slot • 48" (1219) Long

1 Slot	Airflow, CFM	120	180	240	300	360	420	480	540	600
	Negative Static Pressure	.010	.021	.038	.059	.085	.116	.152	.192	.238
	Noise Criteria	–	–	–	–	18	22	26	29	32
2 Slot	Airflow, CFM	240	360	480	600	720	840	960	1080	1200
	Negative Static Pressure	.010	.021	.038	.059	.085	.116	.152	.192	.238
	Noise Criteria	–	–	–	15	21	25	29	32	35

Performance Notes:

1. Neg. Static Pressure is in inches w.g..
2. Noise Criteria [NC] values based on 10 dB room absorption, re 10⁻¹² watts.
3. Dash (-) in space indicates an Noise Criteria level of less than 15.
4. Data derived from tests conducted in accordance with ANSI/ASHRAE Standard 70–2006.

PERFORMANCE DATA • MODEL SERIES 5700

MODEL: 5710(I) • 1" (25) SLOT WIDTH

1 Slot • 24" (610) Long

6" Round Inlet	Airflow, CFM	20	40	60	80	100	120	140
	Total Pressure	.006	.025	.056	.099	.155	.223	.304
	Static Pressure	.005	.018	.041	.072	.113	.162	.221
	Noise Criteria	–	–	18	24	31	37	41
	Throw	1-2-8	5-7-13	7-10-16	10-13-19	12-15-21	13-16-23	14-17-25
8" Round Inlet	Airflow, CFM	30	55	80	105	130	155	180
	Total Pressure	.012	.039	.083	.144	.220	.313	.422
	Static Pressure	.011	.038	.080	.138	.211	.300	.404
	Noise Criteria	–	–	20	26	34	38	43
	Throw	3-6-11	7-10-16	10-13-19	12-16-22	13-16-23	14-17-25	16-19-28
10" Round Inlet	Airflow, CFM	50	75	100	125	150	175	200
	Total Pressure	.025	.057	.101	.158	.228	.311	.406
	Static Pressure	.025	.056	.099	.155	.222	.303	.396
	Noise Criteria	–	15	23	30	35	39	41
	Throw	6-8-14	9-12-18	12-15-21	13-16-23	14-17-25	16-19-28	18-21-30

1 Slot • 48" (1219) Long

6" Round Inlet	Airflow, CFM	50	75	100	125	150	175	200
	Total Pressure	.016	.036	.064	.100	.143	.195	.255
	Static Pressure	.012	.027	.047	.074	.107	.145	.190
	Noise Criteria	–	–	19	26	32	36	40
	Throw	4-7-13	7-11-16	9-13-18	12-15-20	13-16-23	14-17-25	15-18-26
8" Round Inlet	Airflow, CFM	70	100	130	160	190	220	250
	Total Pressure	.021	.042	.072	.108	.153	.205	.265
	Static Pressure	.018	.037	.063	.095	.135	.180	.233
	Noise Criteria	–	15	22	28	33	36	41
	Throw	7-11-16	9-13-18	12-13-21	13-16-23	15-18-26	16-19-27	17-20-28
10" Oval Inlet	Airflow, CFM	80	115	150	185	220	255	290
	Total Pressure	.025	.051	.087	.132	.186	.250	.323
	Static Pressure	.023	.048	.082	.124	.176	.236	.305
	Noise Criteria	–	15	23	30	34	38	42
	Throw	8-12-17	12-14-20	13-16-23	14-17-25	16-19-27	17-20-28	18-22-31
12" Oval Inlet	Airflow, CFM	110	150	190	230	270	310	350
	Total Pressure	.037	.069	.110	.162	.223	.294	.372
	Static Pressure	.035	.066	.105	.154	.212	.280	.357
	Noise Criteria	–	17	22	29	33	37	40
	Throw	11-14-17	13-16-23	15-18-26	16-20-28	17-21-30	18-23-32	20-24-34

1 Slot • 60" (1524) Long

6" Round Inlet	Airflow, CFM	70	100	130	160	190	220	250
	Total Pressure	.027	.054	.092	.139	.196	.263	.339
	Static Pressure	.019	.038	.064	.085	.138	.185	.238
	Noise Criteria	–	17	24	30	37	39	42
	Throw	5-8-13	6-11-16	10-13-18	11-14-20	12-15-22	13-16-23	14-17-25
8" Round Inlet	Airflow, CFM	80	115	150	185	220	255	290
	Total Pressure	.022	.045	.076	.116	.164	.221	.285
	Static Pressure	.018	.038	.065	.098	.139	.187	.242
	Noise Criteria	–	15	22	27	32	37	40
	Throw	6-9-13	9-12-16	11-13-19	12-15-21	13-16-23	14-17-25	15-19-26
10" Oval Inlet	Airflow, CFM	110	150	190	230	270	310	350
	Total Pressure	.033	.061	.098	.143	.197	.260	.331
	Static Pressure	.030	.055	.089	.130	.179	.236	.301
	Noise Criteria	–	18	25	30	35	38	42
	Throw	9-12-16	11-13-19	12-15-21	13-16-24	14-18-25	16-19-27	17-21-29
12" Oval Inlet	Airflow, CFM	160	200	240	280	320	360	400
	Total Pressure	.068	.107	.154	.209	.273	.346	.427
	Static Pressure	.065	.101	.146	.198	.259	.328	.405
	Noise Criteria	–	20	25	30	34	37	40
	Throw	11-14-19	13-16-22	14-17-24	15-18-26	16-19-28	17-21-30	18-22-32

See page C70 for performance data notes.

PLENUM SLOT AND LIGHT TROFFER DIFFUSERS

PERFORMANCE DATA • MODEL SERIES 5700

MODEL: 5710(I) • 1" (25) SLOT WIDTH

2 Slot • 24" (610) Long

6" Round Inlet	Airflow, CFM	50	75	100	125	150	175	200
	Total Pressure	.016	.036	.064	.100	.144	.196	.256
	Static Pressure	.012	.026	.046	.073	.105	.142	.186
	Noise Criteria	–	15	22	27	32	36	38
	Throw	2-6-13	6-10-19	9-13-21	11-17-24	14-19-26	16-20-28	18-21-30
8" Round Inlet	Airflow, CFM	70	100	130	160	190	220	250
	Total Pressure	.021	.043	.072	.109	.154	.207	.267
	Static Pressure	.018	.037	.063	.095	.135	.186	.233
	Noise Criteria	–	15	22	27	32	36	40
	Throw	5-9-18	9-13-21	11-17-24	14-19-26	16-20-28	18-21-30	19-23-32
10" Round Inlet	Airflow, CFM	90	125	160	195	230	265	300
	Total Pressure	.032	.061	.100	.149	.207	.274	.352
	Static Pressure	.030	.057	.094	.140	.194	.258	.330
	Noise Criteria	–	16	24	30	35	38	41
	Throw	8-12-19	11-16-23	14-19-26	16-20-28	18-22-30	20-24-32	22-25-33

2 Slot • 48" (1219) Long

6" Round Inlet	Airflow, CFM	80	115	150	185	220	255	290
	Total Pressure	.025	.051	.086	.131	.185	.249	.322
	Static Pressure	.014	.029	.050	.076	.107	.144	.186
	Noise Criteria	–	–	16	23	29	35	40
	Throw	3-6-14	4-10-20	8-14-25	11-18-28	13-20-30	16-23-33	19-25-36
8" Round Inlet	Airflow, CFM	85	110	140	175	220	285	360
	Total Pressure	.019	.033	.053	.083	.131	.219	.349
	Static Pressure	.015	.025	.041	.064	.101	.170	.271
	Noise Criteria	–	–	–	15	22	29	37
	Throw	3-6-16	4-10-20	7-13-24	11-16-27	14-20-30	18-24-34	22-27-38
10" Oval Inlet	Airflow, CFM	110	140	180	230	290	370	430
	Total Pressure	.021	.033	.055	.090	.143	.233	.315
	Static Pressure	.018	.029	.048	.079	.126	.205	.276
	Noise Criteria	–	–	–	20	27	35	40
	Throw	4-10-21	7-13-25	11-18-28	14-22-32	19-25-36	24-29-40	25-31-43
12" Oval Inlet	Airflow, CFM	110	140	180	225	285	365	465
	Total Pressure	.016	.025	.042	.066	.105	.172	.280
	Static Pressure	.014	.023	.039	.060	.097	.159	.258
	Noise Criteria	–	–	–	16	23	31	39
	Throw	5-11-22	7-14-25	12-18-28	13-20-30	19-25-36	23-28-37	25-31-44

2 Slot • 60" (1524) Long

6" Round Inlet	Airflow, CFM	70	115	160	205	250	295	340
	Total Pressure	.019	.050	.097	.159	.237	.329	.437
	Static Pressure	.010	.027	.052	.086	.127	.177	.235
	Noise Criteria	–	–	19	26	32	36	38
	Throw	3-5-12	6-9-17	9-12-19	11-16-22	14-18-25	15-19-27	16-20-28
8" Round Inlet	Airflow, CFM	90	150	210	270	330	390	450
	Total Pressure	.016	.044	.086	.142	.212	.297	.395
	Static Pressure	.011	.032	.062	.102	.153	.214	.284
	Noise Criteria	–	–	15	23	30	35	40
	Throw	4-7-15	8-12-19	12-16-23	15-18-26	16-20-28	18-22-31	19-23-33
10" Oval Inlet	Airflow, CFM	160	225	290	355	420	485	550
	Total Pressure	.031	.060	.100	.151	.211	.281	.361
	Static Pressure	.024	.048	.080	.120	.168	.224	.288
	Noise Criteria	–	15	22	29	34	39	43
	Throw	8-12-19	12-16-23	15-19-26	17-21-30	19-23-32	20-24-34	21-26-37
12" Oval Inlet	Airflow, CFM	220	300	380	460	540	620	700
	Total Pressure	.036	.066	.106	.155	.214	.282	.360
	Static Pressure	.029	.054	.087	.127	.175	.231	.294
	Noise Criteria	–	19	26	32	37	41	44
	Throw	12-16-23	15-19-26	18-22-31	19-23-33	21-25-36	22-27-38	24-29-41

See page C70 for performance data notes.

PERFORMANCE DATA • MODEL SERIES 5700

MODEL: 5710(I) • 1" (25) SLOT WIDTH

3 Slot • 24" (610) Long

6" Round Inlet	Airflow, CFM	90	120	150	180	210	240	270
	Total Pressure	.040	.071	.112	.161	.219	.286	.362
	Static Pressure	.028	.049	.077	.110	.150	.196	.248
	Noise Criteria	–	15	21	27	32	36	40
	Throw	4-8-15	6-10-20	8-12-24	10-14-28	12-18-30	14-20-32	15-21-34
8" Round Inlet	Airflow, CFM	120	160	200	240	280	320	360
	Total Pressure	.048	.073	.112	.154	.219	.277	.346
	Static Pressure	.036	.059	.087	.121	.165	.210	.278
	Noise Criteria	–	15	21	27	31	36	40
	Throw	5-9-18	8-13-24	10-16-30	12-19-32	14-22-35	17-25-37	19-27-40
10" Round Inlet	Airflow, CFM	160	210	260	310	360	410	460
	Total Pressure	.042	.072	.111	.158	.212	.276	.347
	Static Pressure	.037	.064	.098	.140	.189	.245	.308
	Noise Criteria	–	15	22	28	32	36	40
	Throw	8-12-25	10-16-29	12-20-33	14-24-37	16-28-40	18-30-42	22-32-45

3 Slot • 48" (1219) Long

6" Round Inlet	Airflow, CFM	80	120	160	200	240	280	320
	Total Pressure	.016	.037	.066	.103	.148	.202	.264
	Static Pressure	.008	.018	.032	.050	.072	.098	.128
	Noise Criteria	–	–	16	23	29	34	38
	Throw	1-2-6	2-3-11	3-6-15	4-10-19	6-11-22	8-13-24	10-15-26
8" Round Inlet	Airflow, CFM	175	225	275	325	375	425	475
	Total Pressure	.042	.071	.114	.153	.208	.260	.323
	Static Pressure	.038	.045	.076	.099	.127	.166	.209
	Noise Criteria	–	15	21	27	31	35	40
	Throw	3-7-17	5-11-21	8-13-23	10-16-25	12-18-27	14-20-29	15-22-31
10" Oval Inlet	Airflow, CFM	225	300	375	450	525	600	675
	Total Pressure	.044	.078	.121	.175	.238	.310	.393
	Static Pressure	.033	.059	.092	.132	.180	.235	.298
	Noise Criteria	–	16	23	29	34	38	42
	Throw	5-11-21	10-14-24	12-18-27	14-21-30	17-23-32	19-24-34	21-26-36
12" Oval Inlet	Airflow, CFM	280	360	440	520	600	680	760
	Total Pressure	.046	.076	.114	.159	.211	.272	.339
	Static Pressure	.038	.062	.093	.130	.173	.222	.277
	Noise Criteria	–	15	21	27	31	35	40
	Throw	9-14-23	12-18-27	14-22-30	16-24-32	19-26-34	22-28-36	25-30-39

3 Slot • 60" (1524) Long

6" Round Inlet	Airflow, CFM	80	120	180	240	280	340	390
	Total Pressure	.023	.051	.115	.204	.278	.410	.540
	Static Pressure	.012	.028	.063	.111	.152	.224	.294
	Noise Criteria	–	–	17	25	30	36	39
	Throw	2-3-11	4-9-17	8-13-21	11-16-24	13-18-26	16-20-29	17-22-31
8" Round Inlet	Airflow, CFM	140	200	260	320	380	440	500
	Total Pressure	.022	.045	.077	.116	.163	.219	.283
	Static Pressure	.012	.024	.041	.062	.088	.118	.152
	Noise Criteria	–	–	17	23	29	34	38
	Throw	4-7-15	6-9-19	9-12-22	11-15-25	14-18-28	17-20-31	20-23-34
10" Oval Inlet	Airflow, CFM	200	280	360	440	520	600	680
	Total Pressure	.028	.054	.090	.134	.188	.250	.321
	Static Pressure	.020	.038	.063	.095	.132	.176	.226
	Noise Criteria	–	–	18	25	30	35	39
	Throw	7-10-21	10-12-23	12-15-26	14-17-29	17-20-32	19-23-35	22-26-37
12" Oval Inlet	Airflow, CFM	250	350	430	520	610	700	800
	Total Pressure	.031	.061	.092	.135	.186	.245	.320
	Static Pressure	.025	.048	.073	.107	.147	.194	.253
	Noise Criteria	–	–	18	24	29	33	37
	Throw	11-17-25	16-21-29	19-23-32	21-25-36	22-27-39	24-29-41	25-31-44

See page C70 for performance data notes.

PLENUM SLOT AND LIGHT TROFFER DIFFUSERS

PERFORMANCE DATA • MODEL SERIES 5700

MODEL: 5710(I) • 1" (25) SLOT WIDTH

4 Slot • 24" (610) Long

6" Round Inlet	Airflow, CFM	60	100	140	180	220	260	300
	Total Pressure	.014	.039	.077	.127	.190	.265	.353
	Static Pressure	.008	.023	.045	.074	.111	.155	.207
	Noise Criteria	–	–	16	24	31	36	38
	Throw	2-3-12	2-5-14	4-10-20	7-13-25	10-15-31	12-18-34	13-20-35
8" Round Inlet	Airflow, CFM	150	200	250	300	350	400	450
	Total Pressure	.046	.081	.127	.183	.249	.326	.412
	Static Pressure	.034	.061	.095	.137	.187	.244	.309
	Noise Criteria	–	16	23	29	34	38	42
	Throw	5-10-20	8-13-27	11-17-32	13-20-35	15-23-38	17-26-40	19-29-43
10" Round Inlet	Airflow, CFM	175	250	325	400	450	500	550
	Total Pressure	.038	.078	.132	.199	.252	.311	.377
	Static Pressure	.032	.066	.111	.169	.213	.264	.319
	Noise Criteria	–	16	24	31	34	38	41
	Throw	7-12-24	12-18-33	16-25-39	19-28-42	21-31-44	23-33-47	26-35-49

4 Slot • 48" (1219) Long

6" Round Inlet	Airflow, CFM	140	170	200	230	260	290	320
	Total Pressure	.053	.078	.108	.143	.182	.227	.276
	Static Pressure	.044	.066	.091	.120	.153	.191	.232
	Noise Criteria	–	–	20	24	28	31	35
	Throw	2-5-13	3-7-16	4-10-19	6-11-21	7-12-23	8-14-25	9-16-27
8" Round Inlet	Airflow, CFM	200	250	300	350	400	450	500
	Total Pressure	.046	.073	.105	.142	.186	.235	.290
	Static Pressure	.025	.040	.057	.078	.102	.129	.159
	Noise Criteria	–	15	21	26	30	34	37
	Throw	3-7-17	5-10-21	7-13-24	9-15-26	11-17-28	13-19-30	15-21-32
10" Oval Inlet	Airflow, CFM	250	330	410	490	570	650	730
	Total Pressure	.041	.072	.111	.158	.214	.278	.351
	Static Pressure	.028	.048	.075	.107	.144	.188	.237
	Noise Criteria	–	15	22	28	33	37	40
	Throw	5-10-21	8-14-25	12-17-28	14-21-31	16-24-34	18-25-36	20-27-38
12" Oval Inlet	Airflow, CFM	275	375	475	575	675	775	875
	Total Pressure	.034	.063	.101	.148	.204	.269	.343
	Static Pressure	.025	.047	.075	.110	.152	.200	.255
	Noise Criteria	–	15	20	26	31	36	40
	Throw	7-13-25	12-17-28	14-21-32	17-24-34	20-26-37	22-28-39	24-30-42

4 Slot • 60" (1524) Long

6" Round Inlet	Airflow, CFM	100	160	200	265	315	370	425
	Total Pressure	.020	.051	.080	.140	.198	.273	.360
	Static Pressure	.004	.009	.015	.026	.037	.051	.067
	Noise Criteria	–	–	17	26	29	34	38
	Throw	1-3-10	1-3-11	2-4-13	3-7-17	5-11-19	6-12-20	8-14-22
8" Round Inlet	Airflow, CFM	200	250	300	350	400	450	500
	Total Pressure	.036	.057	.082	.111	.145	.184	.227
	Static Pressure	.016	.025	.036	.048	.063	.080	.099
	Noise Criteria	–	–	18	23	27	30	33
	Throw	2-4-13	3-7-17	4-9-18	6-12-20	7-13-21	10-16-23	12-18-25
10" Oval Inlet	Airflow, CFM	225	325	425	525	625	725	825
	Total Pressure	.023	.049	.084	.128	.181	.243	.315
	Static Pressure	.015	.031	.053	.081	.114	.154	.199
	Noise Criteria	–	15	20	27	33	37	41
	Throw	2-5-16	6-12-20	9-15-22	12-17-24	14-19-26	16-21-28	18-23-30
12" Oval Inlet	Airflow, CFM	300	400	500	600	700	800	900
	Total Pressure	.032	.057	.089	.128	.174	.228	.288
	Static Pressure	.023	.041	.063	.091	.124	.162	.206
	Noise Criteria	–	–	18	24	29	34	37
	Throw	4-10-19	7-13-21	11-17-24	13-18-26	16-20-28	17-21-30	18-23-32

See page C70 for performance data notes.

PERFORMANCE DATA NOTES:

Model Series 5700

Performance Data Notes:

1. Throws are given at 150, 100 and 50 fpm terminal velocities under isothermal conditions.
2. All pressures are in inches w.g..
3. Cataloged throws are for a one-way horizontal air pattern. For divided airflow, deduce the airflow in each direction according to the number of slots, with the total airflow apportioned between the slots. Look up throw for the airflow in each direction according to the number of slots in that direction.
4. Noise Criteria [NC] values are based on a room absorption of 10 dB, re 10^{-12} watts. Dash (-) in space denotes an Noise Criteria level less than 15.
5. Data derived from tests conducted in accordance with ANSI/ASHRAE Standard 70 – 2006.

Models 59ND(I),59NDR(I)

Performance Data Notes:

1. Throws are given at 150, 100 and 50 fpm terminal velocities under isothermal conditions.
2. All pressures are in inches w.g..
3. Tested with one-way fixed horizontal discharge in the direction of the inlet and center down-blow deflector full open. Straight flexible duct connection.
4. Noise Criteria [NC] values are based on a room absorption of 10 dB, re 10^{-12} watts. Dash (-) in space denotes an Noise Criteria level less than 15.
5. Data derived from independent tests conducted in accordance with ANSI/ASHRAE Standard 70-2006.

PERFORMANCE DATA • MODEL SERIES 5700

MODEL: 5715(I) • 1 1/2" (38) SLOT WIDTH

1 Slot • 24" (610) Long

	Airflow, CFM	30	50	70	90	110	130	150
6" Round Inlet	Total Pressure	.014	.038	.075	.124	.185	.258	.344
	Static Pressure	.012	.034	.067	.111	.166	.232	.308
	Noise Criteria	–	–	–	22	28	33	38
	Throw	2-3-18	4-9-15	6-10-16	10-14-20	11-15-22	12-16-24	14-17-25
8" Round Inlet	Airflow, CFM	50	70	90	110	130	150	170
	Total Pressure	.028	.054	.089	.133	.186	.248	.318
	Static Pressure	.026	.051	.085	.127	.177	.236	.303
	Noise Criteria	–	16	17	23	29	33	37
Throw	4-8-15	6-10-16	10-14-20	11-15-22	12-16-24	14-17-25	16-19-27	
10" Round Inlet	Airflow, CFM	70	90	110	130	150	170	190
	Total Pressure	.040	.067	.100	.140	.186	.239	.298
	Static Pressure	.039	.065	.097	.133	.181	.232	.290
	Noise Criteria	–	15	20	26	30	34	38
Throw	6-10-16	10-14-20	11-15-22	12-16-24	14-17-25	16-19-27	18-20-28	

1 Slot • 48" (1219) Long

	Airflow, CFM	75	100	125	150	175	200	225
6" Round Inlet	Total Pressure	.031	.055	.086	.124	.169	.220	.279
	Static Pressure	.022	.039	.061	.087	.119	.155	.196
	Noise Criteria	–	–	15	23	27	32	36
	Throw	3-6-15	5-11-20	8-13-21	10-15-24	12-18-25	14-20-28	15-21-29
8" Round Inlet	Airflow, CFM	100	130	160	190	220	250	280
	Total Pressure	.034	.057	.087	.122	.164	.211	.265
	Static Pressure	.029	.048	.073	.103	.139	.179	.224
	Noise Criteria	–	–	19	24	29	33	37
Throw	5-11-20	9-13-22	10-16-24	13-19-27	15-21-29	17-22-32	18-25-35	
10" Oval Inlet	Airflow, CFM	120	150	180	210	240	270	300
	Total Pressure	.035	.055	.080	.109	.142	.180	.222
	Static Pressure	.032	.051	.073	.099	.130	.164	.203
	Noise Criteria	–	–	19	24	28	32	35
Throw	7-12-22	9-14-23	12-18-26	14-20-29	16-22-32	18-24-34	19-26-36	
12" Oval Inlet	Airflow, CFM	140	180	220	260	300	340	380
	Total Pressure	.036	.059	.088	.123	.164	.211	.264
	Static Pressure	.034	.056	.083	.116	.155	.199	.249
	Noise Criteria	–	16	22	28	32	36	40
Throw	9-14-23	12-18-26	14-20-29	18-24-34	19-26-36	20-27-38	21-28-40	

1 Slot • 60" (1524) Long

	Airflow, CFM	100	130	160	190	220	250	280
6" Round Inlet	Total Pressure	.044	.075	.113	.159	.214	.276	.346
	Static Pressure	.028	.047	.072	.101	.135	.175	.219
	Noise Criteria	–	–	20	25	30	32	38
	Throw	6-10-16	8-11-18	10-14-20	12-15-21	13-16-23	14-17-25	15-18-26
8" Round Inlet	Airflow, CFM	125	160	195	230	265	300	335
	Total Pressure	.041	.067	.099	.138	.183	.235	.293
	Static Pressure	.033	.054	.080	.111	.148	.189	.236
	Noise Criteria	–	–	20	25	30	34	38
Throw	8-12-17	10-14-20	12-15-21	14-17-24	15-18-25	16-19-27	17-20-28	
10" Oval Inlet	Airflow, CFM	140	180	220	260	300	340	380
	Total Pressure	.038	.063	.094	.131	.174	.224	.280
	Static Pressure	.033	.055	.082	.114	.152	.195	.244
	Noise Criteria	–	–	20	25	30	34	37
Throw	10-13-18	12-15-21	13-16-23	15-17-25	16-19-27	17-20-28	18-21-30	
12" Oval Inlet	Airflow, CFM	180	230	280	330	380	430	480
	Total Pressure	.047	.077	.114	.158	.210	.269	.335
	Static Pressure	.044	.071	.105	.146	.194	.248	.309
	Noise Criteria	–	18	24	30	34	38	42
Throw	12-15-21	14-17-24	15-18-26	16-20-28	18-21-30	19-23-32	20-24-34	

See page C70 for performance data notes.

PLENUM SLOT AND LIGHT TROFFER DIFFUSERS

PERFORMANCE DATA • MODEL SERIES 5700

MODEL: 5715(I) • 1 1/2" (38) SLOT WIDTH

2 Slot • 24" (610) Long

6" Round Inlet	Airflow, CFM	60	90	120	150	180	210	240
	Total Pressure	.021	.046	.082	.129	.185	.252	.330
	Static Pressure	.015	.033	.059	.092	.133	.181	.236
	Noise Criteria	–	–	15	23	28	33	38
	Throw	2-4-13	5-10-20	8-13-23	11-17-28	13-19-27	15-21-30	18-29-32
8" Round Inlet	Airflow, CFM	90	125	160	195	230	265	300
	Total Pressure	.029	.056	.091	.136	.189	.251	.322
	Static Pressure	.025	.048	.079	.117	.162	.215	.276
	Noise Criteria	–	–	19	25	30	35	39
	Throw	4-9-17	9-13-23	11-17-25	13-20-28	17-22-32	19-25-34	23-29-38
10" Round Inlet	Airflow, CFM	125	160	195	230	265	300	335
	Total Pressure	.053	.087	.129	.179	.238	.305	.381
	Static Pressure	.050	.081	.121	.168	.223	.286	.357
	Noise Criteria	–	16	21	26	31	35	39
	Throw	9-13-23	11-17-25	13-20-28	17-22-32	19-25-34	23-29-38	24-30-40

2 Slot • 48" (1219) Long

6" Round Inlet	Airflow, CFM	110	150	190	230	270	310	350
	Total Pressure	.043	.081	.129	.190	.261	.345	.439
	Static Pressure	.024	.044	.071	.104	.143	.189	.241
	Noise Criteria	–	–	16	22	27	31	36
	Throw	3-7-17	4-9-21	8-14-28	11-18-31	13-20-33	16-23-36	18-27-38
8" Round Inlet	Airflow, CFM	180	225	270	315	360	405	450
	Total Pressure	.060	.093	.135	.183	.239	.303	.374
	Static Pressure	.045	.070	.101	.137	.179	.226	.280
	Noise Criteria	–	–	20	26	29	34	37
	Throw	7-13-27	11-18-31	13-20-33	16-23-36	19-28-39	20-28-40	23-30-42
10" Oval Inlet	Airflow, CFM	230	280	330	380	430	480	530
	Total Pressure	.064	.095	.132	.175	.224	.280	.341
	Static Pressure	.051	.076	.106	.140	.180	.224	.273
	Noise Criteria	–	17	22	27	31	34	37
	Throw	11-18-31	14-21-34	17-26-38	19-28-39	21-29-41	24-31-43	26-32-45
12" Oval Inlet	Airflow, CFM	220	280	340	400	460	520	580
	Total Pressure	.039	.063	.093	.128	.170	.217	.270
	Static Pressure	.032	.052	.077	.107	.141	.180	.224
	Noise Criteria	–	–	20	25	29	33	37
	Throw	9-16-30	14-21-34	17-26-38	20-28-40	23-30-42	26-32-45	29-34-48

2 Slot • 60" (1524) Long

6" Round Inlet	Airflow, CFM	135	180	225	270	315	360	405
	Total Pressure	.060	.107	.167	.241	.328	.428	.542
	Static Pressure	.031	.055	.085	.123	.167	.219	.277
	Noise Criteria	–	–	17	23	28	33	40
	Throw	3-7-17	4-8-20	7-13-27	11-17-30	12-19-32	14-22-35	17-26-38
8" Round Inlet	Airflow, CFM	175	230	285	340	395	450	505
	Total Pressure	.050	.086	.132	.188	.254	.329	.415
	Static Pressure	.034	.059	.090	.128	.173	.225	.283
	Noise Criteria	–	–	18	23	27	32	36
	Throw	3-7-20	7-13-27	11-18-31	13-20-33	16-23-36	19-28-39	20-29-41
10" Oval Inlet	Airflow, CFM	215	280	345	410	475	540	585
	Total Pressure	.051	.087	.131	.185	.249	.322	.378
	Static Pressure	.040	.068	.103	.145	.195	.252	.296
	Noise Criteria	–	–	19	25	29	33	36
	Throw	7-14-28	11-18-31	14-21-34	17-26-38	19-28-39	21-29-41	23-30-42
12" Oval Inlet	Airflow, CFM	295	350	425	500	575	650	725
	Total Pressure	.054	.075	.111	.154	.203	.260	.323
	Static Pressure	.045	.063	.093	.128	.170	.217	.270
	Noise Criteria	–	15	22	27	32	35	39
	Throw	9-16-30	14-21-34	17-26-38	20-28-40	23-30-42	26-32-45	27-33-46

See page C70 for performance data notes.

10-29-20

PERFORMANCE DATA • MODEL SERIES 5700

MODEL: 5715(I) • 1 1/2" (38) SLOT WIDTH

3 Slot • 24" (610) Long

6" Round Inlet	Airflow, CFM	110	140	170	200	230	260	290
	Total Pressure	.043	.070	.103	.143	.189	.242	.301
	Static Pressure	.025	.041	.061	.084	.111	.142	.176
	Noise Criteria	–	15	21	26	31	35	40
	Throw	2-5-15	4-9-19	6-11-23	8-13-27	10-15-31	12-17-34	14-19-37
8" Round Inlet	Airflow, CFM	150	200	250	300	350	400	450
	Total Pressure	.042	.074	.115	.166	.226	.295	.374
	Static Pressure	.029	.052	.081	.116	.158	.206	.261
	Noise Criteria	–	15	22	28	33	37	41
	Throw	4-10-20	7-13-23	10-16-26	13-19-30	16-22-33	19-25-36	22-28-39
10" Round Inlet	Airflow, CFM	225	275	325	375	425	475	525
	Total Pressure	.057	.086	.120	.159	.204	.255	.312
	Static Pressure	.046	.068	.095	.127	.163	.204	.249
	Noise Criteria	–	17	23	28	32	36	40
	Throw	9-15-30	12-18-33	15-21-36	18-27-42	21-31-45	23-34-48	26-38-51

3 Slot • 48" (1219) Long

6" Round Inlet	Airflow, CFM	120	150	180	210	240	270	300
	Total Pressure	.030	.047	.068	.092	.120	.152	.188
	Static Pressure	.024	.038	.055	.075	.098	.124	.153
	Noise Criteria	–	–	–	20	24	28	36
	Throw	3-5-16	4-8-20	6-13-25	8-14-26	10-16-28	13-19-31	14-20-32
8" Round Inlet	Airflow, CFM	180	235	290	345	400	455	510
	Total Pressure	.046	.078	.118	.167	.225	.291	.366
	Static Pressure	.029	.049	.075	.106	.143	.185	.232
	Noise Criteria	–	–	18	24	28	33	36
	Throw	6-11-23	11-15-28	14-19-31	18-23-35	19-25-38	22-27-40	29-29-41
10" Oval Inlet	Airflow, CFM	270	330	390	450	510	570	630
	Total Pressure	.045	.067	.094	.125	.160	.200	.244
	Static Pressure	.030	.044	.062	.082	.106	.132	.161
	Noise Criteria	–	–	19	23	27	31	35
	Throw	14-21-34	16-24-36	19-27-37	22-28-38	24-29-41	26-31-44	27-32-46
12" Oval Inlet	Airflow, CFM	275	350	425	500	575	650	725
	Total Pressure	.030	.048	.070	.098	.129	.165	.205
	Static Pressure	.022	.035	.052	.072	.096	.122	.152
	Noise Criteria	–	–	15	20	25	29	32
	Throw	14-21-34	18-23-35	21-27-37	24-29-41	26-31-44	27-33-46	28-35-48

3 Slot • 60" (1524) Long

6" Round Inlet	Airflow, CFM	170	200	230	260	290	320	350
	Total Pressure	.053	.073	.096	.123	.153	.186	.223
	Static Pressure	.040	.055	.073	.094	.117	.142	.170
	Noise Criteria	–	15	21	25	30	35	40
	Throw	1-3-10	3-5-12	5-7-14	7-9-16	9-11-18	11-13-20	13-15-22
8" Round Inlet	Airflow, CFM	230	280	330	380	430	480	530
	Total Pressure	.046	.068	.095	.125	.161	.200	.244
	Static Pressure	.034	.051	.071	.094	.120	.149	.182
	Noise Criteria	–	15	20	24	28	32	36
	Throw	2-5-15	3-7-18	4-10-19	6-12-21	7-14-22	9-15-23	11-16-24
10" Oval Inlet	Airflow, CFM	300	375	450	525	600	675	750
	Total Pressure	.046	.072	.104	.141	.184	.233	.288
	Static Pressure	.034	.053	.076	.104	.136	.172	.212
	Noise Criteria	–	16	21	26	31	34	38
	Throw	4-8-18	6-12-21	8-14-23	11-17-24	13-18-26	14-19-28	16-21-29
12" Oval Inlet	Airflow, CFM	375	475	575	675	775	875	975
	Total Pressure	.046	.074	.108	.149	.197	.251	.312
	Static Pressure	.034	.054	.079	.109	.143	.183	.227
	Noise Criteria	–	15	21	26	31	36	40
	Throw	6-13-21	9-15-23	12-18-25	14-19-28	16-21-30	18-22-31	19-23-33

See page C70 for performance data notes.

PERFORMANCE DATA • MODEL SERIES 5700

MODEL: 5715(I) • 1 1/2" (38) SLOT WIDTH

4 Slot • 24" (610) Long

6" Round Inlet	Airflow, CFM	120	150	180	210	240	270	300
	Total Pressure	.041	.064	.093	.126	.165	.209	.258
	Static Pressure	.018	.028	.040	.055	.072	.091	.112
	Noise Criteria	–	15	20	26	31	35	39
	Throw	2-4-14	3-7-18	4-10-21	6-12-25	8-14-28	10-16-33	12-17-37
8" Round Inlet	Airflow, CFM	175	225	275	325	375	425	475
	Total Pressure	.044	.073	.109	.152	.203	.260	.325
	Static Pressure	.032	.052	.078	.109	.145	.186	.232
	Noise Criteria	–	15	21	27	31	35	40
	Throw	4-9-21	7-13-27	10-16-33	13-19-38	15-22-40	17-25-43	19-28-45
10" Oval Inlet	Airflow, CFM	225	300	375	450	525	600	675
	Total Pressure	.044	.078	.121	.175	.238	.310	.393
	Static Pressure	.033	.059	.092	.133	.181	.236	.299
	Noise Criteria	–	16	23	29	34	38	42
	Throw	7-13-27	12-18-36	15-22-40	18-27-44	21-31-48	24-36-51	27-38-54

4 Slot • 48" (1219) Long

6" Round Inlet	Airflow, CFM	160	200	240	280	320	360	400
	Total Pressure	.036	.056	.080	.109	.143	.181	.223
	Static Pressure	.029	.045	.065	.089	.116	.147	.181
	Noise Criteria	–	15	21	26	31	36	41
	Throw	1-2-10	2-4-14	3-5-17	4-7-19	5-8-22	6-9-25	7-10-28
8" Round Inlet	Airflow, CFM	230	290	350	410	470	530	590
	Total Pressure	.042	.067	.097	.133	.175	.223	.276
	Static Pressure	.031	.049	.071	.098	.128	.163	.202
	Noise Criteria	–	15	21	27	32	36	40
	Throw	2-5-16	4-8-20	5-12-24	7-14-28	9-16-30	13-19-30	15-21-32
10" Oval Inlet	Airflow, CFM	320	400	480	560	640	720	800
	Total Pressure	.045	.071	.102	.139	.182	.230	.284
	Static Pressure	.038	.060	.086	.117	.153	.194	.239
	Noise Criteria	–	16	22	27	31	36	40
	Throw	4-10-22	7-14-28	10-17-31	13-20-33	15-22-35	17-25-38	19-28-40
12" Oval Inlet	Airflow, CFM	400	500	600	700	800	900	1000
	Total Pressure	.051	.080	.115	.156	.204	.258	.318
	Static Pressure	.038	.060	.086	.117	.153	.193	.239
	Noise Criteria	–	16	22	27	32	36	40
	Throw	7-14-28	10-17-31	14-21-34	16-24-37	19-28-40	21-30-42	23-31-44

4 Slot • 60" (1524) Long

6" Round Inlet	Airflow, CFM	210	240	270	300	330	360	390
	Total Pressure	.060	.078	.099	.122	.148	.176	.206
	Static Pressure	.049	.064	.080	.099	.120	.143	.168
	Noise Criteria	15	18	22	25	26	31	33
	Throw	1-3-11	2-3-13	2-4-15	3-5-17	4-6-19	5-7-21	6-8-22
8" Round Inlet	Airflow, CFM	320	370	420	470	520	570	620
	Total Pressure	.066	.089	.114	.143	.175	.211	.249
	Static Pressure	.054	.072	.093	.116	.142	.171	.202
	Noise Criteria	15	21	24	28	32	34	37
	Throw	3-6-18	4-9-21	5-11-22	6-13-23	7-15-24	8-17-25	9-19-27
10" Oval Inlet	Airflow, CFM	340	420	500	580	660	740	820
	Total Pressure	.044	.067	.095	.128	.166	.208	.256
	Static Pressure	.037	.056	.079	.107	.138	.173	.213
	Noise Criteria	–	15	20	25	30	34	39
	Throw	3-7-19	5-11-22	7-14-24	9-16-26	12-18-27	14-20-29	16-22-31
12" Oval Inlet	Airflow, CFM	525	625	725	825	925	1025	1125
	Total Pressure	.067	.095	.128	.165	.208	.255	.307
	Static Pressure	.063	.090	.120	.156	.196	.241	.290
	Noise Criteria	15	20	25	29	33	36	40
	Throw	7-15-24	10-17-27	13-20-29	15-22-30	17-23-32	19-24-34	21-25-36

See page C70 for performance data notes.

PERFORMANCE DATA NOTES:

Model Series 5700

Performance Data Notes:

1. Throws are given at 150, 100 and 50 fpm terminal velocities under isothermal conditions.
2. All pressures are in inches w.g..
3. Cataloged throws are for a one-way horizontal air pattern. For divided airflow, deduce the airflow in each direction according to the number of slots, with the total airflow apportioned between the slots. Look up throw for the airflow in each direction according to the number of slots in that direction.
4. Noise Criteria [NC] values are based on a room absorption of 10 dB, re 10^{-12} watts. Dash (-) in space denotes an Noise Criteria level less than 15.
5. Data derived from tests conducted in accordance with ANSI/ASHRAE Standard 70 – 2006.

Models 59ND(I),59NDR(I)

Performance Data Notes:

1. Throws are given at 150, 100 and 50 fpm terminal velocities under isothermal conditions.
2. All pressures are in inches w.g..
3. Tested with one-way fixed horizontal discharge in the direction of the inlet and center down-blow deflector full open. Straight flexible duct connection.
4. Noise Criteria [NC] values are based on a room absorption of 10 dB, re 10^{-12} watts. Dash (-) in space denotes an Noise Criteria level less than 15.
5. Data derived from independent tests conducted in accordance with ANSI/ASHRAE Standard 70-2006.

Performance Data

Model Series 5700 • 1/2" (13) Slot Width

1 Slot • 24" (610) Long • Models 5750(I)

6" Round Inlet	Airflow, CFM	15	25	35	50	60	65	80
	TP	.015	.028	.043	.063	.110	.170	.290
	NC	13	20	27	35	38	41	44
	T	1-3-6	2-4-9	5-7-11	7-9-13	8-10-15	9-11-16	10-12-18

1 Slot • 48" (1219) Long • Models 5750(I)

8" Round Inlet	Airflow, CFM	30	50	70	100	120	130	160
	TP	.019	.030	.048	.081	.125	.195	.310
	NC	13	20	28	35	38	41	44
	T	3-5-10	5-8-12	7-11-15	11-13-18	12-15-21	13-16-22	14-17-24

2 Slot • 24" (610) Long • Models 5750(I)

6" Round Inlet	Airflow, CFM	30	50	70	100	120	130	160
	TP	.026	.040	.069	.121	.178	.299	.385
	NC	13	21	27	35	38	41	43
	T	1-2-5	5-8-13	7-11-16	11-13-19	12-15-21	13-16-22	14-17-24

2 Slot • 48" (1219) Long • Models 5750(I)

8" Round Inlet	Airflow, CFM	60	100	140	200	240	260	320
	TP	.031	.054	.073	.131	.193	.334	.416
	NC	14	20	27	34	39	41	44
	T	1-2-5	7-11-19	10-16-23	15-19-26	17-21-31	18-22-32	19-23-34

3 Slot • 24" (610) Long • Models 5750(I)

6" Round Inlet	Airflow, CFM	45	75	105	150	180	195	240
	TP	.051	.073	.121	.195	.294	.416	.615
	NC	14	20	26	35	39	40	44
	T	4-6-12	6-10-16	9-13-19	13-16-23	15-18-25	15-18-26	16-20-28

3 Slot • 48" (1219) Long • Models 5750(I)

8" Round Inlet	Airflow, CFM	90	150	210	300	360	390	480
	TP	.055	.091	.135	.205	.310	.425	.630
	NC	15	21	27	35	39	41	46
	T	6-9-19	9-15-25	12-20-28	19-25-35	21-27-38	22-28-40	24-32-45

4 Slot • 24" (610) Long • Models 5750(I)

6" Round Inlet	Airflow, CFM	60	100	140	200	240	260	320
	TP	.060	.095	.145	.220	.320	.550	.875
	NC	15	19	27	36	39	42	46
	T	5-7-13	7-11-19	10-16-23	16-20-28	18-22-30	20-23-32	22-25-35

4 Slot • 48" (1219) Long • Models 5750(I)

8" Round Inlet	Airflow, CFM	120	200	280	400	480	520	640
	TP	.065	.099	.161	.240	.380	.610	.910
	NC	14	20	27	35	39	41	47
	T	7-12-23	11-16-28	15-23-33	22-28-40	25-31-42	26-32-45	29-36-50

CFM - cubic feet per minute

TP - total pressure - inches w.g.

T - throw in feet

NC - Noise Criteria (values) based on 10 dB room absorption, re 10⁻¹² watts.

Performance Notes:

1. Throws are given at 150, 100 and 50 fpm terminal velocities under isothermal conditions.
2. Cataloged throws are for a one-way horizontal air pattern. For divided airflow, deduce the airflow in each direction according to the number of slots, with the total airflow apportioned between the slots. Look up throw for the airflow in each direction according to the number of slots in that direction.

3. Data derived from tests conducted in accordance with ANSI/ASHRAE Standard 70 – 2006.

Number of Slots	Ak Factor per foot	
	Supply	Return
1	.023	.023
2	.043	.043
3	.067	.067
4	.088	.088

PERFORMANCE DATA • MODEL SERIES 5700

MODEL: 5775(I) • 3/4" (19) SLOT WIDTH

1 Slot • 24" (610) Long

6" Round Inlet	Airflow, CFM	40	50	60	70	80	90	100
	Total Pressure	.032	.051	.073	.099	.130	.164	.202
	Static Pressure	.031	.048	.069	.093	.122	.154	.190
	Noise Criteria	–	–	19	24	29	32	36
	Throw	2-4-10	3-6-12	4-7-15	6-8-17	6-10-19	7-11-20	8-12-21
8" Round Inlet	Airflow, CFM	70	80	90	100	110	120	130
	Total Pressure	.073	.095	.121	.149	.180	.215	.252
	Static Pressure	.071	.093	.118	.146	.176	.210	.246
	Noise Criteria	19	23	27	30	34	36	39
	Throw	6-8-17	6-10-19	7-11-20	8-12-21	9-13-22	10-15-23	10-16-24
10" Round Inlet	Airflow, CFM	100	110	120	130	140	150	160
	Total Pressure	.124	.150	.179	.210	.243	.279	.317
	Static Pressure	.121	.147	.175	.205	.238	.273	.311
	Noise Criteria	27	30	33	36	38	40	42
	Throw	8-12-21	9-13-22	10-15-23	10-16-24	11-17-25	12-18-26	13-19-26

1 Slot • 48" (1219) Long

6" Round Inlet	Airflow, CFM	70	90	110	130	150	170	190
	Total Pressure	.040	.066	.099	.138	.184	.236	.295
	Static Pressure	.032	.054	.080	.112	.149	.191	.239
	Noise Criteria	–	18	24	30	34	38	42
	Throw	3-6-11	4-7-13	6-9-15	7-11-16	8-12-17	9-13-18	10-14-19
8" Round Inlet	Airflow, CFM	100	120	140	160	180	200	220
	Total Pressure	.054	.078	.106	.138	.175	.216	.262
	Static Pressure	.051	.073	.099	.130	.164	.203	.246
	Noise Criteria	15	20	25	30	33	37	40
	Throw	5-8-14	6-10-15	8-11-17	9-13-18	10-13-19	11-14-20	12-15-21
10" Oval Inlet	Airflow, CFM	140	160	180	200	220	240	260
	Total Pressure	.084	.109	.138	.171	.207	.246	.289
	Static Pressure	.079	.103	.130	.161	.194	.231	.271
	Noise Criteria	21	25	29	32	36	38	41
	Throw	8-11-17	9-13-18	10-13-19	11-14-20	12-15-21	13-15-22	13-26-23
12" Oval Inlet	Airflow, CFM	160	180	200	220	240	260	280
	Total Pressure	.091	.115	.142	.172	.204	.240	.278
	Static Pressure	.089	.113	.139	.168	.200	.235	.273
	Noise Criteria	22	26	29	33	35	38	40
	Throw	9-13-18	10-13-19	11-14-20	12-15-21	13-15-22	13-16-23	14-17-23

1 Slot • 60" (1524) Long

6" Round Inlet	Airflow, CFM	90	110	130	150	170	190	210
	Total Pressure	.050	.074	.104	.138	.177	.221	.270
	Static Pressure	.037	.056	.078	.104	.134	.167	.204
	Noise Criteria	–	20	25	30	34	38	41
	Throw	3-6-10	4-7-11	6-9-12	7-9-13	8-10-14	8-10-15	9-11-15
8" Round Inlet	Airflow, CFM	90	120	150	180	210	240	270
	Total Pressure	.032	.058	.090	.130	.176	.230	.292
	Static Pressure	.028	.050	.079	.114	.155	.202	.256
	Noise Criteria	–	16	23	29	34	38	42
	Throw	3-6-10	5-8-12	7-9-13	8-10-14	9-11-15	9-12-16	10-12-17
10" Oval Inlet	Airflow, CFM	120	150	180	210	240	270	300
	Total Pressure	.044	.069	.099	.135	.176	.223	.275
	Static Pressure	.040	.063	.091	.123	.161	.204	.252
	Noise Criteria	–	18	24	29	33	37	40
	Throw	5-8-12	7-9-13	8-10-14	9-11-15	9-12-16	10-12-17	11-13-18
12" Oval Inlet	Airflow, CFM	170	200	230	260	270	300	330
	Total Pressure	.074	.102	.135	.173	.187	.230	.279
	Static Pressure	.071	.099	.130	.167	.180	.222	.268
	Noise Criteria	19	24	29	32	34	37	40
	Throw	8-10-14	9-11-15	9-11-16	10-12-17	10-12-17	11-13-18	11-14-19

See page C70 for performance data notes.

PERFORMANCE DATA • MODEL SERIES 5700

MODEL: 5775(I) • 3/4" (19) SLOT WIDTH

2 Slot • 24" (610) Long

6" Round Inlet	Airflow, CFM	40	50	60	75	100	125	150
	Total Pressure	.013	.020	.029	.045	.080	.125	.180
	Static Pressure	.010	.016	.023	.036	.064	.100	.144
	Noise Criteria	–	–	–	17	26	33	39
	Throw	1-2-5	1-3-8	2-5-12	4-8-15	7-10-20	8-13-23	10-15-26
8" Round Inlet	Airflow, CFM	40	55	65	80	105	130	160
	Total Pressure	.018	.034	.047	.071	.123	.188	.284
	Static Pressure	.012	.023	.032	.049	.084	.128	.194
	Noise Criteria	–	–	12	19	27	34	41
	Throw	2-5-12	5-8-16	6-10-17	8-12-19	11-16-22	13-17-24	16-19-27
10" Round Inlet	Airflow, CFM	60	80	100	120	140	160	180
	Total Pressure	.016	.028	.043	.062	.085	.111	.140
	Static Pressure	.015	.026	.040	.058	.079	.104	.131
	Noise Criteria	–	19	24	29	32	36	40
	Throw	6-7-16	7-8-18	8-10-20	9-12-22	10-14-24	11-16-26	12-18-28

2 Slot • 48" (1219) Long

6" Round Inlet	Airflow, CFM	60	90	120	150	180	210	240
	Total Pressure	.014	.032	.057	.089	.129	.175	.229
	Static Pressure	.007	.016	.028	.045	.064	.087	.114
	Noise Criteria	–	–	15	23	28	36	40
	Throw	1-2-8	2-5-11	4-8-15	6-10-17	8-11-19	10-14-21	11-16-22
8" Round Inlet	Airflow, CFM	70	105	140	175	210	245	280
	Total Pressure	.011	.025	.044	.069	.099	.135	.177
	Static Pressure	.008	.019	.033	.052	.075	.103	.134
	Noise Criteria	–	–	16	23	29	34	39
	Throw	1-4-9	3-6-13	5-9-17	7-11-19	9-13-20	10-16-22	12-17-23
10" Oval Inlet	Airflow, CFM	90	115	145	180	230	295	320
	Total Pressure	.013	.021	.033	.052	.084	.138	.163
	Static Pressure	.011	.018	.029	.045	.073	.121	.142
	Noise Criteria	–	–	17	21	29	36	39
	Throw	2-5-11	4-7-14	5-9-17	8-11-19	10-15-21	12-17-24	14-18-25
12" Oval Inlet	Airflow, CFM	100	140	180	220	260	300	340
	Total Pressure	.012	.024	.040	.059	.083	.111	.142
	Static Pressure	.012	.023	.038	.057	.079	.105	.135
	Noise Criteria	–	18	23	27	31	35	40
	Throw	3-12-18	5-13-20	7-14-21	9-15-22	11-16-23	13-17-24	14-18-26

2 Slot • 60" (1524) Long

6" Round Inlet	Airflow, CFM	110	140	170	200	230	260	290
	Total Pressure	.035	.056	.083	.115	.152	.194	.242
	Static Pressure	.017	.027	.040	.056	.074	.094	.117
	Noise Criteria	–	15	21	27	31	35	39
	Throw	2-5-11	3-7-13	5-9-14	7-10-15	8-11-16	9-12-17	10-13-18
8" Round Inlet	Airflow, CFM	125	165	205	245	285	325	350
	Total Pressure	.028	.048	.075	.107	.144	.188	.218
	Static Pressure	.018	.031	.048	.069	.094	.122	.141
	Noise Criteria	–	15	22	28	33	37	40
	Throw	3-6-12	5-8-14	7-11-15	8-12-17	10-13-18	11-14-19	11-14-20
10" Oval Inlet	Airflow, CFM	150	190	230	270	310	350	390
	Total Pressure	.028	.045	.065	.090	.119	.151	.188
	Static Pressure	.023	.036	.053	.073	.096	.123	.152
	Noise Criteria	–	17	23	28	32	36	40
	Throw	4-8-14	6-10-15	8-11-16	9-12-17	11-13-19	11-14-20	12-15-21
12" Oval Inlet	Airflow, CFM	180	220	260	300	340	380	420
	Total Pressure	.030	.045	.063	.084	.107	.134	.164
	Static Pressure	.027	.041	.057	.075	.097	.127	.148
	Noise Criteria	–	20	25	29	33	37	40
	Throw	7-10-15	8-11-16	9-12-17	10-13-18	11-14-20	12-15-21	13-15-22

See page C70 for performance data notes.

PERFORMANCE DATA • MODEL SERIES 5700

MODEL: 5775(I) • 3/4" (19) SLOT WIDTH

3 Slot • 24" (610) Long

6" Round Inlet	Airflow, CFM	50	75	100	125	150	175	200
	Total Pressure	.013	.028	.050	.079	.114	.155	.202
	Static Pressure	.008	.019	.034	.052	.075	.103	.134
	Noise Criteria	–	–	16	23	29	34	39
	Throw	1-5-10	2-7-14	4-9-18	7-11-22	9-13-26	10-15-28	12-18-30
8" Round Inlet	Airflow, CFM	65	80	100	125	160	200	255
	Total Pressure	.013	.019	.030	.047	.077	.120	.195
	Static Pressure	.011	.016	.025	.039	.064	.100	.162
	Noise Criteria	–	–	15	20	27	34	40
	Throw	2-5-12	4-6-19	4-9-18	7-11-22	10-14-27	12-18-30	15-23-34
10" Round Inlet	Airflow, CFM	80	110	140	170	200	230	260
	Total Pressure	.016	.030	.049	.072	.100	.132	.168
	Static Pressure	.014	.026	.043	.063	.087	.115	.147
	Noise Criteria	–	17	22	27	32	37	40
	Throw	4-6-19	6-9-22	8-12-25	10-15-27	12-18-30	13-20-32	15-23-34

3 Slot • 48" (1219) Long

6" Round Inlet	Airflow, CFM	80	120	160	200	240	280	320
	Total Pressure	.013	.030	.053	.083	.120	.163	.213
	Static Pressure	.004	.010	.017	.027	.038	.052	.068
	Noise Criteria	–	–	15	23	28	32	37
	Throw	1-2-9	2-5-13	4-9-17	6-11-20	9-13-22	10-15-23	12-16-24
8" Round Inlet	Airflow, CFM	100	150	200	250	300	350	400
	Total Pressure	.014	.031	.055	.087	.125	.170	.222
	Static Pressure	.009	.020	.035	.054	.078	.106	.139
	Noise Criteria	–	–	17	24	30	35	40
	Throw	1-5-14	3-8-16	6-11-20	9-14-22	11-16-24	13-19-26	14-20-28
10" Oval Inlet	Airflow, CFM	115	145	185	230	295	370	470
	Total Pressure	.012	.019	.031	.048	.079	.125	.201
	Static Pressure	.009	.015	.024	.037	.061	.096	.155
	Noise Criteria	–	–	–	20	27	34	40
	Throw	2-5-13	3-8-16	5-10-18	9-13-22	11-16-24	14-19-27	17-21-30
12" Oval Inlet	Airflow, CFM	125	185	245	305	365	425	485
	Total Pressure	.011	.025	.044	.068	.097	.131	.171
	Static Pressure	.010	.022	.038	.059	.084	.114	.148
	Noise Criteria	–	–	18	25	31	36	40
	Throw	4-7-16	7-10-19	9-13-22	11-16-25	13-19-27	15-20-29	17-22-31

3 Slot • 60" (1524) Long

6" Round Inlet	Airflow, CFM	125	175	225	275	325	350	375
	Total Pressure	.025	.048	.079	.119	.166	.192	.221
	Static Pressure	.023	.045	.074	.111	.155	.180	.206
	Noise Criteria	–	15	21	28	34	37	41
	Throw	2-4-11	3-8-14	5-10-16	8-12-18	10-14-20	11-15-21	12-16-22
8" Round Inlet	Airflow, CFM	175	225	275	325	375	425	475
	Total Pressure	.033	.054	.081	.113	.151	.194	.242
	Static Pressure	.017	.028	.041	.058	.077	.099	.123
	Noise Criteria	–	16	22	28	32	36	40
	Throw	3-7-14	5-10-16	8-12-18	9-14-19	11-15-21	12-15-22	13-16-23
10" Oval Inlet	Airflow, CFM	250	300	350	400	450	500	550
	Total Pressure	.047	.068	.092	.120	.152	.188	.227
	Static Pressure	.033	.047	.064	.084	.106	.131	.159
	Noise Criteria	15	21	26	30	34	38	41
	Throw	6-11-17	9-13-18	10-14-20	12-15-21	13-16-23	14-17-24	14-18-25
12" Oval Inlet	Airflow, CFM	275	325	375	425	475	525	575
	Total Pressure	.042	.058	.077	.099	.124	.152	.182
	Static Pressure	.033	.046	.061	.079	.098	.120	.144
	Noise Criteria	16	21	26	30	33	37	40
	Throw	8-12-18	9-14-19	11-15-21	12-15-22	13-16-23	14-17-24	15-18-25

See page C70 for performance data notes.

PERFORMANCE DATA • MODEL SERIES 5700

MODEL: 5775(I) • 3/4" (19) SLOT WIDTH

4 Slot • 24" (610) Long

6" Round Inlet	Airflow, CFM	60	90	120	150	180	210	240
	Total Pressure	.013	.030	.053	.083	.119	.162	.212
	Static Pressure	.007	.016	.029	.046	.066	.089	.117
	Noise Criteria	–	–	15	23	28	33	38
	Throw	1-3-9	3-6-14	5-9-19	7-12-24	9-14-28	11-17-30	13-19-32
8" Round Inlet	Airflow, CFM	80	100	125	155	195	250	315
	Total Pressure	.014	.021	.033	.051	.081	.133	.211
	Static Pressure	.010	.016	.025	.039	.061	.101	.160
	Noise Criteria	–	–	–	20	27	34	40
	Throw	2-4-12	3-7-15	5-9-19	8-12-28	10-15-30	13-19-33	17-25-37
10" Round Inlet	Airflow, CFM	110	150	190	230	270	310	350
	Total Pressure	.020	.036	.058	.085	.118	.155	.198
	Static Pressure	.017	.033	.052	.076	.105	.139	.177
	Noise Criteria	–	18	24	29	34	38	42
	Throw	4-8-16	7-12-25	10-15-30	12-18-32	14-21-34	16-24-37	18-28-39

4 Slot • 48" (1219) Long

6" Round Inlet	Airflow, CFM	100	150	200	250	300	350	400
	Total Pressure	.014	.031	.055	.087	.125	.170	.222
	Static Pressure	.013	.029	.051	.079	.114	.155	.203
	Noise Criteria	–	–	16	23	30	36	42
	Throw	1-2-10	2-5-14	4-10-19	7-12-22	10-14-25	13-16-28	16-19-31
8" Round Inlet	Airflow, CFM	120	180	240	300	360	420	480
	Total Pressure	.015	.033	.059	.093	.134	.182	.238
	Static Pressure	.006	.014	.025	.039	.057	.077	.101
	Noise Criteria	–	–	16	23	29	34	39
	Throw	1-5-12	3-8-17	6-11-22	10-14-24	11-17-27	13-20-29	15-22-31
10" Oval Inlet	Airflow, CFM	145	180	225	290	360	450	580
	Total Pressure	.014	.022	.034	.056	.087	.135	.225
	Static Pressure	.010	.015	.023	.038	.059	.093	.154
	Noise Criteria	–	–	–	20	27	34	40
	Throw	2-5-14	3-8-16	5-11-21	9-14-24	12-18-27	14-21-29	18-24-34
12" Oval Inlet	Airflow, CFM	260	320	380	440	500	560	620
	Total Pressure	.034	.051	.073	.097	.126	.158	.193
	Static Pressure	.027	.041	.057	.077	.099	.124	.152
	Noise Criteria	–	19	24	29	33	37	40
	Throw	8-12-23	10-15-25	12-18-27	14-21-29	16-22-31	18-23-33	20-25-35

4 Slot • 60" (1524) Long

6" Round Inlet	Airflow, CFM	180	220	260	300	340	380	420
	Total Pressure	.039	.059	.082	.109	.140	.175	.214
	Static Pressure	.035	.053	.074	.098	.126	.157	.192
	Noise Criteria	.168	15	20	25	30	33	37
	Throw	2-5-14	3-8-16	5-10-17	7-12-19	8-14-21	9-16-23	10-18-25
8" Round Inlet	Airflow, CFM	220	270	320	370	420	470	520
	Total Pressure	.037	.056	.078	.104	.134	.168	.206
	Static Pressure	.011	.016	.023	.031	.040	.050	.061
	Noise Criteria	–	15	20	25	30	34	38
	Throw	3-8-16	5-10-17	7-12-19	9-14-20	11-15-22	13-16-23	15-17-25
10" Oval Inlet	Airflow, CFM	310	370	430	490	550	610	670
	Total Pressure	.050	.071	.096	.124	.156	.192	.232
	Static Pressure	.029	.041	.055	.072	.090	.111	.134
	Noise Criteria	15	21	26	30	34	37	40
	Throw	7-12-19	9-14-20	11-16-22	12-17-23	14-18-25	15-19-26	16-19-27
12" Oval Inlet	Airflow, CFM	320	380	440	500	560	620	680
	Total Pressure	.040	.056	.075	.097	.122	.150	.180
	Static Pressure	.029	.042	.056	.072	.090	.111	.133
	Noise Criteria	–	19	24	28	31	35	38
	Throw	7-12-19	10-14-21	11-16-22	13-17-24	14-18-25	15-19-26	16-20-28

See page C70 for performance data notes.

PERFORMANCE DATA NOTES:

Model Series 5700

Performance Data Notes:

1. Throws are given at 150, 100 and 50 fpm terminal velocities under isothermal conditions.
2. All pressures are in inches w.g..
3. Cataloged throws are for a one-way horizontal air pattern. For divided airflow, deduce the airflow in each direction according to the number of slots, with the total airflow apportioned between the slots. Look up throw for the airflow in each direction according to the number of slots in that direction.
4. Noise Criteria [NC] values are based on a room absorption of 10 dB, re 10^{-12} watts. Dash (-) in space denotes an Noise Criteria level less than 15.
5. Data derived from tests conducted in accordance with ANSI/ASHRAE Standard 70 – 2006.

Models 59ND(I),59NDR(I)

Performance Data Notes:

1. Throws are given at 150, 100 and 50 fpm terminal velocities under isothermal conditions.
2. All pressures are in inches w.g..
3. Tested with one-way fixed horizontal discharge in the direction of the inlet and center down-blow deflector full open. Straight flexible duct connection.
4. Noise Criteria [NC] values are based on a room absorption of 10 dB, re 10^{-12} watts. Dash (-) in space denotes an Noise Criteria level less than 15.
5. Data derived from independent tests conducted in accordance with ANSI/ASHRAE Standard 70-2006.