

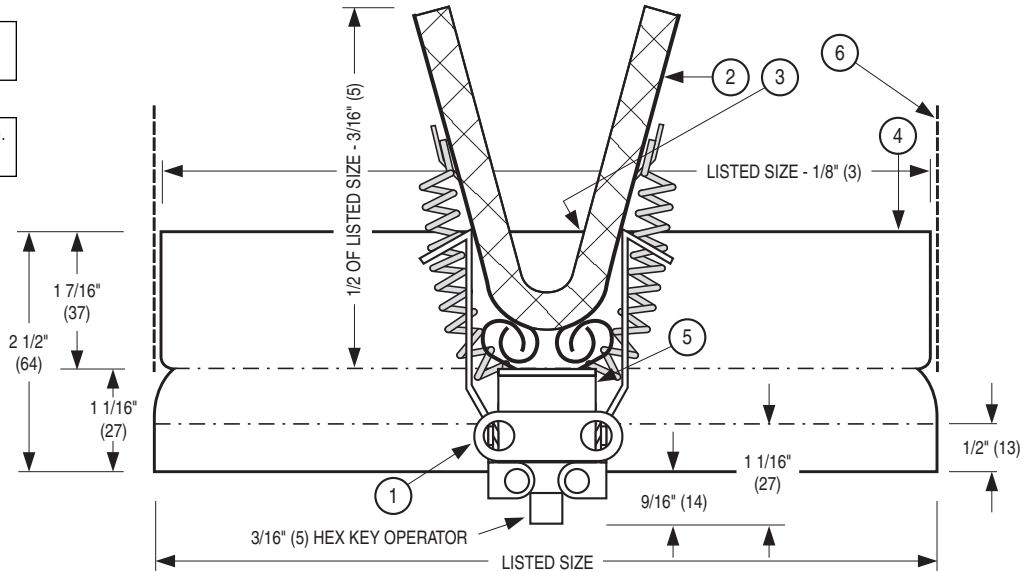


**CEILING RADIATION DAMPER
WITH ADJUSTABLE VOLUME
CONTROL • ROUND
MODEL: 0722A**



U.S. Patent No.
4,936,287

Canadian Patent No.
2,014,587-1



QUALIFICATIONS:

- UL 555C CLASSIFIED CEILING DAMPER (File # R9660).
- CAN4/ULC-S112.2 Ceiling Firestop Flap Assemblies.
- Meets the requirements NFPA 90A as well as IBC, NBC (Canada) and associated local building codes.
- City of New York Board of Standards and Appeals. Cal. No. 460-88-SA.
- California State Fire Marshal: Ceiling Damper Listing No. 3226-0935:0102.

DESCRIPTION:

Ceiling dampers (known as Fire Stop Flaps in Canada) are designed to function as a fire and heat barrier in air handling openings penetrating fire resistive membrane ceilings. The 0700 Series is for use in lieu of hinged door type dampers in any UL/ULC floor/ceiling or roof/ceiling assembly where air handling openings are permitted with up to a 3 hour fire resistance rating. The Model 0722A incorporates a mechanism to adjust the opening of the blades for balancing airflow through the ceiling diffusers.

STANDARD CONSTRUCTION:

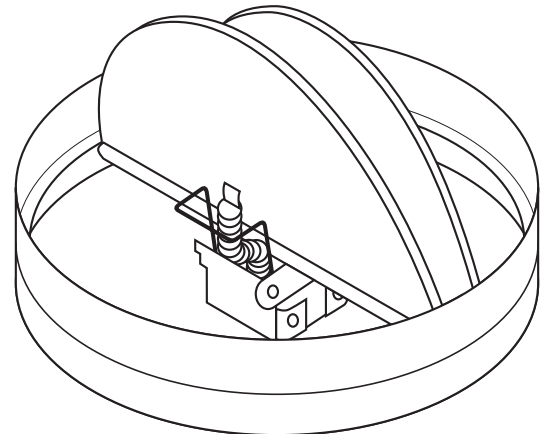
1. **Fusible Link:** UL Listed, 212°F (100°C), standard.
2. **Blades:** 22 ga. (0.85) G60 galvanized steel.
3. **Insulation:** Non-asbestos UL Classified on units 12 in. (305) dia. and larger, standard. Not required on smaller units.
4. **Frame:** Roll-formed 22 ga. (0.85) G60 galvanized steel.
5. **Duct Drop:** By others.

Model 0722A Sizes (Duct Dia.):

Minimum	Maximum
5" (127) dia.	16" (406) dia.

OPTION:

1. Non-standard temperature U.L. Listed fusible link.
 - 165 165°F (74°C)



For installation instructions, see IOM-CRDSINST and IOM-CRDTBINST.

Dimensions are in inches (mm).

SCHEDULE TYPE:

PROJECT:

ENGINEER:

CONTRACTOR:

DATE	B SERIES	SUPERSEDES	DRAWING NO.
4 - 28 - 14	0700	11 - 1 - 04R	0700-8