



TUNNEL CORRIDOR OR COMBINATION FIRE/SMOKE DAMPER
 1 HR. AND 1 1/2 HR. LABEL • AIRFOIL BLADE
 MODEL: 1221C-3



QUALIFICATIONS:

- **UL 555 CLASSIFIED CORRIDOR DAMPER, 1 hr. Fire Resistance Rating (File # R9492).**
- **UL 555 CLASSIFIED FIRE DAMPER, 1 1/2 hr. Fire Resistance Rating (File # R9492).**
- **UL 555S CLASSIFIED SMOKE DAMPER, Class I at 250°F or 350°F elevated temp. (File # R9492).**
- **California State Fire Marshal Listing No. 3225-0935:106.**
- **Meets the requirements of NFPA 80, 90A, 92A, 92B, 101 and 105.**
- **Meets the requirements of City of Los Angeles, Uniform Building Code.**
- **Maximum velocity: 2000 fpm @ 4" w.g.**

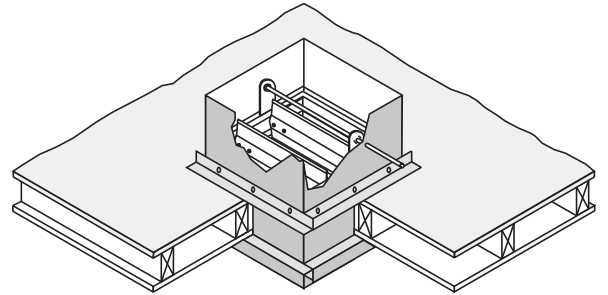
Model 1221C-3 is both a 1 hr. rated corridor damper for use in corridor ceilings and a standard 1 1/2 hr. rated combination fire/smoke damper for use in walls and floors. The dual rating makes it ideal for stocking as the unit can be supplied when either type of damper is required by the local customer. Model 1221C-3 is supplied complete with upper retaining angles as well as mounting tabs for use with a steel grille/diffuser. The damper may be installed using the single-side retaining angles method. Lower retaining angles are available for ducted corridor or standard wall/floor combination fire/smoke applications when the two-sided angles installation is utilized.

STANDARD SPECIFICATION:

- Frame:** 5" x 7/8" x 16 ga. (127 x 22 x 1.6) galvanized steel hat channel.
- Blades:** 14 ga. (2.0) equivalent galvanized steel formed airfoil on 5 1/2" (140) centers. Opposed action.
- Sleeve:** 16" x 20 ga. (406 x 1.0) standard.
- Upper Retaining Angles:** 1 1/2" x 1 1/2" x 16 ga. (38 x 38 x 1.6) galvanized steel (by Nailor).
- Lower Retaining Angles:** 1 1/2" x 1 1/2" x 16 ga. (38 x 38 x 1.6) galvanized steel by installing contractor (optionally by Nailor) when required.
- Linkage:** Concealed in frame.
- Bearings:** 1/2" (13) dia. self-lubricating oilite bronze.
- Axles:** 1/2" (13) dia. plated steel double bolted to blades.
- Jamb Seals:** Cambered stainless steel.
- Heat Responsive Device (Controlled Closure):**
 ERL (Electric Resettable Link) is standard on dampers with electric actuators: 250°F (121°C) standard. 165°F (74°C), 212°F (100°C) and 350°F (176°C) available.
 PRL (Pneumatic Replaceable Link) is standard on dampers with pneumatic actuators: 212°F (100°C) standard. 165°F (74°C) and 280°F (138°C) available.

Sizes (Duct W x H):

Minimum	Maximum
8" x 8" (203 x 203)	24" x 24" (610 x 610)



BASE MODEL SELECTION:

- 1221C-3** Standard factory sleeve (caulked to UL requirements) 16" long x 20 ga. (406 x 1.0) (18 ga. (1.3) for dampers over 84" (2134) in width).
- 1221C-3** Non-standard sleeve. Specify _____ length _____ ga. Available up to 36" (914) dependent upon wall thickness and 10 through 20 ga. (3.5 through 1.0).

LEAKAGE CLASS / ELEVATED TEMPERATURE:

- I @ 250°F** (Standard)
- I @ 350°F** (Optional)

ACTUATOR SELECTION:

- Electric** **Pneumatic**

Actuators are mounted for Fail Closed (Normally Closed) operation in accordance with code requirements.

ACTUATOR LOCATION:

- Out of airstream** **In the airstream**

OPTIONS:

- BS** Stainless steel bearings.
- MLS-300** Position indicator switch pack.
- MLS-400** Electric Fire Sensor (Re-openable control system). Includes dual heat sensors (165°F and 250°F or 350°F) and position indicator switch pack.
- UFM Factory mounted upper retaining angles.**
- LNM Lower retaining angles by Nailor.** (Shipped loose for field attachment).
- Lower retaining angles by Nailor.** (Shipped loose for field attachment).
- Special Features.** Specify: _____

For installation instructions, see IOM-TCFSDINST (Tunnel Corridor damper) or IOM-1220INST (Combination Fire/Smoke damper).

For supplementary installation instructions for Single-Side Retaining Angles see IOM-FDSSRAINST.

SCHEDULE TYPE:

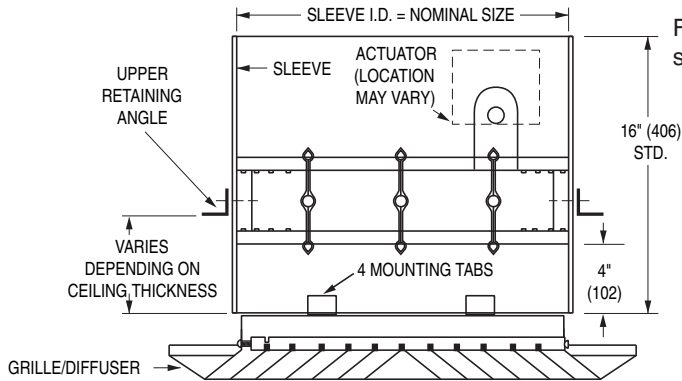
PROJECT:

ENGINEER:

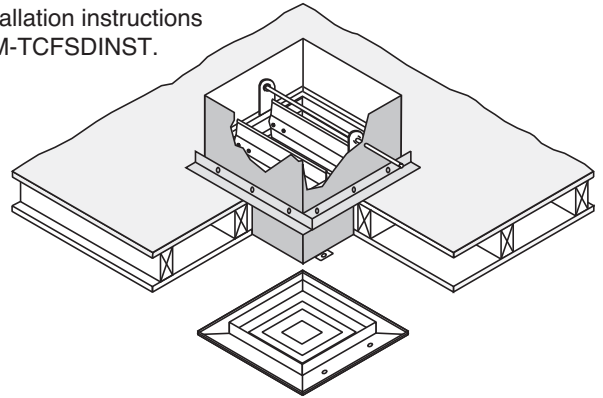
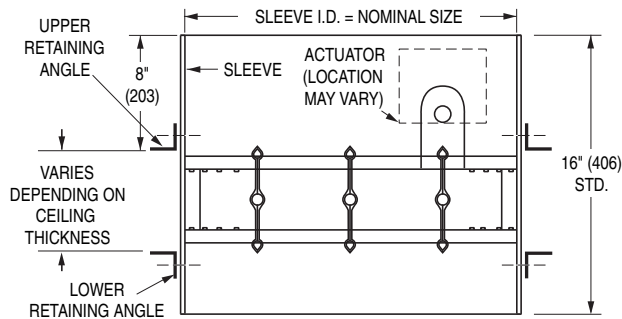
CONTRACTOR:

Page 1 of 2
 Dimensions are in inches (mm).

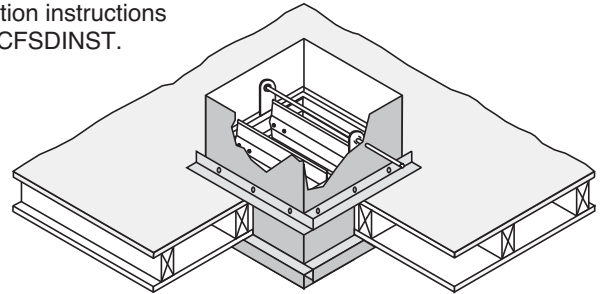
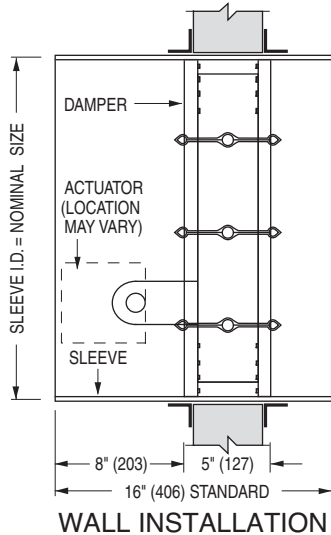
DATE	B SERIES	SUPERSEDES	DRAWING NO.
6 - 16 - 16	1220C	5 - 7 - 12	1220C-3

MODEL 1221C-3 APPLICATIONS:
TUNNEL CORRIDOR DAMPER WITH STEEL GRILLE/DIFFUSER:


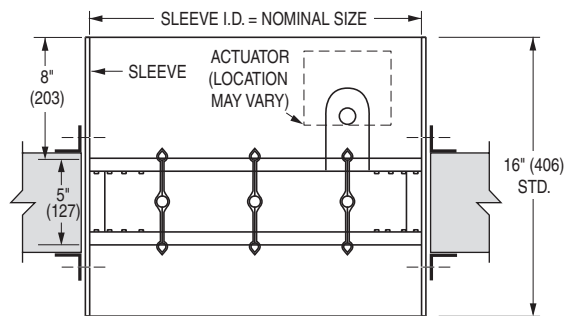
For installation instructions see IOM-TCFSDINST.


TUNNEL CORRIDOR DAMPER FOR DUCTED INSTALLATIONS:


For installation instructions see IOM-TCFSDINST.


COMBINATION FIRE/SMOKE DAMPER FOR WALLS AND FLOORS:


For installation instructions see IOM-1220INST.


SCHEDULE TYPE:
PROJECT:
ENGINEER:
CONTRACTOR:

 Page 2 of 2
 Dimensions are in inches (mm).

DATE	B SERIES	SUPERSEDES	DRAWING NO.
6 - 16 - 16	1220C	5 - 7 - 12	1220C-3