



**DYNAMIC STAINLESS STEEL ROUND FIRE DAMPER**  
**1 1/2 HR. LABEL • VERT. OR HORIZ.**  
**FOR USE IN DYNAMIC OR STATIC SYSTEMS**  
**MODEL: 1290F-SS**



**QUALIFICATIONS:**

- **UL 555 & CAN/ULC-S112 CLASSIFIED DYNAMIC FIRE DAMPER 1 1/2 hr. Label (File # R9492).**
- **Meets NFPA 80, 90A and 101 as well as IBC and NBC (Canada) Building Code requirements.**
- **California State Fire Marshal: Fire Damper Listing No. 3225-0935:0101.**
- **Maximum velocity: 2000 fpm @ 4" w.g. (10 m/s @ 1 kPa).**

Model 1290F-SS fire damper is ideal for high humidity or mildly corrosive applications where building codes require a fire damper for the protection of ductwork penetrations in walls or floors that have a fire resistance rating of up to 2 hours. The 1290F-SS is classified for use in dynamic "fans on" systems where the HVAC system remains operative in the event of a fire. Damper closure under airflow is assured.

The 1290F-SS is a true round fire damper designed and qualified specifically for point-of-origin fire containment where round ductwork passes through metal or wood stud drywall partitions and masonry walls or floors.

Features include the industry proven over-center knee lock design with high torque spring/fusible link closure. Supplied as standard with a crank arm and locking screw which holds the damper in the fully open position, but may also be used for system balancing if required. Available in either Type 304 or 316 stainless steel.

**STANDARD CONSTRUCTION:**

- Frame:** 20 ga. (1.0) stainless steel integral sleeve and retaining plates.
- Blade:** 2 x 20 ga. (1.0) stainless steel laminated together. 14 ga. (2.0) equivalent thickness.
- Linkage:** Stainless steel; jackshaft to blade.
- Bearings:** 1/2" (13) dia. stainless steel.
- Axles:** 1/2" (13) dia. stainless steel double bolted to blades.
- Jackshaft:** 1/2" (13) dia. stainless steel. Supplied with factory mounted hand locking quadrant.
- Fusible Link:** 165°F (74°C) standard. 212°F (100°C) available.

**Sizes (Duct Dia.):**

Minimum	Maximum
6" (152) dia.	24" (610) dia.

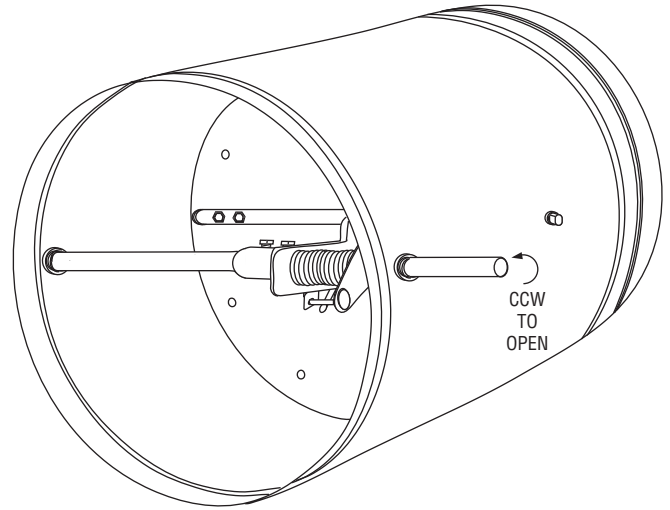
**Note:** Dampers available in 1" (25) increments. Vertical or horizontal installation.

**CONSTRUCTION TYPE:**

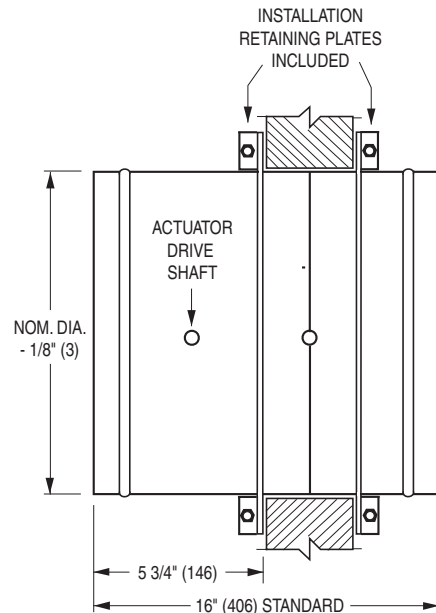
- 304** Type 304 Stainless Steel construction (Standard)
- 316** Type 316 Stainless Steel construction (Optional)

**OPTIONS:**

- MLS-300** Position indicator switch pack (8" (203) dia. minimum size required)



(Retaining Plates not shown)



Wall Thickness	Min. Sleeve Length
4 to 8 (102 to 203)	16 (406)
10 to 12 (254 to 305)	20 (508)
14 to 16 (356 to 406)	24 (610)

**SCHEDULE TYPE:**

**PROJECT:**

**ENGINEER:**

**CONTRACTOR:**

For installation instructions, see IOM-1290FINST.  
 Dimensions are in inches (mm).

DATE	B SERIES	SUPERSEDES	DRAWING NO.
4 - 28 - 14	1200	11 - 28 - 11	1290F-SS-1