



**FAN POWERED CHILLED WATER TERMINAL UNIT**  
**SENSIBLE COOLING (DOAS)**  
**CONSTANT OR VARIABLE VOLUME**  
**MODELS: 33SZ, 33SZE AND 33SZW**  
**UNIT SIZE 35 (LOW PROFILE)**

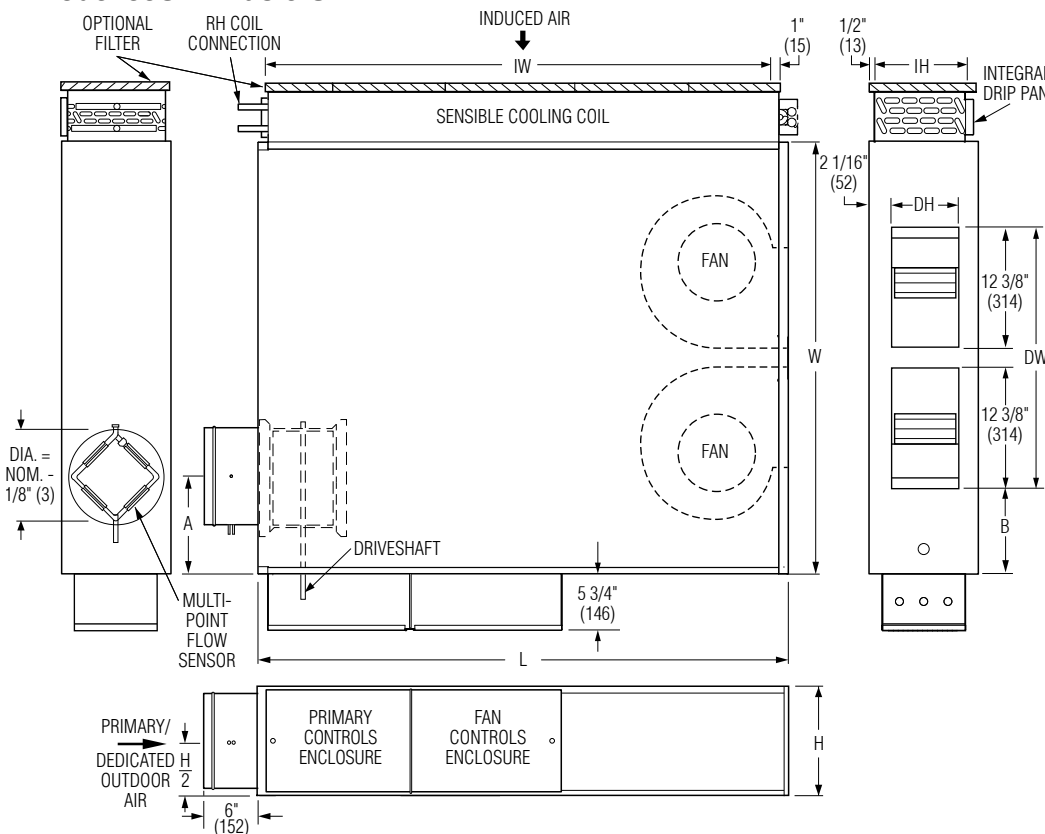
**DESCRIPTION:**

- Sensible cooling coil on the induced air inlet handles zone sensible load. Opposite side to controls location. Aluminum ripple fins (10 FPI) and 1/2" (13) copper tubes. Hand of coil connection is determined looking in direction of airflow (RH shown).
- 20 ga. (1.00) galvanized steel construction.
- 16 ga. (1.61) galvanized steel inclined opposed blade damper. 45° rotation. CW to close.
- Ultra-high efficiency ECM fan motor. EPIC fan volume controller.
- 1/2" (13) dual density fiberglass installation, exposed edge coated to prevent air erosion. Meets requirements of NFPA 90A and UL 181.
- Access panels top and bottom.
- Multi-point averaging diamond flow sensor.
- Discharge opening designed for flanged duct connection.
- Single point electrical connection.
- Low voltage NEMA 1 type enclosure for factory mounted DDC controls.
- Controls mounted as standard on RH side as shown. Unit size 35 ordered with LH controls (optional) is inverted.
- Galvanized steel drip pan integral to sensible coil.

**OPTIONS:**

- CW Coil:
- 2-Row  4-Row
  - 6-Row  8-Row
  - Condensate Sensor.
- Coil Connections:
- Right Hand (Default).
  - Left Hand.
- Liner:
- Fiber-free liner.
  - Perforated metal liner.
  - Solid metal liner.
  - Steri-liner.
  - Steri-liner w/perforated liner.
- Filter:
- 1" (25) Throwaway.
  - 2" (51) Pleated MERV 8.
  - 2" (51) Pleated MERV 13.
  - Ducted Return Filter Rack (See submittal 33SZ-FR).

**Model 33SZ • Basic Unit**



**Dimensional Data**

Unit Size	Inlet Size	W	H	L	A	B	Cooling Coil IW x IH	F	Outlet Discharge DW x DH	Filter Size
35	4, 5, 6, 8, 10 (102, 127, 152, 203, 254)	44 (1118)	11 (279)	54 (1372)	8 (203)	9 3/4 (248)	50 x 10 (1270 x 254)	2 Row: 5 1/8 (130) 4 Row: 7 5/16 (186) 6 Row: 9 1/2 (241) 8 ROW: 11 1/2 (292)	26 3/4 x 6 7/8 (679 x 175)	2@ 26 x 11 (660 x 279)

**Electrical Data**

Unit Size	EPIC ECM Motor FLA				
	Motor HP	120V	208V	240V	277V
35	*	8.2	5.5	5.3	5.3

**CW Coil O.D. Sweat Connections**

Unit Size	No. of Row
35	2, 4, 6 & 8
35	7/8" (22)

\* The EPIC ECM is a variable horsepower motor. Refer to Selectworks schedule for actual power consumption. FLA = Full load amperage. All motors are single phase/60 Hz.

**Electrical:**

- LH Controls enclosure
- Toggle disconnect switch.
- Motor fusing.

**Others:**

- Hanger brackets.
- 1/4-turn fasteners (access panel).
- Special Features.
- Induced Air Silencer (See submittal 33SZ-DSI).



For heat options; see page 2.  
 Dimensions are in inches (mm).

<b>SCHEDULE TYPE:</b>				
<b>PROJECT:</b>				
<b>ENGINEER:</b>	<b>DATE</b>	<b>B SERIES</b>	<b>SUPERSEDES</b>	<b>DRAWING NO.</b>
<b>CONTRACTOR:</b>	10 - 23 - 20	3300	4 - 3 - 20	33SZ-1A



**FAN POWERED CHILLED WATER TERMINAL UNIT**  
**SENSIBLE COOLING (DOAS)**  
**CONSTANT OR VARIABLE VOLUME**  
**MODELS: 33SZ AND 33SZW**  
**UNIT SIZE 35 (LOW PROFILE)**

**Hot Water Coil Section**  
**Model 33SZW**

**Standard Features:**

- Coil section installed on unit discharge.
- 1/2" (13) copper tubes.
- Aluminum ripple fins (10 FPI).
- Sweat Connections: One row: 1/2" (13) O.D. male solder. Two row: 5/8" (16) O.D. male solder.
- Flanged outlet duct connection.

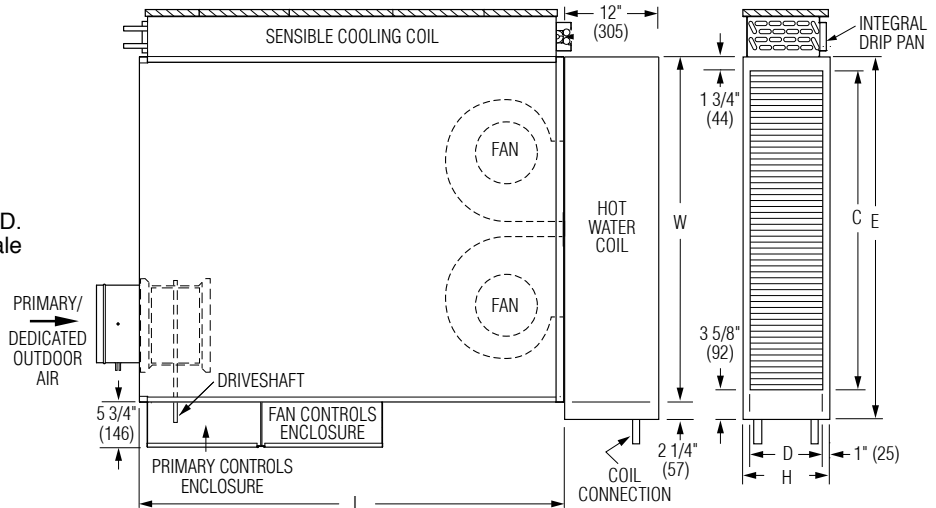
**Coil Rows:**

- 1-Row    2-Row

**Coil Hand Connections:**

- (Looking in direction of airflow).
- Right Hand (illustrated). Standard.
- Left Hand. Optional.

Heating coil, sensible coil and controls enclosure orientation must all be specified separately.



**Dimensional Data**

Unit Size	W	H	L	E	Outlet Duct Size C x D
35	44 (1118)	11 (279)	54 (1372)	46 3/8 (1178)	41 x 9 (1041 x 229)

**Electric Coil Section**  
**Model 33SZE**

**Standard Features:**

- Controls enclosure incorporates a hinged access door opening upstream that helps ensure NEC clearance requirements and reduces footprint. (FN2 90° design is standard).
- Unique hinged heater design permits easy access, removal and replacement of heater element without disturbing ductwork.
- Coil installed on unit discharge.
- Insulated coil element wrapper.
- Automatic reset high limit cut-outs (one per element).
- Single point electrical connection for entire terminal unit.
- Magnetic contactors per stage.
- Class A 80/20 Ni/Cr wire.
- Electronic Fan Interlock Relay.
- Flanged outlet duct connection.
- Terminal unit with coil is ETL listed as on assembly.
- Controls mounted as standard on RH side as shown. Terminals ordered with L.H. controls (optional) are inverted.

**Voltage:**

Single phase, 60 Hz.

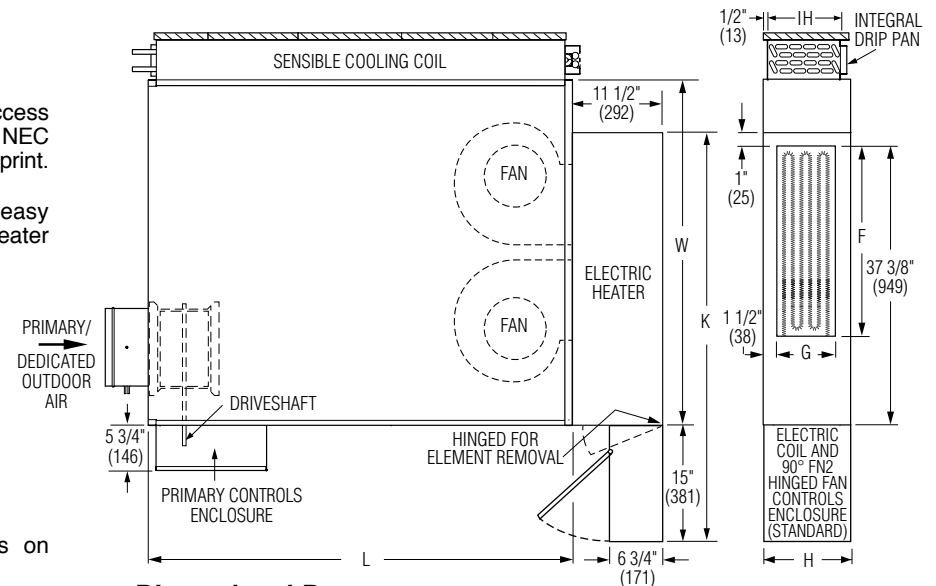
- 120V    208V  
 240V    277V

Three phase, 60 Hz.

- 208V    480V (4 wire wye).  
 600V (dual point connection).  
 \_\_\_\_\_

**Electric Coil Options:**

- SCR control.    Door interlock disconnect switch.    Dust tight construction.
- SCR control with discharge temperature control.    Quiet contactors.    Manual Reset secondary thermal cut out.
- Toggle disconnect (includes fan).    Main line fusing.



**Dimensional Data**

Unit Size	W	H	L	K	Outlet Duct Size F x G
35	44 (1118)	11 (279)	54 (1372)	52 3/8 (1330)	25 x 8 (635 x 203)

**SCHEDULE TYPE:**

**PROJECT:**

**ENGINEER:**

**CONTRACTOR:**

Page 2 of 2.  
 Dimensions are in inches (mm).

DATE	B SERIES	SUPERSEDES	DRAWING NO
10 - 23 - 20	3300	4 - 3 - 20	33SZ-1A