



**FAN POWERED CHILLED WATER TERMINAL UNIT**  
**SENSIBLE COOLING (DOAS) • CONSTANT OR VARIABLE VOLUME**  
**MODELS: 33SZ, 33SZE AND 33SZW**  
**UNIT SIZE: 35 (LOW PROFILE)**  
**WITH 90° LINE VOLTAGE ENCLOSURE (FN2 OPTION)**

**DESCRIPTION:**

- Sensible cooling coil on the induced air inlet handles zone sensible load. Opposite side to controls location. Aluminum ripple fins (10 FPI) and 1/2" (13) copper tubes. Hand of coil connection is determined looking in direction of airflow (RH shown).
- 20 ga. (1.00) galvanized steel construction.
- 16 ga. (1.61) galvanized steel inclined opposed blade damper. 45° rotation. CW to close.
- Ultra-high efficiency ECM fan motor. EPIC fan volume controller.
- 1/2" (13) dual density fiberglass installation, exposed edge coated to prevent air erosion. Meets requirements of NFPA 90A and UL 181.
- Access panels top and bottom.
- Multi-point averaging Diamond Flow Sensor. Supplied with balancing tees.
- Discharge opening designed for flanged duct connection.
- Single point electrical connection.
- Low voltage NEMA 1 type enclosure for factory mounted DDC controls.
- FN2 line voltage enclosure incorporates a hinged access door opening upstream that helps ensure NEC clearance requirements and reduces footprint.
- Controls mounted as standard on RH side as shown. Unit size 35 ordered with LH controls (optional) is inverted and discharge duct hanging elevation will therefore change.
- Galvanized steel drip pan integral to sensible coil.

**OPTIONS:**

**CW Coil:**

- 2-Row  4-Row
- 6-Row  8-Row
- Condensate Sensor

**Coil Connections:**

- Right Hand (Default)
- Left Hand

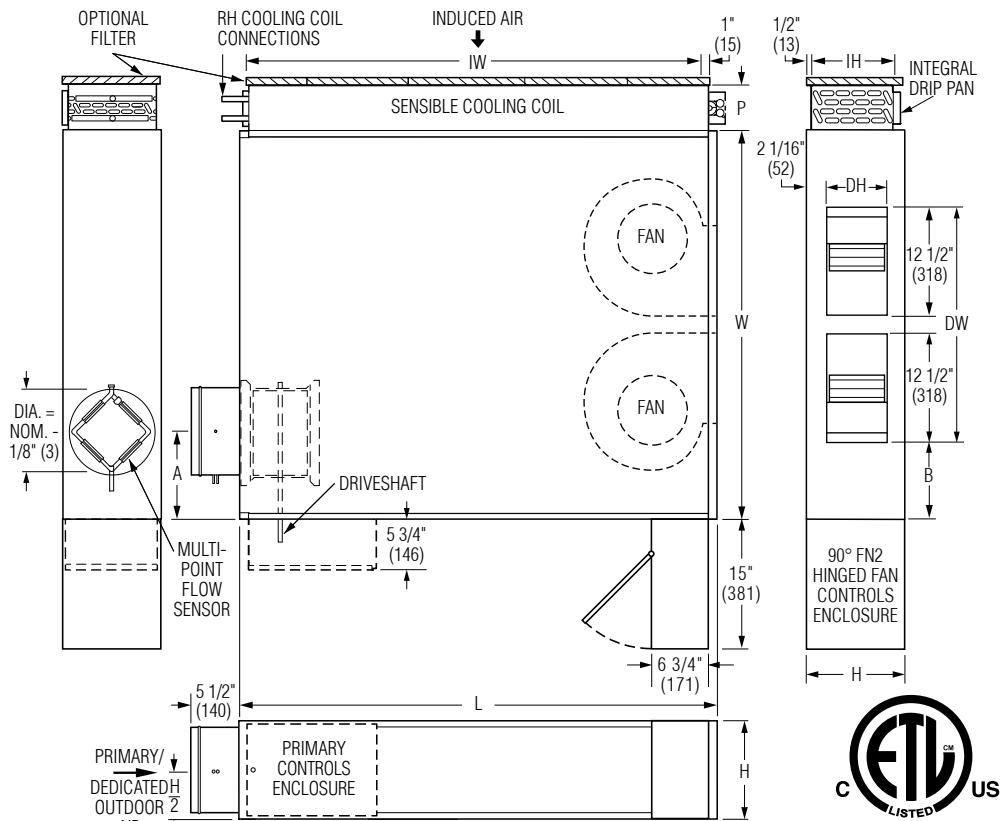
**Liner:**

- Fiber-free
- Steri-liner
- Steri-liner + Perforated metal
- Perforated metal
- Solid metal

**Filter:**

- 1" (25) Throwaway
- 2" (51) Pleated MERV 8
- 2" (51) Pleated MERV 13
- Ducted Return Filter Rack (See submittal 33SZ-FR)

**Model 33SZ • Basic Unit**



**Dimensional Data**

Unit Size	Inlet Size	W	H	L	A	B	Cooling Coil IW x IH	P	Outlet Discharge DW x DH	Filter Size
35	4, 5, 6, 8, 10 (102, 127, 152, 203, 254)	44 (1118)	11 (279)	54 (1372)	8 (203)	8 1/2 (216)	50 x 10 (1270 x 254)	2 Row: 5 1/8 (130) 4 Row: 7 5/16 (186) 6 Row: 9 1/2 (241) 8 ROW: 11 1/2 (292)	27 x 6 7/8 (686 x 175)	2@ 26 x 11 (660 x 279)

**Electrical Data**

Unit Size	EPIC ECM Motor FLA				
	Motor HP	120V	208V	240V	277V
35	*	8.2	5.5	5.3	5.3

**CW Coil O.D. Sweat Connections**

Unit Size	No. of Row
35	2, 4, 6 & 8
35	7/8" (22)

\* The EPIC ECM is a variable horsepower motor.

Refer to Selectworks schedule for actual power consumption.  
 FLA = Full load amperage. All motors are single phase/60 Hz.

**Electrical:**

- LH Controls enclosure
- Toggle disconnect switch.
- FN3 – Remote line voltage enclosure.
- Motor fusing.

**Other:**

- Cross Flow Sensor
- Hanger brackets
- 1/4-turn Fasteners (access panel)
- Induced Air Silencer (See submittal 33SZ-DSI)
- Induced Air Silencer Elbow (See submittal 33SZ-DSIE)

**Seismic Certification:**

- Seismic Source International (Standard)
- HCAI (formerly OSHPD, California)
- Special Features:



**Intertek**



**SCHEDULE TYPE:**

**PROJECT:**

**ENGINEER:**

**CONTRACTOR:**

Page 1 of 3; For heat options; see page 2.  
 Dimensions are in inches (mm).

**DATE**

**B SERIES**

**SUPERSEDES**

**DRAWING NO.**

2 - 6 - 23

3300

6 - 22 - 22

33SZ-3A



**FAN POWERED CHILLED WATER TERMINAL UNIT**  
**SENSIBLE COOLING (DOAS) • CONSTANT OR VARIABLE VOLUME**  
**MODELS: 33SZ, 33SE AND 33SZW**  
**UNIT SIZE: 35 (LOW PROFILE)**  
**WITH 90° LINE VOLTAGE ENCLOSURE (FN2 OPTION)**

**Hot Water Coil Section**  
**Model 33SZW**

**Standard Features:**

- Coil section installed on unit discharge.
- Coil (and header on multi-circuit units) is installed in insulated casing for increased thermal efficiency.
- 1/2" (13) copper tubes.
- Aluminum ripple fins (10 FPI)
- Sweat Connections: One row: 1/2" (13) O.D. male solder. Two row: 5/8" (16) O.D. male solder
- Flanged outlet duct connection.

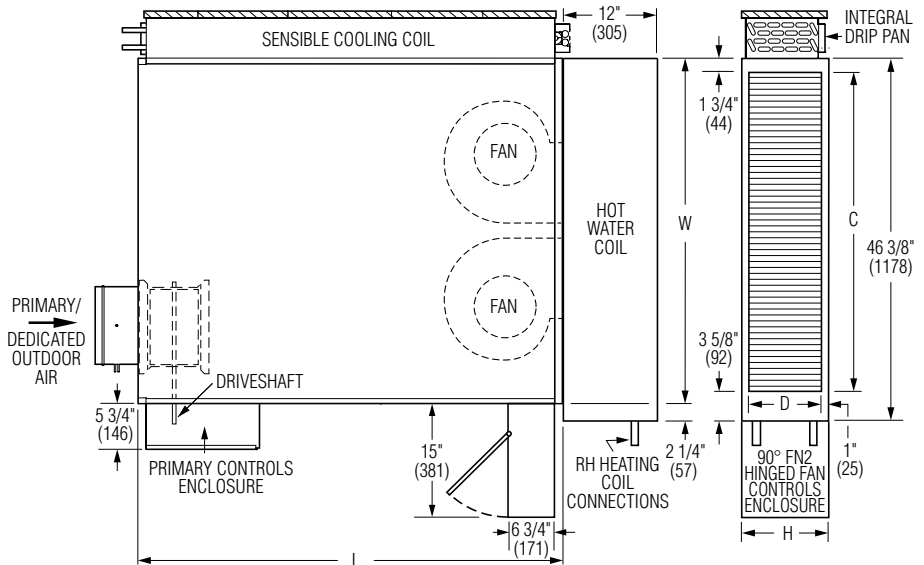
**Coil Rows:**

- 1-Row     2-Row

**Coil Hand Connections:**

- (Looking in direction of airflow).  
 Right Hand (illustrated). Standard.  
 Left Hand. Optional.

Heating coil, sensible coil and controls enclosure orientation must all be specified separately.



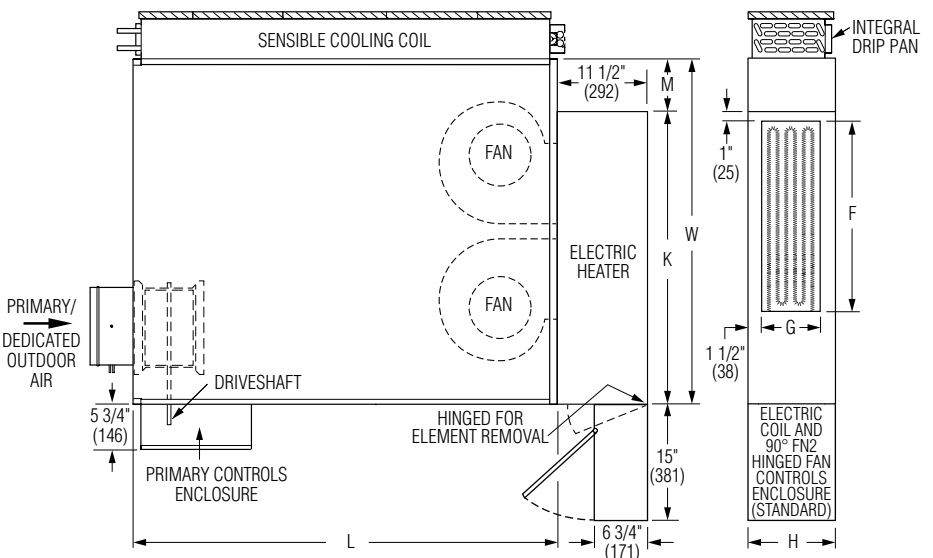
**Dimensional Data**

Unit Size	W	H	L	E	Outlet Duct Size C x D
35	44 (1118)	11 (279)	54 (1372)	46 3/8 (1178)	41 x 9 (1041 x 229)

**Electric Coil Section**  
**Model 33SE**

**Standard Features:**

- Unique hinged heater design permits easy access, removal and replacement of heater element without disturbing ductwork.
- Coil installed on unit discharge.
- Insulated coil element wrapper.
- Automatic reset high limit cut-outs (one per element).
- Single point electrical connection for entire terminal unit.
- Magnetic contactors per stage.
- Class A 80/20 Ni/Cr wire.
- Electronic Fan Interlock Relay.
- Flanged outlet duct connection.
- Terminal unit with coil is ETL listed as on assembly.
- Controls mounted as standard on RH side as shown. Terminals ordered with L.H. controls (optional) are inverted.



**Dimensional Data**

Unit Size	W	H	L	K	M	Outlet Duct Size F x G
35	44 (1118)	11 (279)	54 (1372)	37 3/8 (949)	6 5/8 (168)	25 x 8 (635 x 203)

**Voltage:**

Single phase, 60 Hz.

- 120V     208V  
 240V     277V

Three phase, 60 Hz.

- 208V     480V (4 wire wye)  
 600V (dual point connection)  
 \_\_\_\_\_

**Electric Coil Options:**

- SCR control.
- SCR control with discharge temperature control.
- Toggle disconnect (includes fan).
- Door interlock disconnect switch.
- Quiet contactors.
- Main line fusing.
- Dust tight construction.
- Manual Reset secondary thermal cut out.
- Positive Pressure airflow switch.

**SCHEDULE TYPE:**

**PROJECT:**

**ENGINEER:**

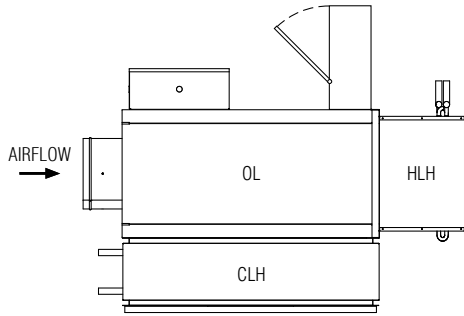
**CONTRACTOR:**

Page 2 of 3.  
 Dimensions are in inches (mm).

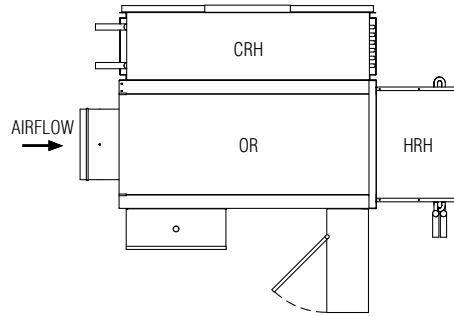
DATE	B SERIES	SUPERSEDES	DRAWING NO
2 - 6 - 23	3300	6 - 22 - 22	33SZ-3A



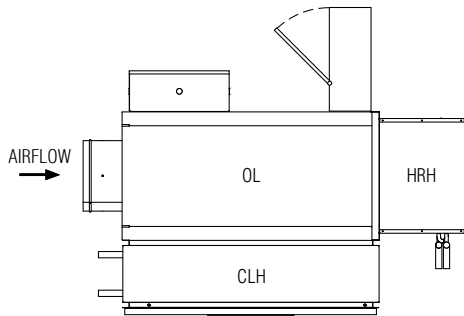
**FAN POWERED CHILLED WATER TERMINAL UNITS  
ORIENTATIONS  
MODELS: 33SZE AND 33SZW  
UNIT SIZE: 35 (LOW PROFILE)  
WITH 90° LINE VOLTAGE ENCLOSURE (FN2 OPTION)**



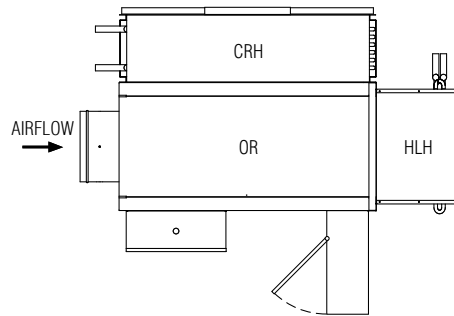
**OL** LEFT HAND CONTROLS  
**CLH** LEFT HAND COOLING COIL CONNECTIONS  
**HLH** LEFT HAND HEATING COIL CONNECTIONS



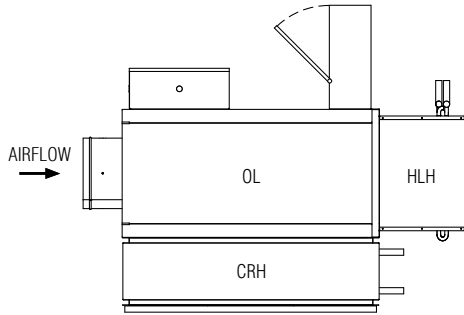
**OR** RIGHT HAND CONTROLS  
**CRH** RIGHT HAND COOLING COIL CONNECTIONS  
**HRH** RIGHT HAND HEATING COIL CONNECTIONS



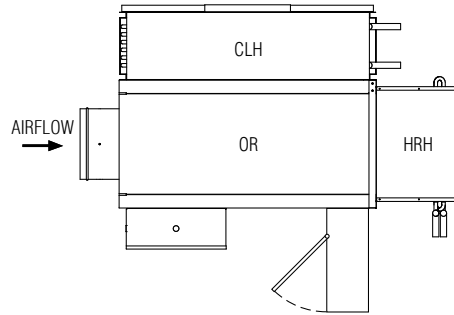
**OL** LEFT HAND CONTROLS  
**CLH** LEFT HAND COOLING COIL CONNECTIONS  
**HRH** RIGHT HAND HEATING COIL CONNECTIONS



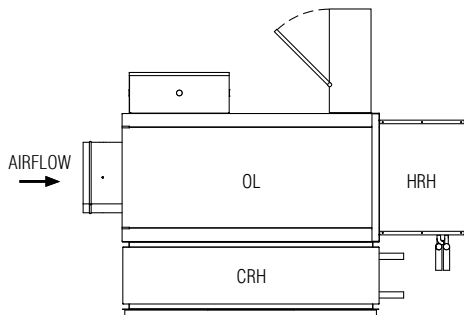
**OR** RIGHT HAND CONTROLS  
**CRH** RIGHT HAND COOLING COIL CONNECTIONS  
**HLH** LEFT HAND HEATING COIL CONNECTIONS



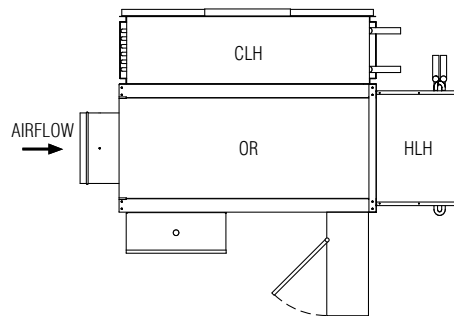
**OL** LEFT HAND CONTROLS  
**CRH** RIGHT HAND COOLING COIL CONNECTIONS  
**HLH** LEFT HAND HEATING COIL CONNECTIONS



**OR** RIGHT HAND CONTROLS  
**CLH** LEFT HAND COOLING COIL CONNECTIONS  
**HRH** RIGHT HAND HEATING COIL CONNECTIONS



**OL** LEFT HAND CONTROLS  
**CRH** RIGHT HAND COOLING COIL CONNECTIONS  
**HRH** RIGHT HAND HEATING COIL CONNECTIONS



**OR** RIGHT HAND CONTROLS  
**CLH** LEFT HAND COOLING COIL CONNECTIONS  
**HLH** LEFT HAND HEATING COIL CONNECTIONS

**SCHEDULE TYPE:**

**PROJECT:**

**ENGINEER:**

**CONTRACTOR:**

Page 3 of 3.

Dimensions are in inches (mm).

**DATE**

**B SERIES**

**SUPERSEDES**

**DRAWING NO**

2 - 6 - 23

3300

6 - 22 - 22

33SZ-3A