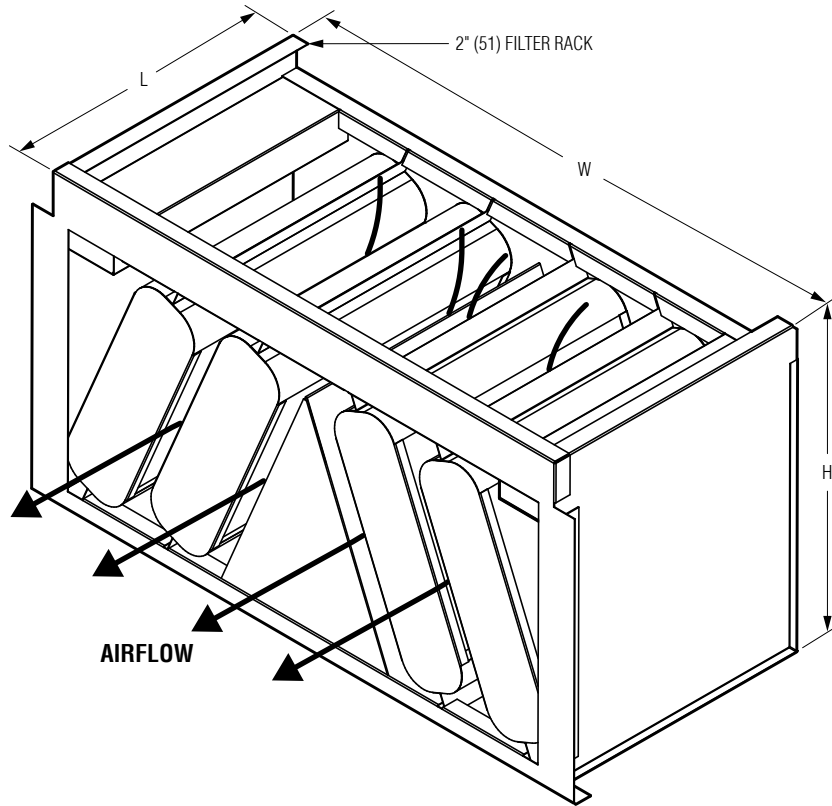




**FAN POWERED CHILLED WATER TERMINAL UNITS
INDUCED AIR DISSIPATIVE ELBOW SILENCER
ACCESSORY CODE DSIE
MODEL SERIES: 33SZ**



DESCRIPTION:

- The DSIE (Induced Air Dissipative Elbow Silencer) is an optional induced air inlet accessory for Fan Powered Chilled Water Terminal Units Model Series 33SZ and is shipped loose for field attachment.
- The compact patent pending elbow design provides maximum acoustic attenuation by reducing radiated sound power levels.
- Silencer casing is constructed with 22 ga. (0.86) coated steel.
- Perforated angled baffles are 13% free area, 22 ga. (0.86) galvanized steel construction. Baffles are filled with fiberglass acoustic media.
- The silencer incorporates a slider-in-filter rack to accommodate a 1" (25) or 2" (51) filter.
- Silencer may be installed in one of two orientations with top entry or bottom entry induced air.

Dimensional Data

Unit Size	W	H	L	Filter Size
10	45 1/16 (1145)	10 11/16 (271)	16 (406)	20 x 16 (508 x 406)
30	38 1/16 (967)	11 15/16 (303)	16 (406)	38 x 16 (965 x 406)
35	52 3/16 (1326)	13 1/8 (334)	16 (406)	2@ 26 x 16 (1321 x 406)
40	33 1/4 (844)	18 15/16 (480)	16 (406)	33 x 16 (838 x 406)
50	36 3/8 (923)	19 15/16 (480)	16 (406)	35 x 16 (889 x 406)
55	52 1/8 (1324)	20 15/16 (480)	16 (406)	2@ 26 x 16 (1321 x 406)

Radiated Sound Deductions

	Sound Power Octave Band						Average NC Reduction
	2	3	4	5	6	7	
Slanted Attenuator Deduct	2	5	7	6	8	9	3-5

NOTE: Data based upon independent mock-up testing at Energistics Laboratory.

SCHEDULE TYPE:	Dimensions are in inches (mm)			
PROJECT:				
ENGINEER:	DATE	B SERIES	SUPERSEDES	DRAWING NO.
CONTRACTOR:	7 - 13 - 22	33SZ	6 - 29 - 22	33SZ-DSIE