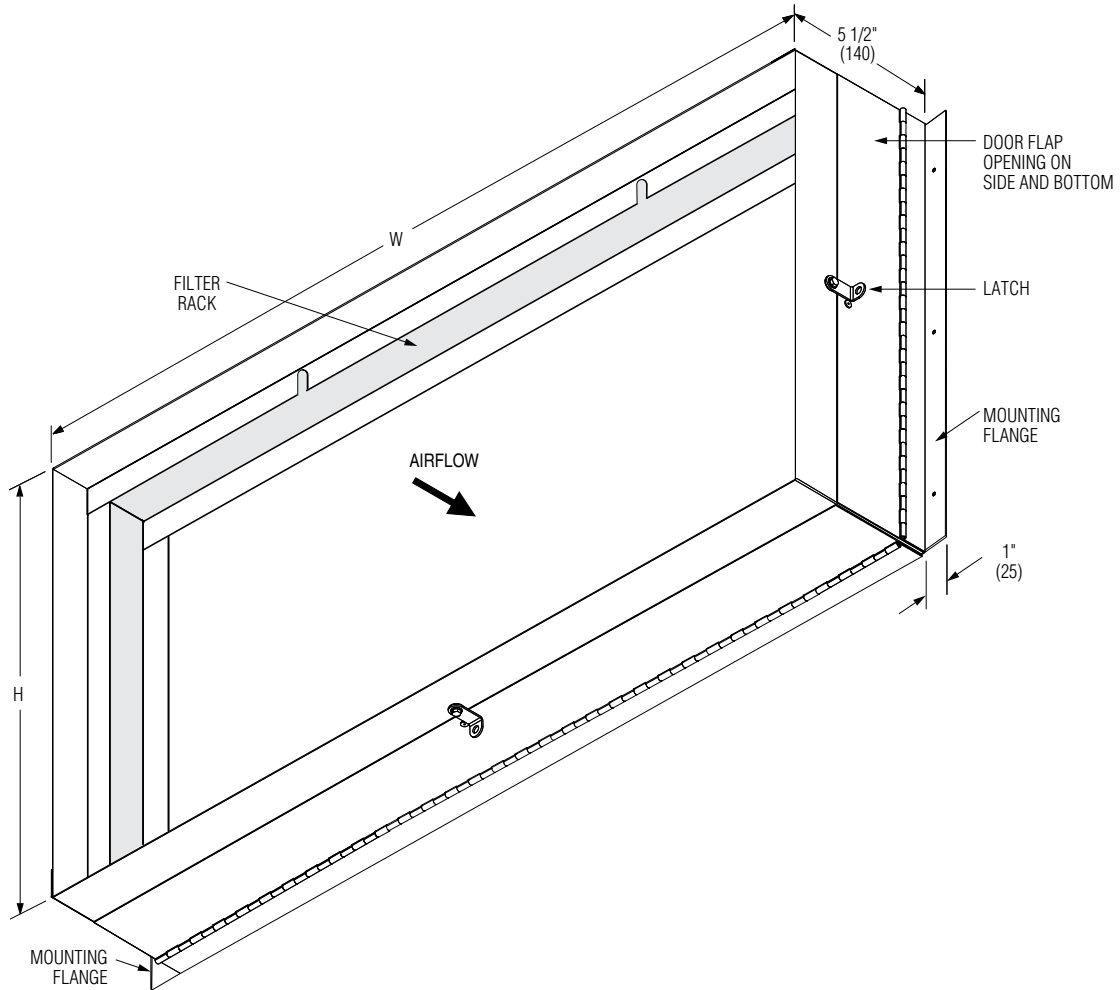




**FAN POWERED CHILLED WATER TERMINAL UNITS  
UNIVERSAL DUCTED RETURN FILTER RACK  
ACCESSORY CODE DRFR  
MODEL SERIES: 33SZ**



**Description:**

- The DRFR Ducted Return Filter Rack is an optional accessory for the Fan Powered Chilled Water Terminal Model Series 33SZ.
- The accessory is required for ducted inlet applications where a filter is also required and ease of accessibility is required.
- The Ducted Filter Connection features a filter rack, which accommodates a 1" (25) standard or 2" (51) optional filter.
- Factory mounted on the induced air inlet of the draw through water coil section.
- A piano-hinged door flap with latch on the side and bottom of the unit accessory allows for easy removal and replacement of the filter.
- The accessory is provided with a nominally sized duct connection collar.

**Dimensional Data**

Unit Size	Inlet Size W x H	Filter Size W x H
30	36 x 8 3/4 (914 x 222)	38 x 10 (965 x 254)
40	31 x 15 (787 x 381)	33 x 16 (838 x 406)
50	36 x 15 (914 x 381)	38 x 16 (965 x 406)
55	50 x 15 (1270 x 381)	52 x 16 (1321 x 406)

<b>SCHEDULE TYPE:</b>	Dimensions are in inches (mm).			
<b>PROJECT:</b>				
<b>ENGINEER:</b>	<b>DATE</b>	<b>B SERIES</b>	<b>SUPERSEDES</b>	<b>DRAWING NO.</b>
<b>CONTRACTOR:</b>	2 - 26 - 20	33SZ	1 - 29 - 20	33SZ-FR