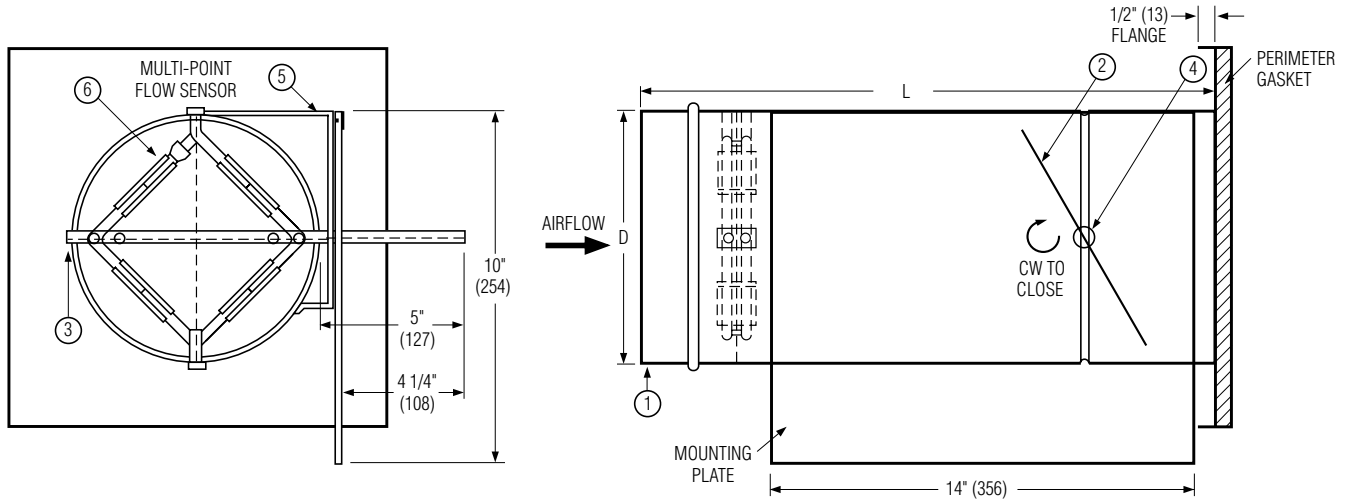


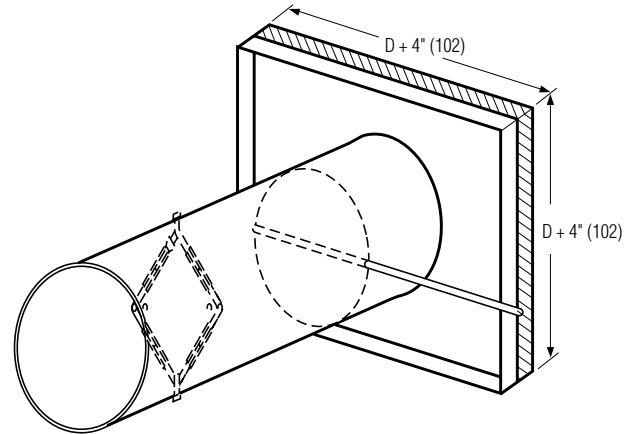


**TRANE® ROUND RETROFIT TERMINAL UNIT**  
**DIGITAL OR ANALOG ELECTRONIC CONTROL**  
**PRESSURE INDEPENDENT • VARIABLE AIR VOLUME •**  
**EXTERNAL**  
**MODEL: D36VRTR**



**Dimensional Data**

Unit Size	Airflow Range cfm (l/s)	D	L
4	0 – 225 (0 – 106)	3 7/8 (98)	18 (457)
5	0 – 400 (0 – 189)	4 7/8 (124)	18 (457)
6	0 – 550 (0 – 260)	5 7/8 (149)	18 (457)
7	0 – 800 (0 – 378)	6 7/8 (175)	18 (457)
8	0 – 1100 (0 – 579)	7 7/8 (200)	18 (457)
9	0 – 1400 (0 – 661)	8 7/8 (225)	20 (508)
10	0 – 1840 (0 – 868)	9 7/8 (251)	20 (508)
12	0 – 2500 (0 – 1081)	11 7/8 (302)	20 (508)
14	0 – 3370 (0 – 1590)	13 7/8 (352)	22 (559)
16	0 – 4525 (0 – 2135)	15 7/8 (403)	22 (559)



**Standard Construction:**

1. Casing: 22 ga. (0.86), corrosion-resistant steel with stiffening beads.
2. Blade: Two layers of 20 ga. (1.00), corrosion-resistant steel laminated together with a cross-linked polyethylene peripheral gasket for tight shut-off. 90° rotation, CW to close. Damper leakage is less the 1% of the terminal rated airflow at 3" w.g. (750 pa.) and less than 2% at 6" w.g. (1500 pa.) as tested in accordance with ANSI / ASHRAE Standard 130.
3. Bearings: Self-lubricating oilite bronze.
4. Drive Shaft/Axles: 1/2" (13) diameter plated steel, double-bolted to blades. Indicator mark on the end of the shaft to show damper position.
5. Mounting plate for field or factory mount controls.
6. Multi-point averaging Diamond Flow Sensor: Aluminum construction. Supplied with brass balancing tees.
7. Right-hand control location is standard (as shown) when looking in direction of airflow. Left-hand is optional.

**Controls:**

- Digital (by others). See separate submittal.

**Options and Accessories:**

- FMI Removable Flow Sensor (See submittal 36FMI-1).
- 24 VAC Control transformer.
- Toggle disconnect switch.
- Dust tight enclosure seal.
- Special features \_\_\_\_\_.

<b>SCHEDULE TYPE:</b>	Dimensions are in inches (mm)			
<b>PROJECT:</b>				
<b>ENGINEER:</b>	<b>DATE</b>	<b>B SERIES</b>	<b>SUPERSEDES</b>	<b>DRAWING NO.</b>
<b>CONTRACTOR:</b>	3 - 24 - 17	3600	6 - 20 - 12	36VRTR