



**FIRE RATED DUCTLESS  
RETURN AIR GRILLES  
WITH ADJUSTABLE VOLUME CONTROL  
MODELS: 4121 THRU 4126 AV**

**Louvered Grille Models with  
Adjustable Volume Control:**

4121 AV, 4122 AV, 4123 AV

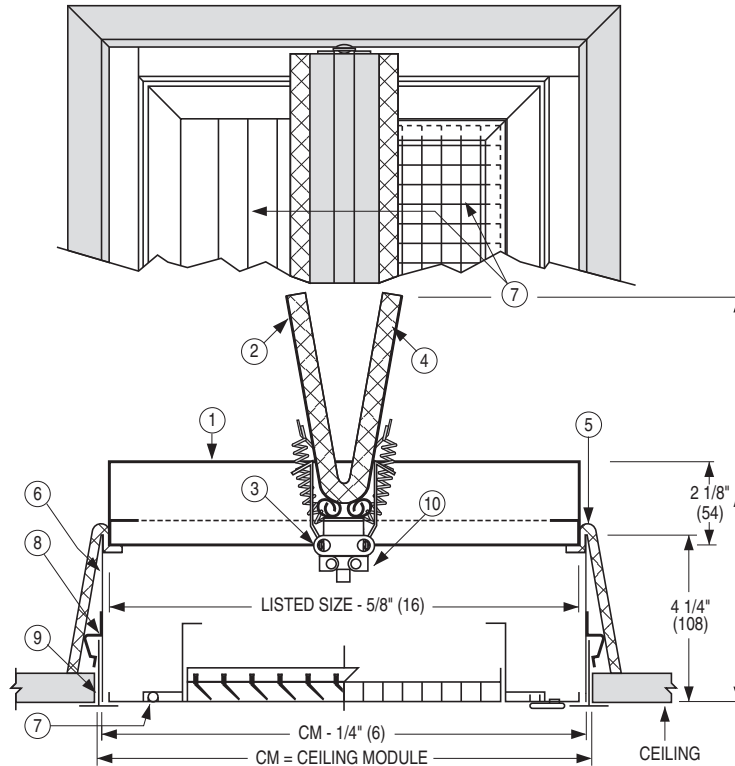
**Eggcrate Grille Models with  
Adjustable Volume Control:**

4124 AV, 4125 AV, 4126 AV

**AV Fusible Link Adjustable  
Volume Control Option.**

This UL Listed option allows the damper to be used as a balancing damper for volume control.

The blades are adjusted with a 3/16" (5) hex key (by others) and perform like a butterfly damper.



CLASSIFIED  
CATEGORY  
BZZU



CLASSIFIED  
CATEGORY  
CABS & CABS7

**DESCRIPTION:**

1. Damper frame: Galvanized steel, standard.
2. Damper blades: Galvanized steel, standard.
3. U.L. Listed fusible link: 212°F (100°C) standard.
4. Blade insulation: Ceramic fiber.
5. Shroud: Ceramic fiber.
6. Extension frame: Galvanized steel, standard.
7. Steel filter grille with hinged core secured by 1/4 turn fasteners. 1" (25) filter by others.  
Louvered face: fixed 45° deflection blades on 3/4" (19) centers.  
Eggcrate face: 1/2 x 1/2 x 1/2 (13 x 13 x 13) aluminum grid core.  
Standard finish: AW Appliance White.
8. Ceiling grid clip: 4 attached. 2 each on opposite sides.
9. Supplementary (or existing) ceiling grid member.
10. AV Adjustable fusible link assembly permits the damper to be used as a balancing damper for volume control. The blades are adjusted with a 3/16" (5) hex key (by others) and perform like a butterfly damper.

**OPTIONS:**

1. Non-standard temperature U.L. Listed fusible link.  
 165°F (74°C)
2. Finish:  
 SP Special \_\_\_\_\_ .

The **Nailor Series 4100** are UL/ULC classified fire rated ceiling diffuser assemblies (ceiling dampers).

All diffusers are classified for use in UL/ULC restrained or unrestrained floor/ceiling and or roof/ceiling assemblies which incorporate an exposed grid suspended ceiling (lay-in T-bar) with up to a 3 hour rating. For details of fire rated assemblies, see the current UL or ULC Fire Resistance Directory.

For use with exposed grid T-bar ceilings only.  
For installation instructions see IOM-FRDRINST.

**Available Sizes and Dimensional Data**

Model No.	Filter Grille	Ceiling Module		Opening Height A
		Imperial (inches)	Metric (mm)	Standard
4121AV	Louvered Face	12 x 12	300 x 300	10 (254)
4122AV		24 x 12	600 x 300	10 (254)
4123AV		24 x 24	600 x 600	16 (406)
4124AV	Eggcrate Face	12 x 12	300 x 300	10 (254)
4125AV		24 x 12	600 x 300	10 (254)
4126AV		24 x 24	600 x 600	16 (406)

<b>SCHEDULE TYPE:</b>
<b>PROJECT:</b>
<b>ENGINEER:</b>
<b>CONTRACTOR:</b>

Dimensions are in inches (mm).

<b>DATE</b>	<b>B SERIES</b>	<b>SUPERSEDES</b>	<b>DRAWING NO.</b>
5 - 11 - 15	4100	7 - 9 - 01	4100-2B