



**FIRE RATED DUCTLESS RETURN AIR  
CEILING DAMPER FOR OPTIONAL GRILLE  
RAISED TYPE  
MODELS: 4127, 4128 & 4129**

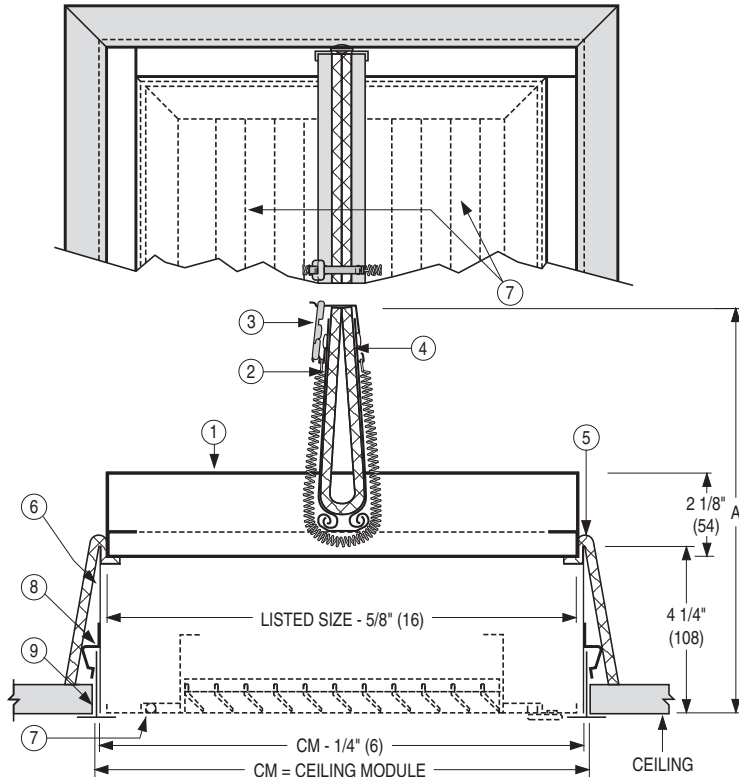
**Models:**

4127, 4128, 4129

**Some Commonly Selected Nailor  
Grille and Register Options:**

- **61EC (-0) Type L**  
Steel Return Air Eggcrate Grille (Register).
- **6145H (-0)**  
Steel Return Air Grille (Register with Opposed Blade Damper). Fixed 45° Deflection blades on 3/4" (19) centers.
- **5145H (-0)**  
Aluminum Return Air Grille (Register with Opposed Blade Damper). Fixed 45° Deflection blades on 3/4" (19) centers.
- **7145H (-0)**  
Premium Airfoil Blade  
Aluminum Return Air Grille (Register).
- **61FPL**  
Steel Perforated Face Filter Grille.

**Note:** Maximum grille depth capacity for this model is 4" (102).



CLASSIFIED  
CATEGORY  
BZZU



CLASSIFIED  
CATEGORY  
CABS & CABST

**DESCRIPTION:**

1. Damper frame: galvanized steel, standard.
2. Damper blades: galvanized steel, standard.
3. U.L. Listed fusible link: 212°F (100°C) standard.
4. Blade insulation: ceramic fiber.
5. Shroud: ceramic fiber.
6. Extension frame: galvanized steel, standard.
7. Steel or aluminum return grille/register as required.
8. Ceiling grid clip: 4 attached. 2 each on opposite sides.
9. Supplementary (or existing) ceiling grid member.

**OPTIONS:**

1. Non-standard temperature U.L. Listed fusible link.
  - 165°F (74°C)
2.  Return Grille/Register  
Specify model \_\_\_\_\_.  
AW Appliance White finish is standard.

The **Nailor Series 4100** are UL/ULC classified fire rated ceiling diffuser assemblies (ceiling dampers).

All diffusers are classified for use in UL/ULC restrained or unrestrained floor/ceiling and or roof/ceiling assemblies which incorporate an exposed grid suspended ceiling (lay-in T-bar) with up to a 3 hour rating. For details of fire rated assemblies, see the current UL or ULC Fire Resistance Directory.

As the fire protection and integrity are supplied solely by the damper assembly, any type of return air grille, filter grille or register of steel or aluminum construction may be selected and installed in the fire rated ceiling. For use with exposed grid T-bar ceilings only.

For installation instructions see IOM-FRDRINST.

**Available Sizes and Dimensional Data**

Model No.	Ceiling Module		Opening Height A
	Imperial (inches)	Metric (mm)	
4127	12 x 12	300 x 300	10 (254)
4128	24 x 12	600 x 300	10 (254)
4129	24 x 24	600 x 600	16 (406)

<b>SCHEDULE TYPE:</b>		Dimensions are in inches (mm).			
<b>PROJECT:</b>					
<b>ENGINEER:</b>	<b>DATE</b>	<b>B SERIES</b>	<b>SUPERSEDES</b>	<b>DRAWING NO.</b>	
<b>CONTRACTOR:</b>	5 - 11 - 15	4100	10 - 9 - 01	4100-3A	