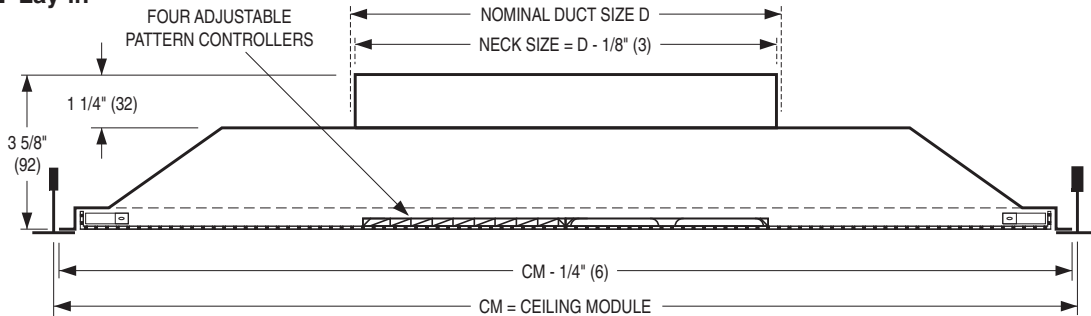




**PERFORATED CEILING DIFFUSERS**  
 SUPPLY • FLUSH FACE • FACE MOUNTED  
 DEFLECTORS • 1, 2, 3 OR 4-WAY  
 ADJUSTABLE DISCHARGE  
**MODELS: 4320, 4320A, 4320AA**

**TYPE L Lay-in**



**Available Combinations of Ceiling Module vs. Neck Size**

Ceiling Module CM		Nominal Duct Size D			
Imperial Modules	Metric Modules	Round Neck		Square Neck	
		Imperial Units (inches)	Metric Units (mm)	Imperial Units (inches)	Metric Units (mm)
12 x 12	300 x 300	6, 8	152, 203	6 x 6, 8 x 8	152 x 152, 203 x 203
16 x 16	400 x 400	6, 8, 10, 12	152, 203, 254, 305	6 x 6, 8 x 8, 10 x 10, 12 x 12	152 x 152, 203 x 203, 254 x 254, 305 x 305
24 x 12	600 x 300	6, 8	152, 203	6 x 6, 8 x 8, 18 x 6	152 x 152, 203 x 203, 457 x 152
20 x 20	500 x 500	6, 8, 10, 12, 14	152, 203, 254, 305, 356	6 x 6, 8 x 8, 10 x 10	152 x 152, 203 x 203, 254 x 254
24 x 24	600 x 600	6, 8, 10, 12, 14, 15, 16	152, 203, 254, 305, 356, 381, 406	6 x 6, 8 x 8, 10 x 10, 12 x 12, 14 x 14	152 x 152, 203 x 203, 254 x 254, 305 x 305, 356 x 356
48 x 24	1200 x 600				

**DESCRIPTION:**

1. Material: Corrosion-resistant steel.
2. Discharge pattern can adjust to vertical or 1, 2, 3 or 4-way horizontal, before or after installation.  
Discharge pattern is adjusted by dropping the perforated face and rotating the pattern deflectors. Diffusers are shipped from the factory with a 4-way discharge pattern.
3. Removable face has concealed latches for easy access to core and optional damper.
4. Perforated face has 3/16" diameter holes on 1/4" staggered centres.
5. Excellent performance in VAV systems.
6. Standard finish is AW Appliance White.

**OPTIONS:**

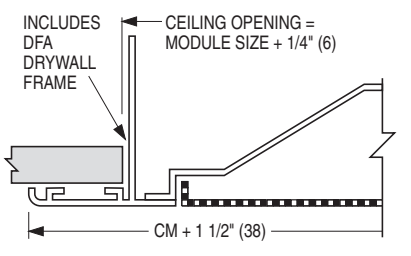
- Aluminum perforated face/steel backpan. (Model 4320A).
- Aluminum perforated face and backpan. (Model 4320AA).
- EX External Foil-Back Insulation, installed - R-4.2 (24 x 24 max.)
- EXB External Foil-Back Insulation, ships loose - R-4.2 (24 x 24 max.)
- MIB Molded Insulation Blanket - R-6.0 (24 x 24 only)

**Finish:**

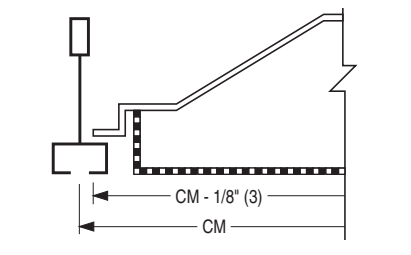
- BA Black back pan and deflectors with Appliance White face.
- SP Special \_\_\_\_\_.

Fineline® is a registered trademark of USG Interiors Inc.

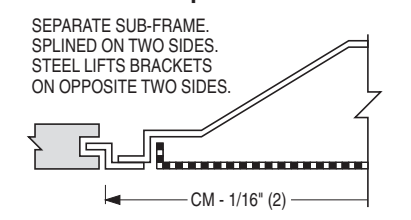
**TYPE S Surface Mount**



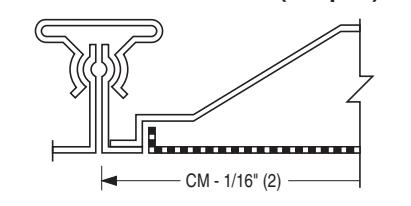
**TYPE F Fineline® T-Bar**



**TYPE SP Spline**



**TYPE M Metal Pan (Snap-in)**



Dimensions are in inches (mm).

<b>SCHEDULE TYPE:</b>					
<b>PROJECT:</b>					
<b>ENGINEER:</b>		<b>DATE</b>	<b>B SERIES</b>	<b>SUPERSEDES</b>	<b>DRAWING NO.</b>
<b>CONTRACTOR:</b>		3 - 22 - 16	4300	1 - 7 - 11	4320