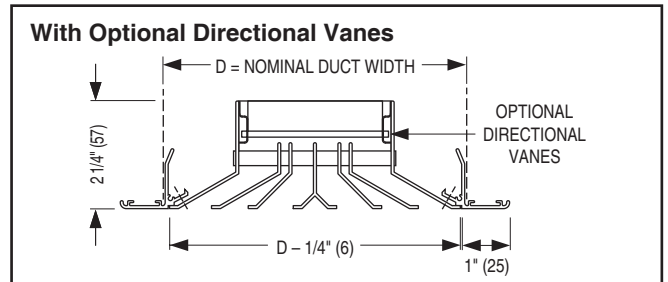
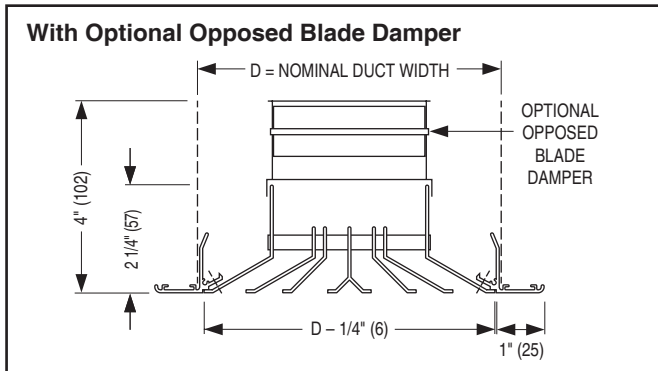
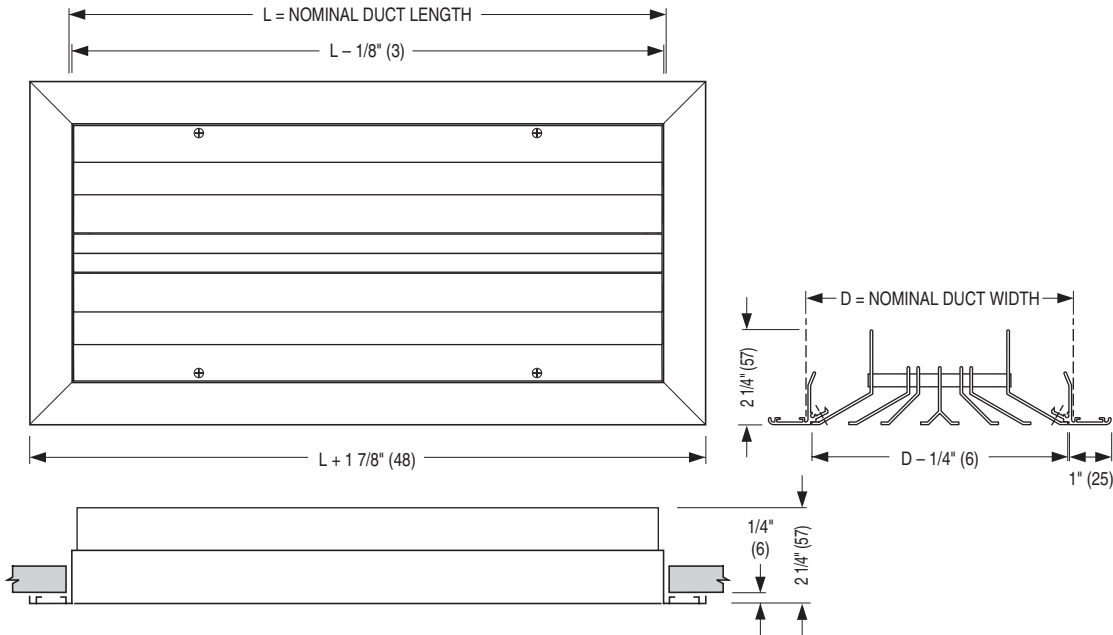




LINEAR VANE DIFFUSERS
 EXTRUDED ALUMINUM • ARCHITECTURAL
 FIXED VANES • TWO-WAY PATTERN
MODEL: 48LV2



DESCRIPTION:

1. Material: Extruded aluminum construction.
2. Nailor 48LV2 provides crisp architectural styling for supply and return air applications. The fixed linear vanes produce a tight horizontal discharge pattern and provide excellent performance in VAV applications.
3. Frame/Border is Type A with 1" (25) flange.
4. Available in listed widths only.
5. Minimum length is 8" (203). Max. single section length is 96" (2438). Sizes over 96" (2438) will be supplied in multiple section assemblies with alignment strips for a clean and continuous appearance.
6. Mitered endcaps are standard.
7. Removable core is secured with countersunk screws.
8. Fastening: Type N is standard. Designed for duct mounted installation with concealed screws through the neck of the outer frame, providing an aesthetically clean visual appearance.
9. Standard finish is AW Appliance white.

Available Widths

Listed Width W	6 1/4 (159)	7 3/4 (197)	9 1/4 (235)	10 3/4 (273)	12 1/4 (311)
Nom. Duct Width D	6 3/8 (162)	7 7/8 (200)	9 3/8 (238)	10 7/8 (277)	12 3/8 (315)

OPTIONS:

Damper:

- OBD Steel opposed blade damper.
- OBDA Aluminum opposed blade damper.
- DV Directional vanes (not available with OBD).

Finish:

- AL Aluminum.
- SP Special, Specify _____.

Fastening:

- Type A Screw Holes (in outer frame).

SCHEDULE TYPE:

PROJECT:

ENGINEER:

CONTRACTOR:

Dimensions are in inches (mm).

DATE	B SERIES	SUPERSEDES	DRAWING NO.
10-8-20	48LV	7-30-20	48LV2