



**LINEAR SLOT DIFFUSERS**  
(IMPERIAL UNITS – INCHES)  
EXTRUDED ALUMINUM  
**MODEL SERIES: 5000**  
**FRAME TYPES A, B, C, D**

Duct Width D Dimension  
S = slot width

Frame Type	No. of Slots	5050	5075	5010	5015
		5050R	5075R	5010R	5015R
		S = 1/2"	S = 3/4"	S = 1"	S = 1 1/2"
<b>A</b> <b>B</b>	1	1 5/8"	1 7/8"	2 1/8"	2 5/8"
	2	2 7/8"	3 3/8"	3 7/8"	4 7/8"
	3	4 1/8"	4 7/8"	5 5/8"	7 1/8"
	4	5 3/8"	6 3/8"	7 3/8"	9 3/8"
	5	6 5/8"	7 7/8"	9 1/8"	11 5/8"
	6	7 7/8"	9 3/8"	10 7/8"	13 7/8"
	7	9 1/8"	10 7/8"	12 5/8"	16 1/8"
	8	10 3/8"	12 3/8"	14 3/8"	18 3/8"
	9	11 5/8"	13 7/8"	16 1/8"	20 5/8"
	10	12 7/8"	15 3/8"	17 7/8"	22 7/8"

Frame Type	No. of Slots	5050	5075	5010	5015
		5050R	5075R	5010R	5015R
		S = 1/2"	S = 3/4"	S = 1"	S = 1 1/2"
<b>C</b> <b>D</b>	1	2"	2 1/4"	2 1/2"	3"
	2	3 1/4"	3 3/4"	4 1/4"	5 1/4"
	3	4 1/2"	5 1/4"	6"	7 1/2"
	4	5 3/4"	6 3/4"	7 3/4"	9 3/4"
	5	7"	8 1/4"	9 1/2"	12"
	6	8 1/4"	9 3/4"	11 1/4"	14 1/4"
	7	9 1/2"	11 1/4"	13"	16 1/2"
	8	10 3/4"	12 3/4"	14 3/4"	18 3/4"
	9	12"	14 1/4"	16 1/2"	21"
	10	13 1/4"	15 3/4"	18 1/4"	23 1/4"

End Caps Configuration

**SPECIFY**

MM

FF

MO

FO

MC

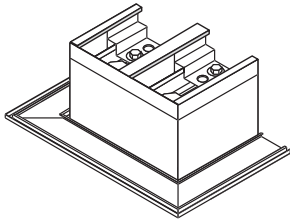
FC

OO

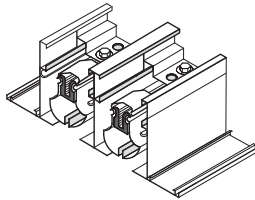
OC

CC

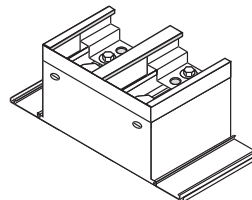
**M - Mitered End Cap (Std.)**



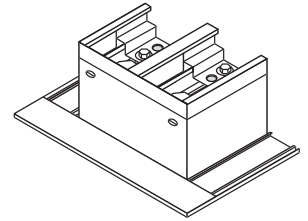
**O - Open End**



**C - Flat End Cap**



**F - Flanged End Cap**



**Overall Length Dimensions and End Cap Position**

Frame Type	M		F		M		O		O		O		C		C	
	E	L	E	L	E	L †	E	L †	E	L	E	L	E	L	E	L
<b>A, B</b>	D - 1/2	D + 1	D - 1/2	D + 1 1/2	D - 1/4	D + 1/2	D - 3/16	D + 9/16	D	D	D - 1/16	D - 1/16	D - 1/8	D - 1/8	D - 1/8	D - 1/8
<b>C</b>	D - 1/2	D + 1	D - 1/2	D + 1 1/2	D - 1/4	D + 1/2	D - 3/16	D + 9/16	D	D	D - 1/16	D - 1/16	D - 1/8	D - 1/8	D - 1/8	D - 1/8
<b>D</b>	D - 1/2	D + 1/2	D - 1/2	D + 1	D - 1/4	D + 1/4	D - 3/16	D + 7/16	D	D	D - 1/16	D - 1/16	D - 1/8	D - 1/8	D - 1/8	D - 1/8

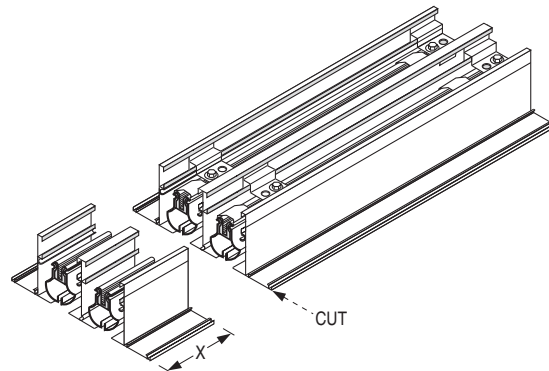
† Configurations FO and FC: Add 1/4.

D = Duct length E = End cap position L = Overall length

**Field Trimming of Diffusers**

If "X" is less than 3" (76) at either end (6" [152] total), standard **Model 5000** or **5000R** can be field-cut.

• Factory-Cut Diffusers **Model 5000** or **5000R** are ordered for a specific length from the factory, but can be trimmed as much as 6" (152) in length, (3" [76] from each end) with a fine tooth, high speed carbon steel metal cutting blade.



**SCHEDULE TYPE:**

**PROJECT:**

**ENGINEER:**

**CONTRACTOR:**

Dimensions are in inches (mm).

DATE	B SERIES	SUPERSEDES	DRAWING NO.
11 - 1 - 12	5000	10 - 25 - 07	5000-1B