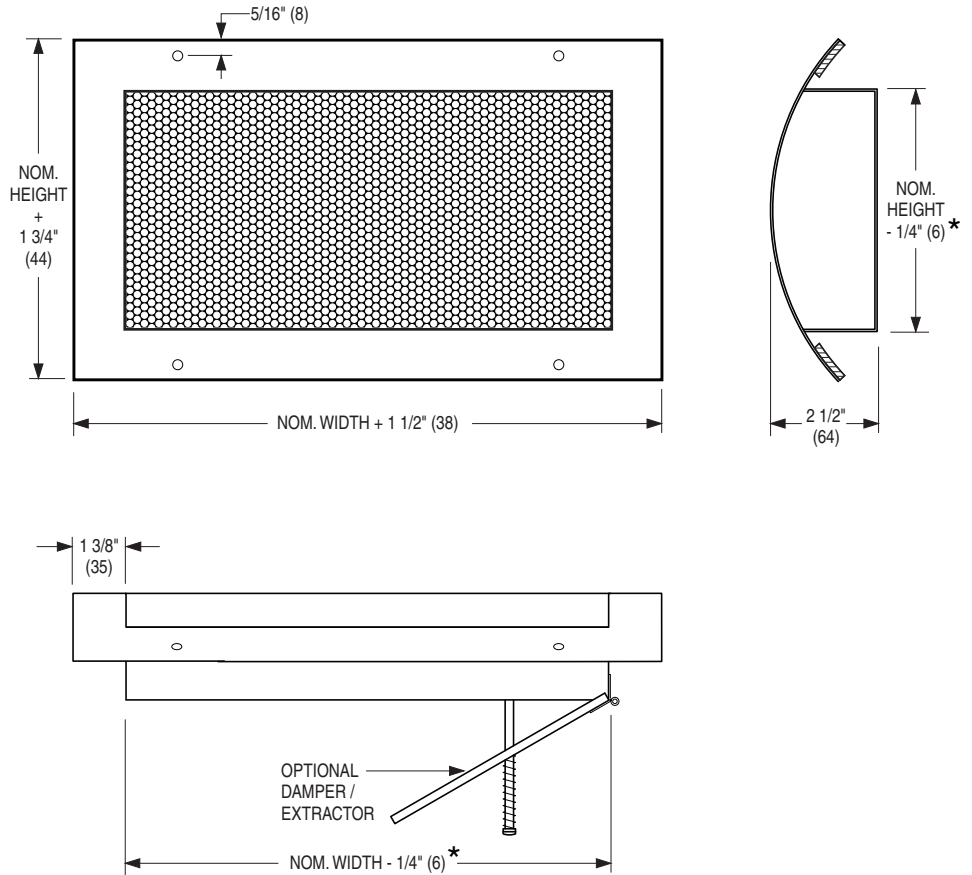




ALUMINUM CURVED SPIRAL DUCT GRILLES
 TRUE FULL RADIUS DESIGN
 PERFORATED FACE • RETURN
MODELS: 51PRC

MODEL 51PRC
 Perforated Face



Available Sizes

Grille Width Min. - Max.	Grille Height	Duct Diameter Min. - Max.
10 - 48 (254 - 1219)	3 (76)	6 - 36 (152 - 914)
10 - 48 (254 - 1219)	4 (102)	6 - 36 (152 - 914)
10 - 48 (254 - 1219)	6 (152)	8 - 36 (203 - 914)
10 - 48 (254 - 1219)	8 (203)	10 - 36 (254 - 914)
10 - 48 (254 - 1219)	10 (254)	12 - 36 (305 - 914)
12 - 36 (305 - 914)	12 (305)	14 - 36 (356 - 914)

Duct diameters in even sizes only. Grilles available in nominal 1" (25) increments in width.

* Opening = Nominal + 1/4" (6) with DEX Damper/Extractor option.

Important:

Grilles are custom fabricated to fit only a single specified duct diameter.

DESCRIPTION:

1. Nailor's unique curved spiral duct grille design offers an architecturally superior appearance and saves installation time and money by directly mounting to the duct and hence eliminating the need to fabricate stand-off saddles for standard grilles. The 51PRC may be used for supply and/or return air applications.
2. Construction: Unique architectural single piece aluminum frame design is rolled to match required duct radius, eliminating unsightly non-aligned butted corners. Perforated face has 3/16" (5) dia. holes on staggered 1/4" (6) centers. 51% free area.
3. A thick foam gasket is provided as standard to ensure a tight seal to duct.
4. Standard fastening is Type A screw holes.
5. Standard finish is AW Appliance White.

Options:

- DEX Damper/Extractor* (Air scoop) (For supply air applications).

Finish:

- AL Aluminum.
- MI Mill.
- SP Special. Specify _____.

SCHEDULE TYPE

PROJECT

ENGINEER

CONTRACTOR

Dimensions are in inches (mm).

DATE

B SERIES

SUPERSEDES

DRAWING NO.

9 - 22 - 11

5100C

4 - 12 - 11

5100C-3