

**DESCRIPTION:**

- Standard design is for use with flush slot type light troffers and fits most models.
- Custom fabrication available to suit individual light troffer designs.
- Adjustable piano-type hinge pattern controllers.
- Low profile side inlet. Collars are sized for nominal duct connection.
- Option available for regressed slot light troffers.

**STANDARD CONSTRUCTION:**
**MATERIAL:** 22 ga. corrosion-resistant steel.

**FINISH:** BK Black on exposed surfaces.

**INLET SELECTION:**

- S4 4" (102) Round side
- S5 5" (127) Oval side
- S6 6" (152) Oval side

**SPECIFY:**

'A' dimension (if non-standard) \_\_\_\_\_ .

**OPTIONS:**

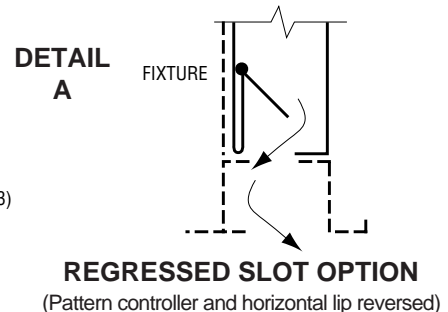
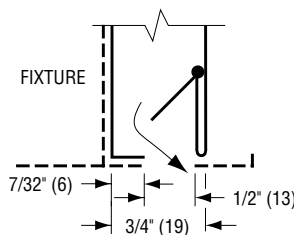
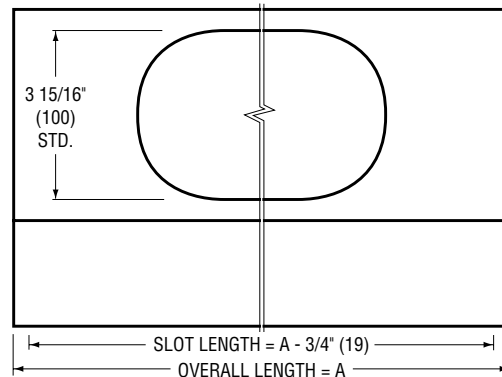
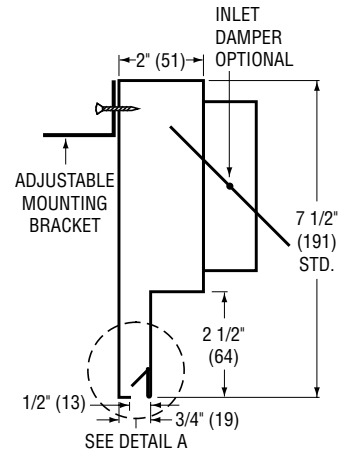
- IN Internal insulation
- EX External foil back insulation
- RS Regressed slot light fixture
- ID Inlet damper

**SPECIAL FEATURES:**

Specify \_\_\_\_\_ .

**NOTE:**

The light troffer manufacturer should provide an approved fully dimensioned drawing to ensure compatibility. In some cases, a sample light fixture will be required to be sent to the factory.


**STANDARD MODEL**
**REGRESSED SLOT OPTION**

(Pattern controller and horizontal lip reversed)

**STANDARD DIMENSIONAL DATA:**

TROFFER SIZE (CEILING MODULE)			
IMPERIAL MODULES (INCHES)		METRIC MODULES (MM)	
FIXTURE NOM. LENGTH	A	FIXTURE NOM. LENGTH	A
24	17 1/2	600	445
36	25 3/4	900	654
48	41 1/2	1200	1054
60	49 3/4	1500	1264

**SCHEDULE TYPE:**
**PROJECT:**
**ENGINEER:**
**CONTRACTOR:**

Dimensions are in inches (mm).

**DATE**
**B SERIES**
**SUPERSEDES**
**DRAWING NO.**
**3 - 8 - 00R**
**5400**
**1 - 11 - 99R**
**5400-1**