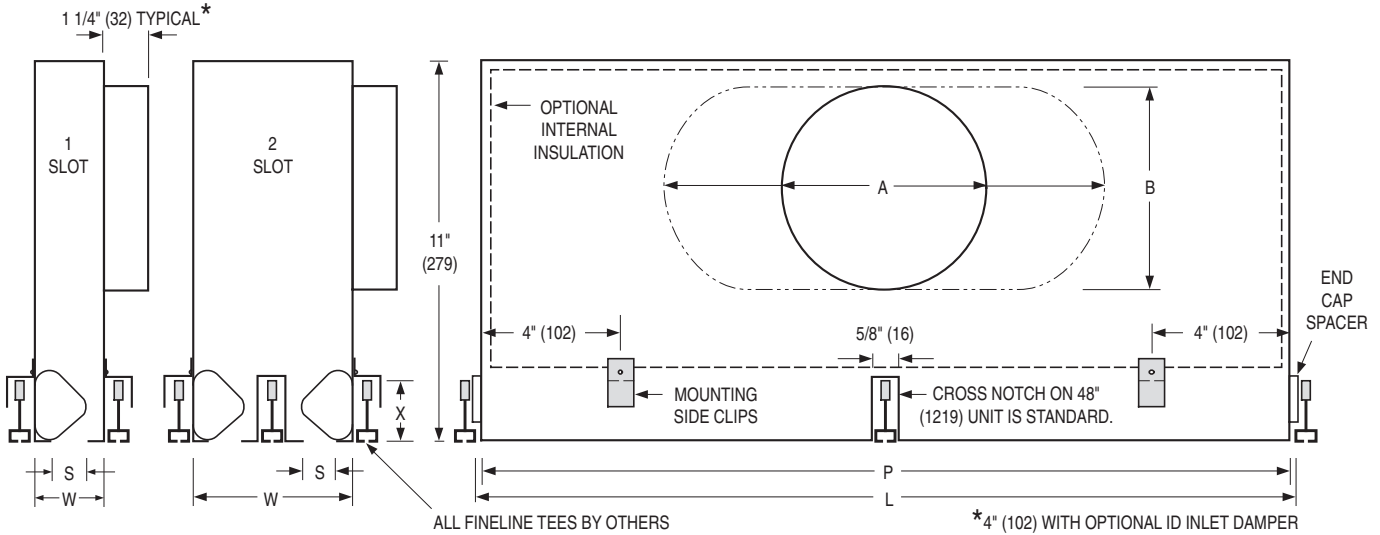




**PLENUM SLOT DIFFUSER  
FOR NARROW REGRESSED T-BAR CEILING SYSTEMS  
"FLIP-FLOP" PATTERN CONTROLLERS  
MODELS: 5675-F AND 5610-F**



**DESCRIPTION:**

1. The 5600-F Series is a flexible, high performance plenum slot diffuser and an excellent choice for VAV applications.

2. The 5600-F Series has been specially developed to integrate with and complement 'Fineline<sup>®</sup>' type suspended ceiling grids.

Available in 24" (600) or 48" (1200) nominal lengths to suit both imperial and metric ceiling grids. A choice of two slot widths and one or two slot configurations are available.

The single slot units are for installation alongside a main T-Bar runner. Two slot units incorporate a center hat channel and are designed to straddle longitudinally a main T-Bar runner.

3. The 5600-F Series features a roll-formed curved blade pattern controller in each slot. Aerodynamically designed to produce a fixed horizontal discharge pattern, the controller is pivoted at either end and may be simply rotated with fingers from the diffuser face for either a left or right discharge direction. In either horizontal discharge setting, the coanda effect is maximized and a tight blanket of air is projected across the ceiling. The horizontal pattern is maintained throughout a wide range of cataloged air volumes from maximum to minimum flow. They are an excellent choice for VAV applications.

4. Pattern controller is split mid-way on 48" (1219) units and allows a 2-way opposite blow pattern from a single slot.

5. Material: Corrosion resistant steel for plenum, pattern controllers and center tees.

6. Finish: AW Appliance White on T-Bars. BK Black pattern controllers and exposed surfaces.

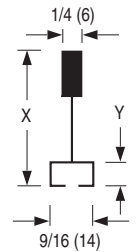
**SPECIFIED T-BAR:**  A  C  D

**OPTIONS:**

- 1.  EX External Foil Back Insulation
- 2. Internal Insulation
  - a.  Model 5675I-F  Model 5610I-F
  - b.  FGI 1/4" (6) Coated Fiberglass (std.)  FFI 3/8" (10) Fiber-free foam
- 3.  ID Inlet Damper
- 4.  CN Cross Notch. For 48" (1219) nominal length diffusers. The vast majority of ceiling systems utilize a 2' x 2' (610 x 610) grid and require this option.
  - No Cross Notch on 48" (1219) units.

**Imperial Ceiling Modules (inches)**

Nominal Length	Overall Length L	Plenum Length P
24	23 3/4	23 3/8
48	47 3/4	47 3/8



**Metric Ceiling Modules (mm)**

Nominal Length	Overall Length L	Plenum Length P
600	594	584
1200	1194	1184

Model	S Slot Width	Width W	
		1 Slot	2 Slot
5675-F	3/4" (19)	1 3/4" (44)	4 1/8" (105)
5610-F	1" (25)	2" (51)	4 5/8" (117)

T-Bar Type (Manufacturer)	X	Y
<b>A</b> Chicago Metallic Ultraline	1 3/4" (44)	5/16" (8)
<b>C</b> Certainteed Smoothline	1 5/8" (41)	5/16" (8)
<b>D</b> Donn Fineline	1 25/32" (45)	5/16" (8)

	Nominal Inlet Size			
	6" (152) Round	8" (203) Round	10" (254) Oval	12" (305) Oval
<b>A</b>	5 7/8" (149)	7 7/8" (200)	11" (279)	14 1/8" (359)
<b>B</b>	—	—	7 7/8" (200)	7 7/8" (200)

Fineline<sup>®</sup> is a registered trademark of USG Interiors Inc.

Dimensions are in inches (mm).

<b>SCHEDULE TYPE:</b>				
<b>PROJECT:</b>				
<b>ENGINEER:</b>	<b>DATE</b>	<b>B SERIES</b>	<b>SUPERSEDES</b>	<b>DRAWING NO.</b>
<b>CONTRACTOR:</b>	5 - 23 - 18	5600	NEW	5600-F1