

PF Slot Diffuser Plaster Frame

Slot diffuser mounting frames allow plenum slot diffusers to be installed in drywall or plaster ceilings. Installation of the frame in the ceiling is by others.

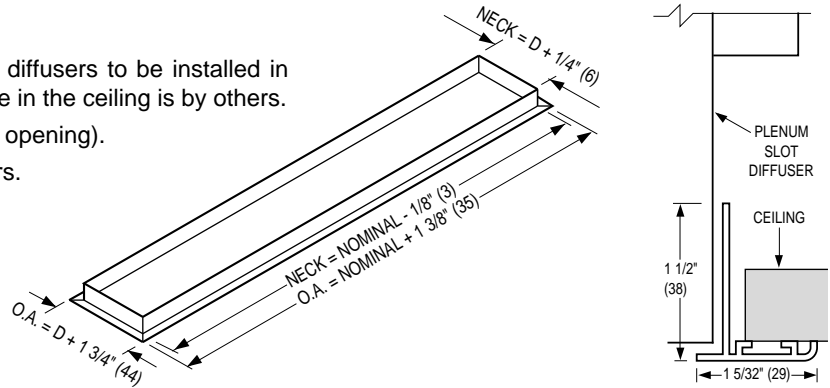
(Note: Diffuser will not fit through a plaster frame opening).

Material: Extruded aluminum with mitered corners.

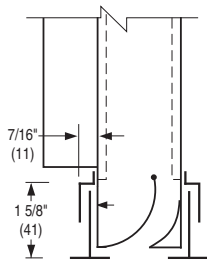
Recommended Ceiling Opening dimensions:

Width = Diffuser Width (D) + 1/2" (13)

Length = Nominal Diffuser Length + 1/4" (6)

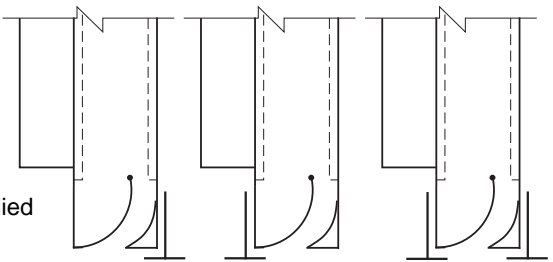

 Mounting Clips

- M1** One Side
(2 opposite inlet side)
- M2** Both sides
(4)


 Supplementary T-Bars

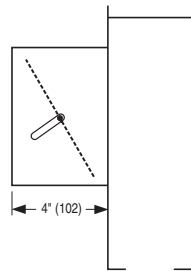
- T1** One on inlet side
- T0** One opposite inlet side
- T2** Two on both sides

Note: Center T-Bars are supplied by **Nailor** as standard.

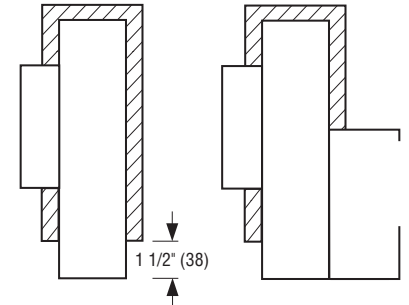

 ID Inlet Damper

(Supply models only)

The single blade damper is an economical factory installed option that permits air balancing of the device at the plenum inlet. Ceiling access is required.

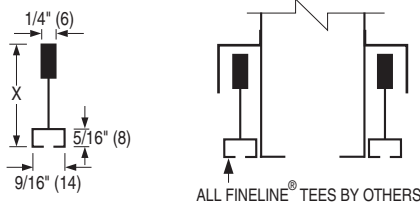

 External Foil Back Insulation

EX 1/2" (13) thick
 1/2" (13) thick fiberglass blanket with a reinforced aluminum foil scrim-craft (FSK) facing, providing a vapor barrier.


 Fineline/Bolt-Slot T-Bar Ceiling Construction

(24" [610] and 48" [1219] Nominal length only)
 Plenum length = Nominal - 5/8" (16)

- FNLA** **FNLC** **FNLD**

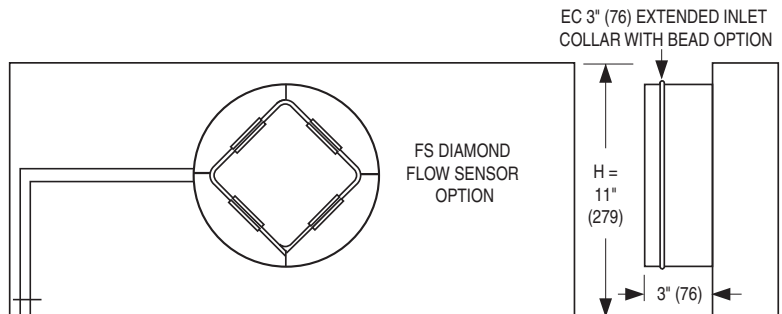


T-Bar Type (Manufacturer)	X
FNLA Armstrong Silhouette	1 3/4" (44)
FNLC Chicago Metallic Ultraline	1 5/8" (41)
FNLD Donn Fineline	1 25/32" (45)

Fineline® is a registered trademark of USG Interiors Inc.

 EC Extended Inlet Collar with Bead
 FS Diamond Flow Sensor with Extended Inlet Collar and Bead

Optional multi-point Diamond Flow sensor provides accurate field balancing. Gauge taps are conveniently located flush in the slot face eliminating the need for ceiling access. Includes 3" (76) extended inlet collar. 6" (152) and 8" (203) round inlet sizes only. Units with FS option are 11" (279) high.


SCHEDULE TYPE:
PROJECT:
ENGINEER:
CONTRACTOR:

Dimensions are in inches (mm).

DATE
B SERIES
SUPERSEDES
DRAWING NO.

4 - 28 - 14

59N

5 - 11 - 09

59N_BS-ACC