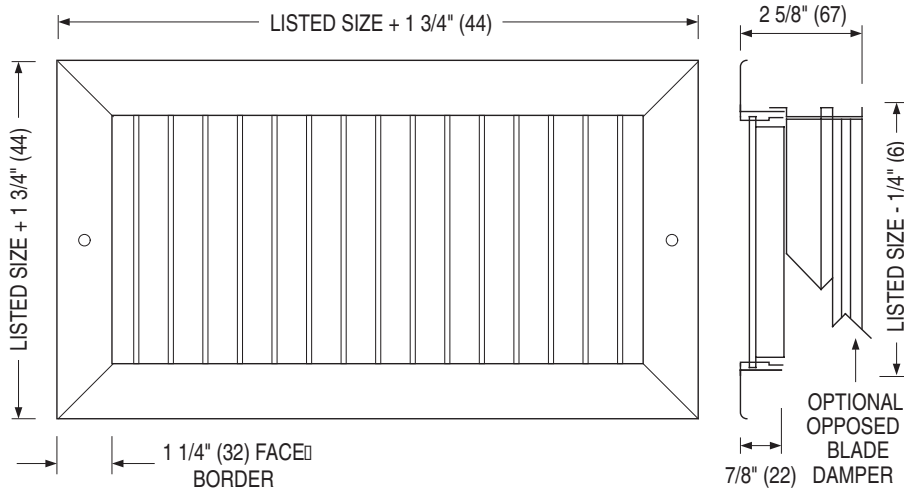




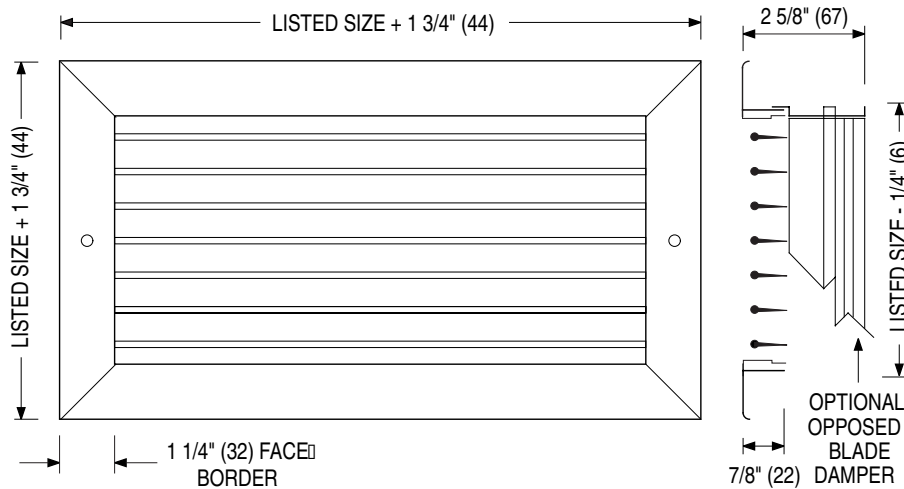
**STEEL SUPPLY GRILLES & REGISTERS**  
**SINGLE DEFLECTION • ADJUSTABLE**  
**MODELS: 61SV(-O) AND 61SH(-O)**



**Frame/Border Type S:**  
Surface Mount

**Model 61SV**  
Single Deflection Grille  
Vertical Front Blades

**Model 61SV-O**  
Single Deflection Register  
Vertical Front Blades  
(Includes O. B. Damper)



**Frame/Border Type S:**  
Surface Mount

**Model 61SH**  
Single Deflection Grille  
Horizontal Front Blades

**Model 61SH-O**  
Single Deflection Register  
Horizontal Front Blades  
(Includes O. B. Damper)

**DESCRIPTION:**

1. Construction: Corrosion resistant steel. Roll-formed frame mechanically interlocked with mitered corners for strength. A single set of roll-formed 'teardrop' blades on 3/4" (19) centers provide air control in a single plane. Blades are individually pivoted to ensure positive positioning when adjusted to desired deflection setting.
2. Optional roll-formed steel opposed blade damper has a screw driver slot operator accessible through face of register.
3. Minimum size is 4" x 4" (102 x 102).  
Maximum size is 48" x 36" (1219 x 914).
4. Type S Surface mount frame has a 1 1/4" (32) face border and a 1" (25) overlap margin.
5. Standard fastening is Type A countersunk screw holes.
6. Standard finish is AW Appliance White.

**OPTIONS:**

1. Finish:
  - SP Special \_\_\_\_\_.
2. Fastening (Type S):
  - Type C Concealed mounting straps
  - Type D Concealed screw holes in neck
  - Type N None.
3.  PF Plaster sub-frame
4.  IS Insect screen
5.  Other \_\_\_\_\_.

**SCHEDULE TYPE:**

**PROJECT:**

**ENGINEER:**

**CONTRACTOR:**

Page 1 of 2  
Dimensions are in inches (mm).

DATE	B SERIES	SUPERSEDES	DRAWING NO.
9-24-19	6100	2-1-11	6100-1

### Panel Mounted/Ceiling Modules

**Border Type PLS: Steel Lay-in Panel**

The grille or register is mounted in an extended panel to suit standard T-Bar Lay-in type ceilings.

**Border Type FPS: Steel Finline<sup>®</sup> Panel**

The grille or register is mounted in an extended panel that will fit a 9/16" (14) narrow regressed (bolt slot) T-Bar ceiling grid or 9/16" (14) Flat T-Bar with tegular ceiling tile.

**Border Type SPS: Steel Spline Panel**

The grille or register is mounted in an extended panel to suit spline type ceiling modules. CM 24" x 24" (600 x 600) only.

**Border Type MPS: Steel Metal Pan Panel**

The grille or register is mounted in an extended panel to suit metal pan ceilings that have snap-in type ceiling modules. CM 24" x 24" (600 x 600) only.

**Border Type TPS: Steel Tegular Panel**

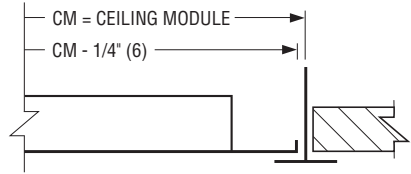
The grille or register is mounted in a panel that will extend below a 15/16" (24) Flat T-Bar ceiling grid.

**Available Border Type PLS, FPS and TPS Ceiling Module Sizes**

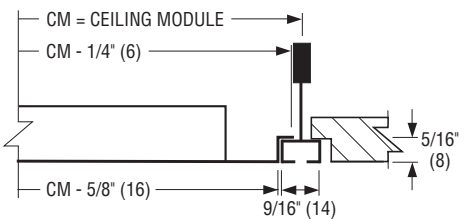
Ceiling Module	
Imperial Units (in.)	Metric Units (mm)
12 x 12	300 x 300
24 x 12	600 x 300
36 x 12	900 x 300
48 x 12	1200 x 300
20 x 20	500 x 500
24 x 24	600 x 600
36 x 24	900 x 600
48 x 24	1200 x 600

Maximum grille neck size is CM Ceiling Module – 3" (76).

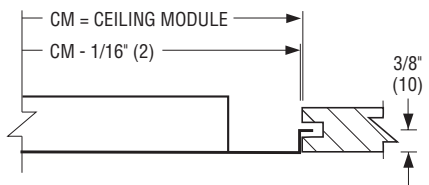
**Type PLS Lay-in Panel**



**Type FPS Finline<sup>®</sup> Panel**

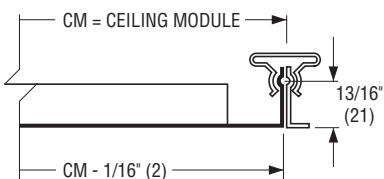


**Type SPS Spline Panel**

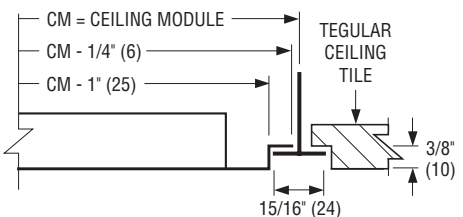


Note: Splines on two opposite sides.

**Type MPS Metal Pan Panel**



**Type TPS Tegular Panel**



**SCHEDULE TYPE:**

**PROJECT:**

**ENGINEER:**

**CONTRACTOR:**

Page 2 of 2  
 Dimensions are in inches (mm).

**DATE**

**B SERIES**

**SUPERSEDES**

**DRAWING NO.**

9-24-19

6100

2-1-11

6100-1