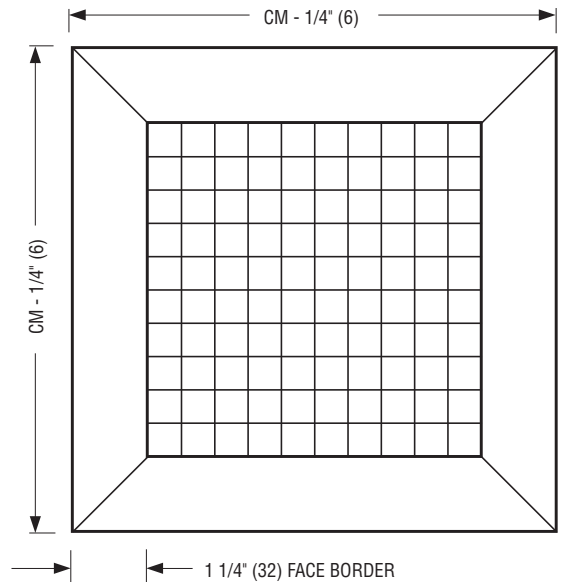
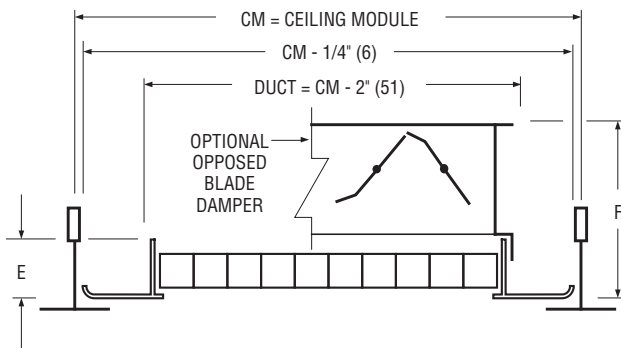




**STEEL EGGCRATE RETURN GRILLES
AND REGISTERS**
LAY-IN T-BAR • ALUMINUM CORE
MODELS: 61EC(-O) TYPE L



DIMENSION	STANDARD FRAME WITH 1/2 x 1/2 x 1/2 STD. CORE	WITH 1/2 x 1/2 x 1 OR 1 x 1 x 1 OPTIONAL CORE
E	7/8" (22)	1 1/4" (32)
F	2 5/8" (67)	3" (76)

STEEL FRAME/BORDER

- MODEL 61EC TYPE L GRILLE MODEL 61EC-O TYPE L REGISTER

DESCRIPTION:

- Construction: Corrosion-resistant steel frame mechanically interlocked with hairline mitered corners for strength on Model 61EC Type L. 1/2 x 1/2 x 1/2 (13 x 13 x 13) aluminum grid core (code CA) is standard on all models. A high capacity return or exhaust outlet with maximum free area for minimum pressure drop and sound generation.
- Optional roll-formed steel opposed blade damper has a screw driver slot operator accessible through face of register.
- Minimum size is 4" x 4" (102 x 102).
Maximum size is 48" x 48" (1219 x 1219) for Model 61EC Type L.
Nominal List Size = Ceiling Module Size.
- Standard finish is AW Appliance White.

OPTIONS:

- Finish:
 - SA Satin (clear) anodized frame/mill core.
 - SP Special _____.
- IS Insert screen
- Non-standard core:
 - CB 1/2 x 1/2 x 1 (13 x 13 x 25)
 - CC 1 x 1 x 1 (25 x 25 x 25)
 - Other _____.

SCHEDULE TYPE:	Dimensions are in inches (mm).
PROJECT:	
ENGINEER:	
CONTRACTOR:	

DATE	B SERIES	SUPERSEDES	DRAWING NO.
2 - 1 - 11	6100	6100-48/8-29-05	61EC-2