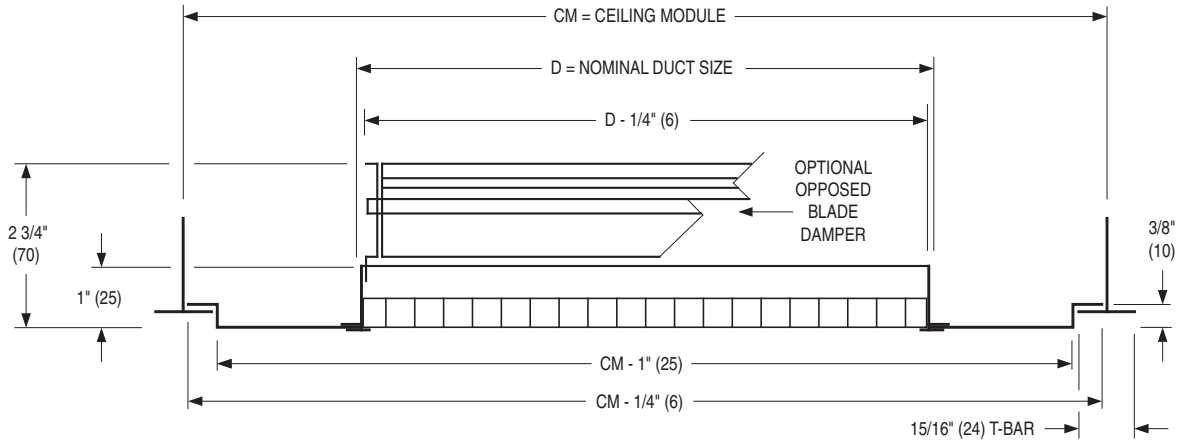




EGGCRATE RETURN GRILLES & REGISTERS
ALUMINUM CORE • STEEL FRAME
TEGULAR PANEL MOUNTED • LAY-IN T-BAR
MODELS: 61EC(-O) TYPE TPS

TO MATCH TEGULAR TILE LAY-IN 1" (25) T-BAR TYPE CEILING SYSTEMS



AVAILABLE CEILING MODULE SIZES		
Imperial Modules		Metric Modules
Imperial Units (in.)	Metric Units (mm)	S.I. Units (mm)
12 x 12	305 x 305	300 x 300
24 x 12	610 x 305	600 x 300
36 x 12	914 x 305	900 x 300
48 x 12	1219 x 305	1200 x 300
20 x 20	508 x 508	500 x 500
24 x 24	610 x 610	600 x 600
36 x 24	914 x 610	900 x 600
48 x 24	1219 x 610	1200 x 600

- MODEL 61EC** Eggcrate Return Air Grille
- Type TPS** Tegular Steel Panel

- MODEL 61EC-O** Eggcrate Return Air Register (Includes O. B. Damper)
- Type TPS** Tegular Steel Panel

Maximum Duct/Neck Size D = Ceiling Module - 3" (76)

DESCRIPTION:

- Material: Aluminum core with corrosion-resistant steel frame mounted in an extended panel.
- Models 61EC and 61EC-O Type TPS have been specially designed for high capacity (90% free area) return air applications and to integrate with and compliment standard 1 (25) nominal exposed grid T-Bar suspended ceiling systems utilizing tegular (drop face) ceiling tiles. The return grille or register is mechanically assembled and using a special frame captures the module sized panel, which eliminates welding and assures a clean smooth blemish free painted finish.
- 1/2" x 1/2" x 1/2" (13 x 13 x 13) aluminum grid core standard (code CA).
- Optional roll-formed steel opposed blade damper has a screwdriver slot operator accessible through face of register.
- Standard finish is AW Appliance White.

OPTIONS:

- Finish:
 - SP Special _____ .
- Non-standard core:
 - CB 1/2" x 1/2" x 1" (13 x 13 x 25)
 - CC 1" x 1" x 1" (25 x 25 x 25)

SCHEDULE TYPE:	
PROJECT:	
ENGINEER:	
CONTRACTOR:	

Dimensions are in inches (mm).

DATE	B SERIES	SUPERSEDES	DRAWING NO.
11 - 11 - 15	6100	6 - 2 - 14	61EC-4A