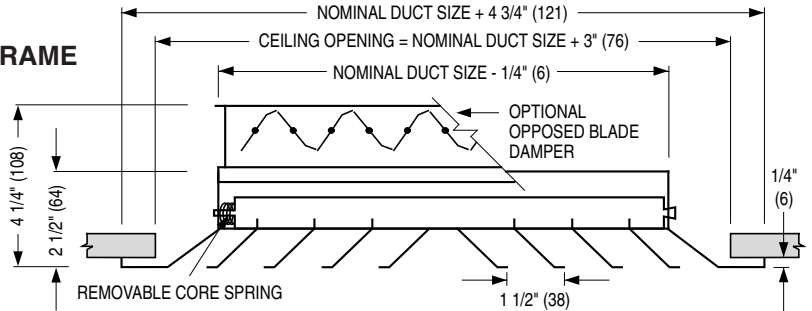




**PATTERN CEILING DIFFUSERS**  
**ALUMINUM • SQUARE, RECTANGULAR OR**  
**ROUND NECK**  
**MODELS: 6200 AND 6200-O TYPES S & B**

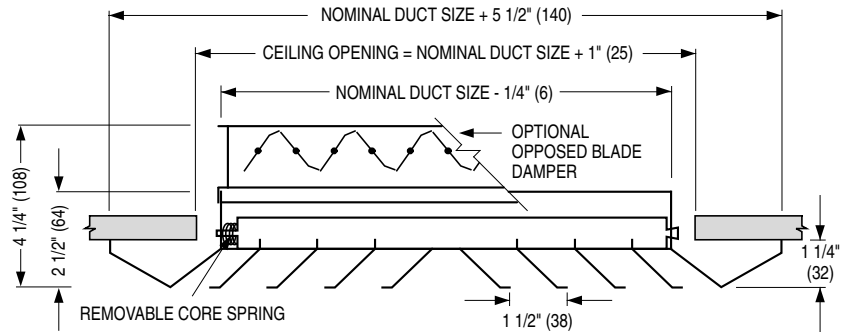
**TYPE S • SURFACE MOUNT • FLAT FRAME**

Minimum duct size: 6 x 6 (152 x 152)  
 Maximum duct size: 36 x 36 (914 x 914)  
 or 36 x 24 (914 x 610) with O.B.D.  
 Available in 3" (76) increments only.



**TYPE B • BEVELED DROP FACE • SURFACE MOUNT**

Minimum duct size: 6 x 6 (152 x 152)  
 Maximum duct size: 36 x 36 (914 x 914)  
 or 36 x 24 (914 x 610) with O.B.D.  
 Available in 3" (76) increments only.



**CORE STYLE SELECTION**

	SQUARE	RECTANGULAR	
→ 1-WAY	□ 1S	□ 1A	□ 1B
↕ 2-WAY	□ 2S	□ 2A	□ 2B
↙ 2-WAY CORNER	□ 2G	□ 2E	□ 2F
↻ 3-WAY	□ 3A	□ 3A1 (A is greater than B)	□ 3A2 (B is less than A but greater than A/2)
		□ 3B (B is equal to A/2)	□ 3E (B is less than A/2)
↔ 4-WAY	□ 4A	□ 4B	□ 4C

Patterns are shown in plan view (looking down into inlet).

**DESCRIPTION:**

1. Material: Aluminum.
2. Model 6200 is a high capacity ceiling diffuser available in 1, 2, 3 or 4-way blow patterns to provide a tight horizontal airflow pattern from maximum to minimum airflow. Ideal for VAV applications.
3. Spring-loaded removable core.
4. Standard finish is AW Appliance White.

**OPTIONS:**

**SQUARE AND RECTANGULAR NECK**

- Steel opposed blade damper. Model 6200-O.
- Aluminum opposed blade damper. Model 6200-OA.

**ROUND NECK**

- SR Square to round transition collar
- SR-O Square to round transition collar for use over O.B.D.
- 4275 Radial Opposed Blade Damper (round)
- 4250 Radial Sliding Blade Damper (round)
- 4675 Butterfly Damper (round)

**EXTERNAL INSULATION**

- EX External Foil-Back Insulation, installed -R-4.2.

**OPTIONAL FINISH:**

- SP Special. Specify \_\_\_\_\_.

<b>SCHEDULE TYPE:</b>		Dimensions are in inches (mm).			
<b>PROJECT:</b>					
<b>ENGINEER:</b>	<b>DATE</b>	<b>B SERIES</b>	<b>SUPERSEDES</b>	<b>DRAWING NO.</b>	
<b>CONTRACTOR:</b>	11 - 24 - 16	6200	5 - 11 - 15	6200-1	