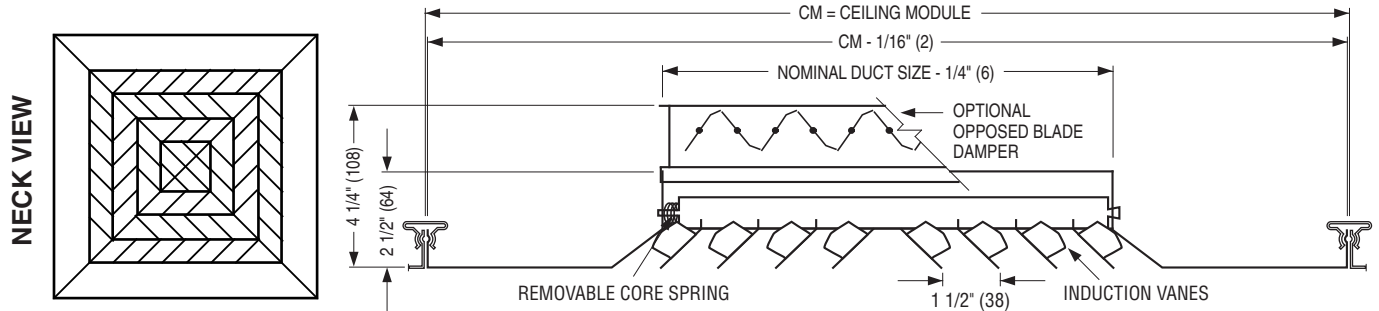




**PATTERN CEILING DIFFUSERS  
WITH IV INDUCTION VANES**  
ALUMINUM • SQUARE, RECT. OR ROUND NECK  
MODELS: 6400IV AND 6400IV-O TYPE M

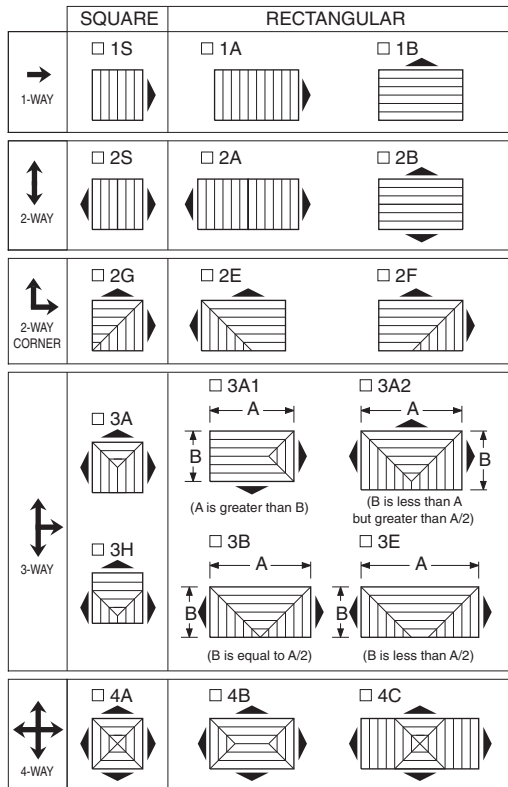
**TYPE METAL PAN (SNAP-IN)**



If the ceiling module is not 3" (76) larger than the neck size of the diffuser in both dimensions, a steel, module sized extended panel will be added.  
Minimum duct size: 6 x 6 (152 x 152).  
Maximum duct size: see table.  
Available in 3" (76) increments only.

IMPERIAL MODULES				METRIC MODULES	
Imperial Units (in.)		Metric Units (mm)		Metric Units (mm)	
CM	Maximum Duct Size	CM	Maximum Duct Size	CM	Maximum Duct Size
12 x 12	9 x 9	305 x 305	229 x 229	300 x 300	152 x 152
24 x 12	21 x 9	610 x 305	533 x 229	600 x 300	457 x 152
24 x 24	21 x 21	610 x 610	533 x 533	600 x 600	457 x 457

**CORE STYLE SELECTION**



Patterns are shown in plan view (looking down into inlet).

**DESCRIPTION:**

1. Material: Extruded aluminum. Extended panel where required is corrosion-resistant coated steel.
2. Model 6400IV is a high capacity ceiling diffuser available in 1, 2, 3 or 4-way blow patterns especially designed for optimum performance in heating and cooling applications. The induction vanes consist of 45° angled diffusion vanes spaced 1 1/2" (38) apart on the back of each diffuser louver. Vane sets on adjacent parallel louvers run in opposite directions and cause primary air to emerge from each louver at alternating angles. The resulting turbulent discharge air jets produce high induction rates and rapid temperature equalization, making the diffuser highly suitable for VAV applications.
3. Spring-loaded removable core.
4. Standard finish is AW Appliance White.

**OPTIONS:**

- PLA Aluminum Extended Panel.
- SQUARE AND RECTANGULAR NECK**
- Steel opposed blade damper. Model 6400IV-O.
  - Aluminum opposed blade damper. Model 6400IV-OA.

**ROUND NECK**

- SR Square to round transition collar
- SR-O Square to round transition collar for use over O.B.D.
- 4275 Radial Opposed Blade Damper (round)
- 4250 Radial Sliding Blade Damper (round)

**EXTERNAL INSULATION**

- EX External Foil-Back Insulation, installed - R-4.2.

**OPTIONAL FINISH:**

- SP Special. Specify \_\_\_\_\_.

<b>SCHEDULE TYPE:</b>	Dimensions are in inches (mm).			
<b>PROJECT:</b>				
<b>ENGINEER:</b>	<b>DATE</b>	<b>B SERIES</b>	<b>SUPERSEDES</b>	<b>DRAWING NO.</b>
<b>CONTRACTOR:</b>	2 - 8 - 18	6400	1 - 16 - 17	6400IV-6