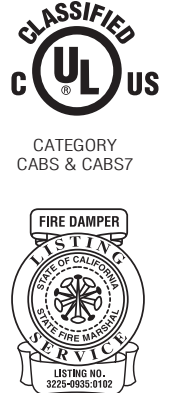
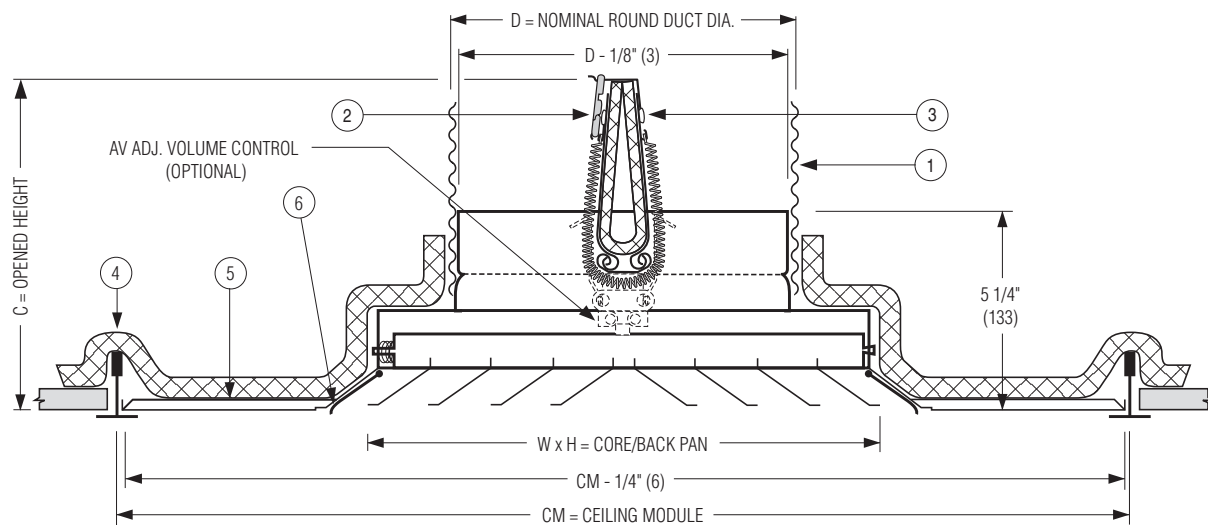




FIRE RATED PATTERN CEILING DIFFUSER
ADJUSTABLE VANES • STEEL • ROUND NECK
MODEL: 6555FRD



Dimensional Data and Sizing Availability:

Ceiling Module	Core / Back Pan	Round Neck	Opened Height
CM	W x H	D	C
12 x 12	9 x 9	6	6 1/2
		8	7 1/2
24 x 24	9 x 9	6	6 1/2
		8	7 1/2
	12 x 12	8	7 1/2
		10	8 1/2
15 x 15	10	8 1/2	
	12	9 1/2	
18 x 18	14	10 1/2	
	12	9 1/2	
		14	10 1/2

Note: If square ceiling module is more than 3" (76) larger than the duct size, a module sized extended panel is utilized.

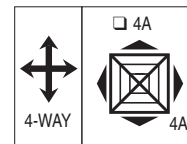
ITEMS:

1. Flexible air duct (UL Class 0 or 1) connector or steel duct.
2. U.L. Listed fusible link. 212°F (100°C) standard.
3. Ceiling radiation damper (Model 0722).
4. Ceramic fibre thermal blanket accessory (Model 0725).
5. Corrosion resistant steel diffuser.
6. Adjustable vane.

DESCRIPTION:

1. All models are classified for use in UL/ULC restrained or unrestrained floor/ceiling and or roof/ceiling assemblies which incorporate an exposed grid suspended ceiling (lay-in T-bar) with up to a 3 hour rating. For details of fire rated assemblies, see the current UL or ULC Fire Resistance Directory.
2. A high capacity ceiling diffuser available in a 4-way blow pattern as standard. It provides a tight horizontal air flow pattern from maximum to

Core Selection



Model 6555FRD is available in core style 4A only.

minimum air flow. Ideal for VAV applications. The unit is provided with independent movable vanes on all four sides to provide a horizontal to vertical throw adjustable discharge.

3. Spring-loaded removable core.
4. The fixed radiation damper is standard. The adjustable ceiling radiation damper (Model 0722A) with volume control for balancing is optional.
5. Standard finish is AW Appliance White.

OPTIONS:

1. AV Fusible link adjustable volume control (Model 0722A damper)
2. Non-std. temperature U.L. Listed fusible link. 165°F (74°C)
3. Finish: WH Off-white SP Special

For installation instructions, see IOM-CRSDINST or IOM-CRDTBINST.

SCHEDULE TYPE:	Dimensions are in inches (mm).			
PROJECT:				
ENGINEER:	DATE	B SERIES	SUPERSEDES	DRAWING NO.
CONTRACTOR:	11 - 24 - 16	6500FRD	5 - 11 - 15	6500FRD-4