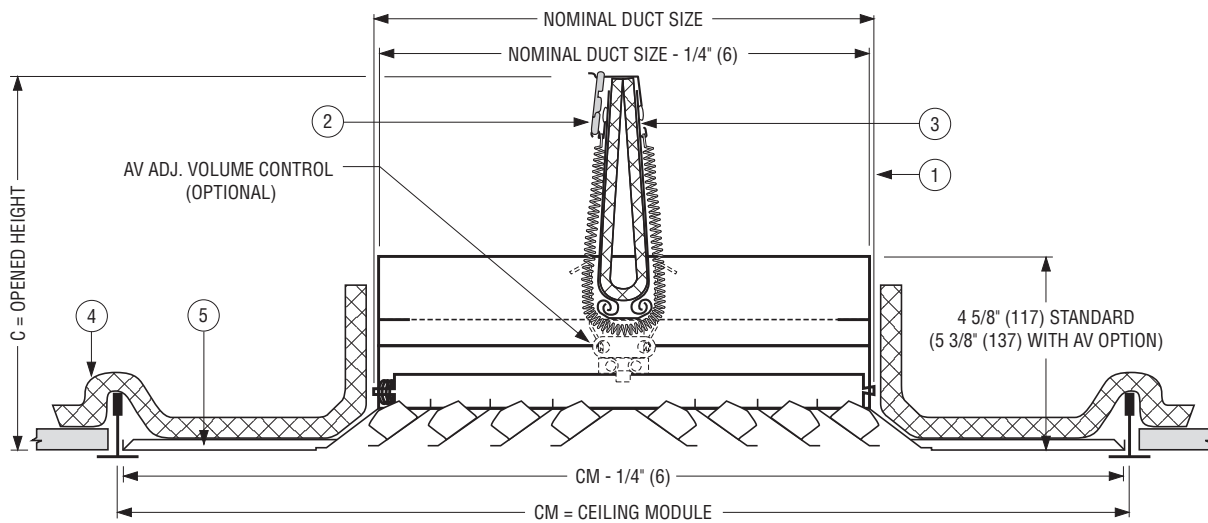




FIRE RATED PATTERN CEILING DIFFUSER
STEEL • SQUARE NECK • INDUCTION VANES
MODEL: 6500IVFRD



CLASSIFIED
 C UL US
 CATEGORY
 CABS & CABST



Dimensional Data and Sizing Availability:

Ceiling Module CM	Nominal Duct Size (square)	Opened Height C	
		Standard	With AV Option
12 x 12	6 x 6	5 3/4	6 1/2
	9 x 9	7 1/4	8
24 x 24	6 x 6	5 3/4	6 1/2
	9 x 9	7 1/4	8
	12 x 12	9	9 3/4
	15 x 15	10 1/4	11
	18 x 18	11 3/4	N/A
	21 x 21	13 1/4	N/A

Note: If square ceiling module is more than 3" (76) larger than the duct size, a module sized extended panel is utilized.

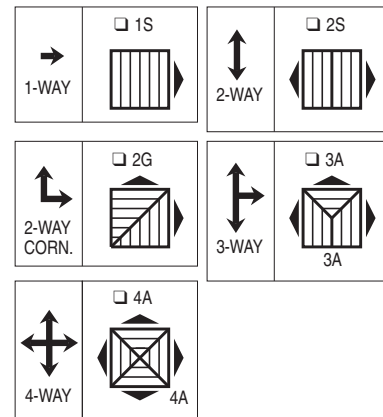
ITEMS:

1. Steel duct drop (by others).
2. U.L. Listed fusible link. 212°F (100°C) standard.
3. Ceiling radiation damper (Model 0716).
4. Ceramic fibre thermal blanket accessory (Model 0726).
5. Corrosion resistant steel diffuser.

DESCRIPTION:

1. All models are classified for use in UL/ULC restrained or unrestrained floor/ceiling and or roof/ceiling assemblies which incorporate an exposed grid suspended ceiling (lay-in T-bar) with up to a 3 hour rating. For details of fire rated assemblies, see the current UL or ULC Fire Resistance Directory.
2. A high capacity ceiling diffuser available in 1, 2, 3 or 4-way blow patterns to provide a tight horizontal air flow pattern from maximum to minimum air flow. Induction vanes cause air to emerge from each louver at alternating angles, producing high induction rates and rapid temperature equalization. Ideal for VAV applications.

Core Selection



3. Spring-loaded removable core.
4. The fixed radiation damper is standard. The adjustable ceiling radiation damper (Model 0716A) w/volume control for balancing is optional.
5. Standard finish is AW Appliance White.

OPTIONS:

1. AV Fusible link adjustable volume control (Model 0716A damper). Max. square duct size is 15 x 15 (381 x 381).
2. Non-standard temperature U.L. Listed fusible link. 165°F (74°C)
3. Finish: WH Off-white SP Special

For installation instructions, see IOM-CRDSINST or IOM-CRDTBINST.

SCHEDULE TYPE:	Dimensions are in inches (mm).			
PROJECT:				
ENGINEER:	DATE	B SERIES	SUPERSEDES	DRAWING NO.
CONTRACTOR:	11 - 24 - 16	6500FRD	5 - 11 - 15	6500FRD-5