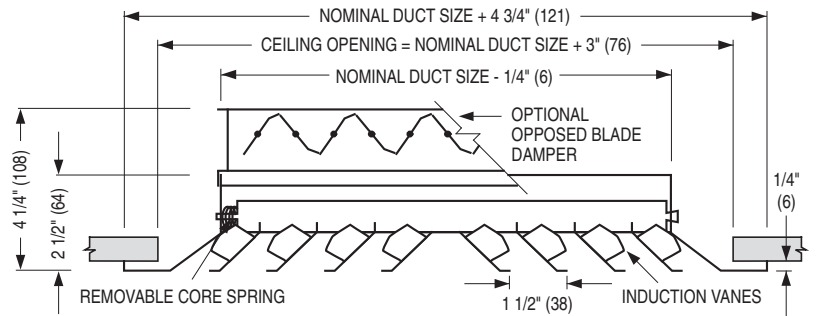
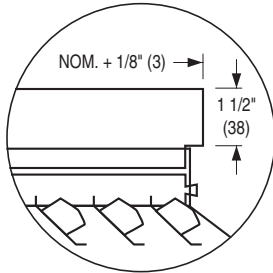


**PATTERN CEILING DIFFUSERS
WITH IV INDUCTION VANES**
STEEL • SQUARE, RECTANGULAR OR ROUND NECK
MODELS: 6500IV AND 6500IV-O TYPES S & B

OFFSET NECK OPTION

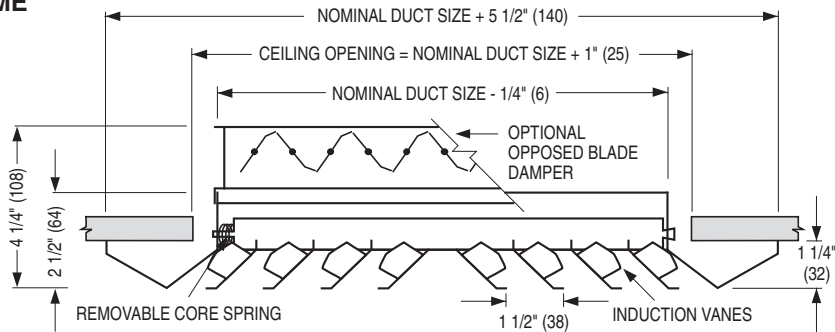


TYPE S • SURFACE MOUNT • FLAT FRAME

Minimum duct size: 6 x 6 (152 x 152)
Maximum duct size: 36 x 36 (914 x 914) or
36 x 24 (914 x 610) with O.B.D.
Available in 3" (76) increments only.

TYPE B • BEVELED DROP FACE • SURFACE MOUNT

Minimum duct size: 6 x 6 (152 x 152)
Maximum duct size: 36 x 36 (914 x 914) or
36 x 24 (914 x 610) with O.B.D.
Available in 3" (76) increments only.



CORE STYLE SELECTION

| | SQUARE | RECTANGULAR | |
|-------------------|-----------------------------|---|---|
| → 1-WAY | <input type="checkbox"/> 1S | <input type="checkbox"/> 1A | <input type="checkbox"/> 1B |
| ↕ 2-WAY | <input type="checkbox"/> 2S | <input type="checkbox"/> 2A | <input type="checkbox"/> 2B |
| ↙ 2-WAY CORNER | <input type="checkbox"/> 2G | <input type="checkbox"/> 2E | <input type="checkbox"/> 2F |
| ↕ 3-WAY | <input type="checkbox"/> 3A | <input type="checkbox"/> 3A1 (A is greater than B) | <input type="checkbox"/> 3A2 (B is less than A but greater than A/2) |
| | | <input type="checkbox"/> 3B (B is equal to A/2) | <input type="checkbox"/> 3E (B is less than A/2) |
| ↕ 4-WAY | <input type="checkbox"/> 4A | <input type="checkbox"/> 4B | <input type="checkbox"/> 4C |

Patterns are shown in plan view (looking down into inlet).

DESCRIPTION:

1. Material: Corrosion-resistant steel.
2. Model 6500IV is a high capacity ceiling diffuser available in 1, 2, 3 or 4-way blow patterns to provide a tight horizontal airflow pattern from maximum to minimum airflow. The induction vanes consist of a set of 45° angled diffusion vanes spaced 1 1/2" (38) apart on the back of each diffuser louver. Vane sets on adjacent parallel louvers run in opposite directions and cause primary air to emerge from each louver at alternating angles. The resulting turbulent discharge air jets produce high induction rates and rapid temperature equalization, making the diffuser eminently suitable for VAV applications as the possibility of downdrafts (dumping) are eliminated.
3. Spring-loaded removable core.
4. Standard finish is AW Appliance White.

OPTIONS:

SQUARE AND RECTANGULAR NECK

- Steel opposed blade damper. Model 6500IV-O.
- ONA Offset neck adaptor. Fits outside duct (if a damper is required, order separately for remote mount. See Model OBDD).

ROUND NECK

- SR Square to round transition collar
- SR-O Square to round transition collar for use over O.B.D.
- 4275 Radial Opposed Blade Damper (round)
- 4250 Radial Sliding Blade Damper (round)
- 4675 Butterfly Damper (round)

EXTERNAL INSULATION

- EX External Foil-Back Insulation, installed - R - 4.2.

OPTIONAL FINISH:

- SP Special. Specify _____ .

Dimensions are in inches (mm).

SCHEDULE TYPE:

PROJECT:

ENGINEER:

CONTRACTOR:

DATE

B SERIES

SUPERSEDES

DRAWING NO.

11 - 24 - 16

6500

2 - 12 - 16

6500IV-1