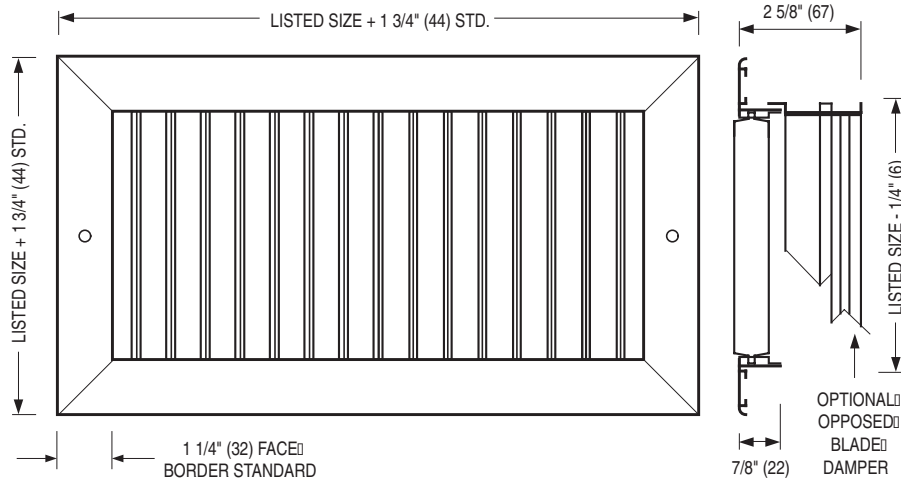




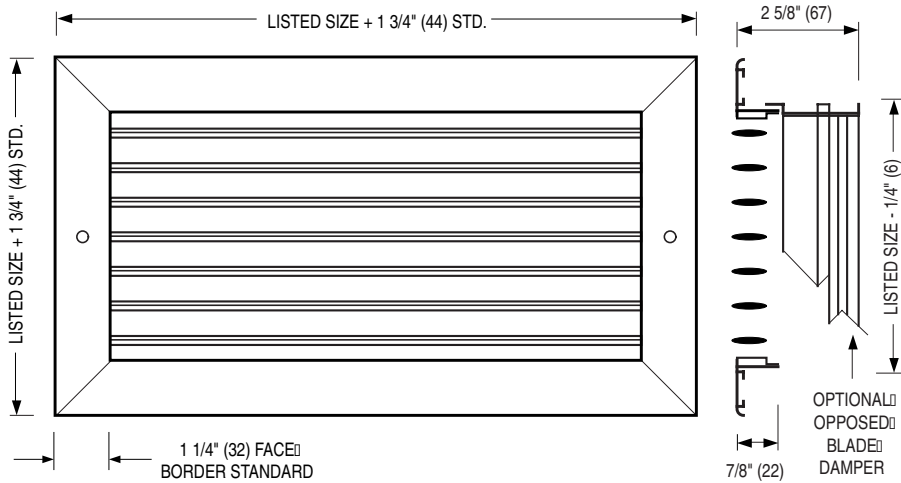
**ALUMINUM AIRFOIL BLADE
SUPPLY GRILLES & REGISTERS**
SINGLE DEFLECTION • ADJUSTABLE
MODELS: 71SV(-O) AND 71SH(-O)



Frame/Border Type S:
Surface Mount

Model 71SV
Single Deflection Grille
Vertical Front Blades

Model 71SV-O
Single Deflection Register
Vertical Front Blades
(Includes O. B. Damper)



Frame/Border Type S:
Surface Mount

Model 71SH
Single Deflection Grille
Horizontal Front Blades

Model 71SH-O
Single Deflection Register
Horizontal Front Blades
(Includes O. B. Damper)

DESCRIPTION:

1. Construction: Extruded aluminum. Rigid heavy-gauge frame mechanically interlocked with reinforced mitered corners. A single set of streamlined airfoil shaped solid blades on 3/4" (19) centers provide air control in a single plane. Blades are adjustable and individually pivoted to ensure positive positioning when adjusted to desired deflection setting.
2. Optional roll-formed steel opposed blade damper has a screw driver slot operator accessible through face of register.
3. Minimum size is 4" x 4" (102 x 102).
Maximum size one piece construction is 48" x 48" (1219 x 1219).
4. Type S Surface mount standard frame has 1" (25) overlap margin. Available in multiple sections with mullions - see submittal OG-1-A.
5. Standard fastening is Type A countersunk screw holes.
6. Standard finish is AW Appliance White.

OPTIONS:

1. Finish:
 - SA Satin (clear) anodized
 - SP Special _____ .
2. Fastening:
 - Type C Concealed mounting straps
 - Type D Concealed screw holes in neck
 - Type N None.
3. OA Aluminum Opposed Blade Damper
4. Type NF Narrow frame with 1" (25) face border and a 3/4" (19) overlap margin. O.A. flange to flange dim. = listed size + 1 1/4" (32).
5. PF Plaster sub-frame
6. IS Insect screen

SCHEDULE TYPE:

PROJECT:

ENGINEER:

CONTRACTOR:

Page 1 of 2 Dimensions are in inches (mm).

DATE	B SERIES	SUPERSEDES	DRAWING NO.
9 - 1 - 20	7100	2 - 1 - 11	7100-1

Panel Mounted/Ceiling Modules

Border Type PLS: Steel Lay-in Panel

Border Type PLA: Aluminum Lay-in Panel

The grille or register is mounted in an extended panel to suit standard T-Bar Lay-in type ceilings.

Border Type FPS: Steel Fineline® Panel

Border Type FPA: Aluminum Fineline® Panel

The grille or register is mounted in an extended panel that will fit a 9/16" (14) narrow regressed (bolt slot) T-Bar ceiling grid or 9/16" (14) Flat T-Bar with tegular ceiling tile.

Border Type SPS: Steel Spline Panel

Border Type SPA: Aluminum Spline Panel

The grille or register is mounted in an extended panel to suit spline type ceiling modules. CM 24" x 24" (600 x 600) only.

Border Type MPS: Steel Metal Pan Panel

Border Type MPA: Aluminum Metal Pan Panel

The grille or register is mounted in an extended panel to suit metal pan ceilings that have snap-in type ceiling modules. CM 24" x 24" (600 x 600) only.

Border Type TPS: Steel Tegular Panel

Border Type TPA: Aluminum Tegular Panel

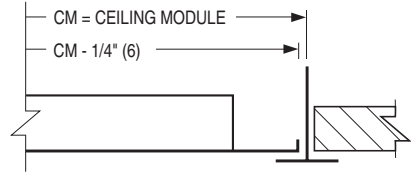
The grille or register is mounted in a panel that will extend below a 15/16" (24) Flat T-Bar ceiling grid.

**Available Border Type PL, FP and TP
Ceiling Module Sizes**

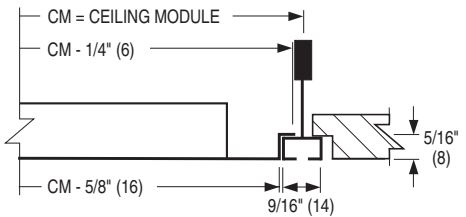
Ceiling Module	
Imperial Units (in.)	Metric Units (mm)
12 x 12	300 x 300
24 x 12	600 x 300
36 x 12	900 x 300
48 x 12	1200 x 300
20 x 20	500 x 500
24 x 24	600 x 600
36 x 24	900 x 600
48 x 24	1200 x 600

Maximum grille neck size is CM Ceiling Module – 3" (76).

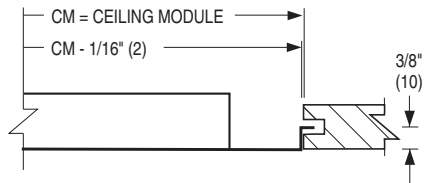
Type PL (S or A) Lay-in Panel



Type FP (S or A) Fineline® Panel

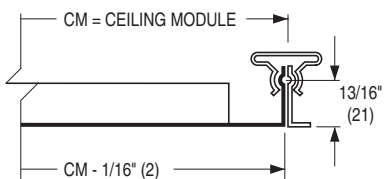


Type SP (S or A) Spline Panel

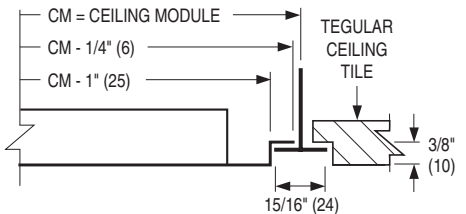


Note: Splines on two opposite sides.

Type MP (S or A) Metal Pan Panel



Type TP (S or A) Tegular Panel



SCHEDULE TYPE:

PROJECT:

ENGINEER:

CONTRACTOR:

Page 2 of 2 Dimensions are in inches (mm).

DATE

B SERIES

SUPERSEDES

DRAWING NO.

9 - 1 - 20

7100

2 - 1 - 11

7100-1